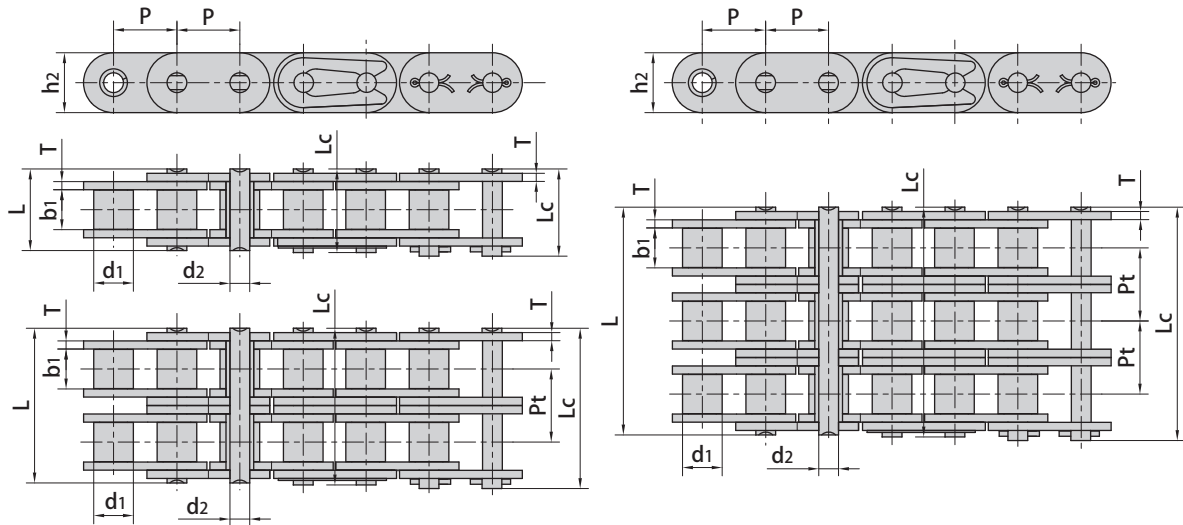


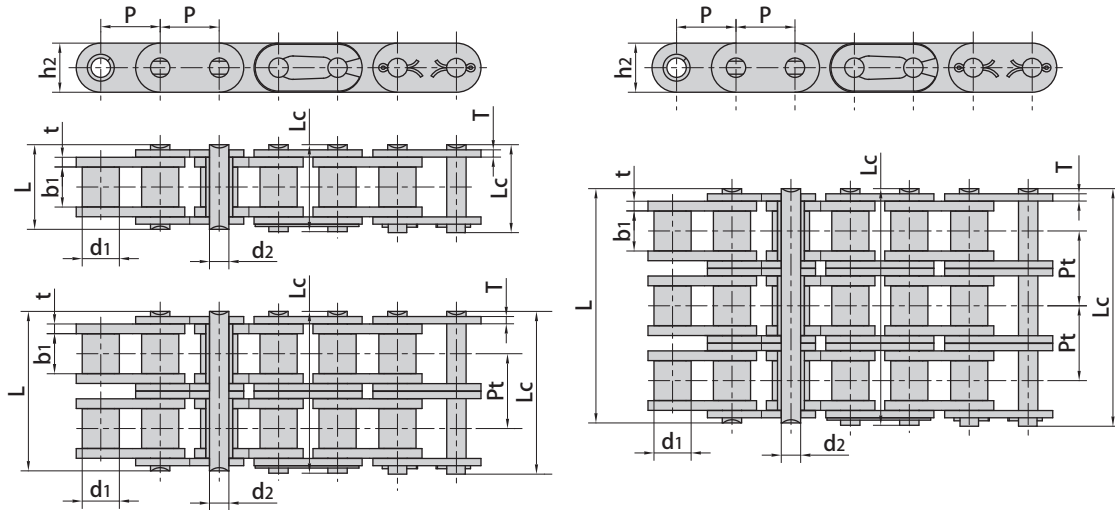
Roller chains with straight side plates (A series)



Donghua Chain No.	Pitch	Roller diameter		Width between inner plates		Pin diameter		Pin length		Inner plate depth	Plate thickness	Transverse pitch	Ultimate tensile strength	Average tensile strength	Weight per meter				
		P	d1	b1	d2	L	Lc	h2	T							Pt	Q	Q0	q
		mm	mm	mm	mm	mm	mm	mm	mm							mm	mm	kN/lbf	kN
*C35-1	9.525	5.08	4.77	3.58	13.3	14.3	9.00	1.30	-	7.9/1795	10.8	0.41							
C08A-1	C40-1	12.700	7.95	7.85	3.96	16.6	18.8	12.00	1.50	-	14.1/3273	17.5	0.73						
C10A-1	C50-1	15.875	10.16	9.40	5.08	20.7	23.3	15.09	2.03	-	22.2/5045	29.4	1.23						
C12A-1	C60-1	19.050	11.91	12.57	5.94	25.9	28.3	18.0/18.2	2.42	-	31.8/7227	41.5	1.81/1.83						
C16A-1	C80-1	25.400	15.88	15.75	7.92	32.7	36.5	24.00	3.25	-	56.7/12886	69.4	3.09						
C20A-1	C100-1	31.750	19.05	18.90	9.53	40.4	44.7	30.00	4.00	-	88.5/20114	109.2	4.56						
C24A-1	C120-1	38.100	22.23	25.22	11.10	50.3	54.3	35.70	4.80	-	127.0/28864	156.3	6.86						
C28A-1	C140-1	44.450	25.40	25.22	12.70	54.4	59.0	41.00	5.60	-	172.4/39182	212.0	8.49						
C32A-1	C160-1	50.800	28.58	31.55	14.27	64.8	69.6	47.80	6.40	-	226.8/51545	278.9	11.50						
C08A-2	C40-2	12.700	7.95	7.85	3.96	31.0	33.2	12.00	1.50	14.38	28.2/6409	35.9	1.43						
C10A-2	C50-2	15.875	10.16	9.40	5.08	38.9	41.4	15.09	2.03	18.11	44.4/10091	58.1	2.42						
C12A-2	C60-2	19.050	11.91	12.57	5.94	48.8	51.1	18.0/18.2	2.42	22.78	63.6/14455	82.1	3.58/3.62						
C16A-2	C80-2	25.400	15.88	15.75	7.92	62.7	65.8	24.00	3.25	29.29	113.4/25773	141.8	6.12						
C20A-2	C100-2	31.750	19.05	18.90	9.53	76.4	80.5	30.00	4.00	35.76	177.0/40227	219.4	9.08						
C24A-2	C120-2	38.100	22.23	25.22	11.10	95.8	99.7	35.70	4.80	45.44	254.0/57727	314.9	13.60						
C28A-2	C140-2	44.450	25.40	25.22	12.70	103.3	107.9	41.00	5.60	48.87	344.8/78364	427.5	16.86						
C32A-2	C160-2	50.800	28.58	31.55	14.27	123.3	128.1	47.80	6.40	58.55	453.6/103091	562.4	22.90						
C08A-3	C40-3	12.700	7.95	7.85	3.96	45.4	47.6	12.00	1.50	14.38	42.3/9614	50.0	2.14						
C10A-3	C50-3	15.875	10.16	9.40	5.08	57.0	59.5	15.09	2.03	18.11	66.6/15136	77.8	3.62						
C12A-3	C60-3	19.050	11.91	12.57	5.94	71.5	73.9	18.0/18.2	2.42	22.78	95.4/21682	111.1	5.36/5.41						
C16A-3	C80-3	25.400	15.88	15.75	7.92	91.7	95.1	24.00	3.25	29.29	170.1/38659	198.4	9.10						
C20A-3	C100-3	31.750	19.05	18.90	9.53	112.2	116.3	30.00	4.00	35.76	265.5/60341	309.6	13.60						
C24A-3	C120-3	38.100	22.23	25.22	11.10	141.4	145.2	35.70	4.80	45.44	381.0/86591	437.2	20.43						
C28A-3	C140-3	44.450	25.40	25.22	12.70	152.2	156.8	41.00	5.60	48.87	517.2/117545	593.3	25.23						
C32A-3	C160-3	50.800	28.58	31.55	14.27	181.8	186.6	47.80	6.40	58.55	680.4/154636	780.6	34.19						

*Bush chain: d1 in the table indicates the external diameter of the bush.

Roller chains with straight side plates (B series)

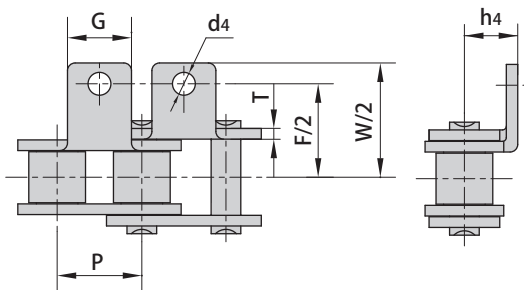


Donghua Chain No.	Pitch	Roller diameter	Width between inner plates	Pin diameter	Pin length		Inner plate depth	Plate thickness	Transverse pitch	Ultimate tensile strength	Average tensile strength	Weight per meter
	P	d1 max	b1 min	d2 max	L max	Lc max	h2 max	t/T max	Pt	Q min	Q0	q
	mm	mm	mm	mm	mm	mm	mm	mm	mm	kN/lbf	kN	kg/m
C08B-1	12.700	8.51	7.75	4.45	16.7	18.2	11.8	1.60	-	18.0/4091	19.5	0.80
C10B-1	15.875	10.16	9.65	5.08	19.5	20.9	14.7	1.70	-	22.4/5091	27.9	1.06
C12B-1	19.050	12.07	11.68	5.72	22.5	25.2	16.0	1.85	-	29.0/6591	32.2	1.32
C16B-1	25.400	15.88	17.02	8.28	36.1	39.1	21.0/24.0	4.15/3.1	-	60.0/13636	72.8	3.08/3.49
C20B-1	31.750	19.05	19.56	10.19	41.3	45.0	26.4	4.5/3.5	-	95.0/21591	106.7	4.16
C24B-1	38.100	25.40	25.40	14.63	53.4	57.8	33.2	6.0/4.8	-	160.0/36364	178.0	7.47
C28B-1	44.450	27.94	30.99	15.90	65.1	69.5	36.7	7.5/6.0	-	200.0/45455	222.0	9.90
C32B-1	50.800	29.21	30.99	17.81	66.0	71.0	42.0	7.0/6.0	-	250.0/56818	277.5	10.45
C08B-2	12.700	8.51	7.75	4.45	31.2	32.2	11.8	1.60	13.92	32.0/7273	38.7	1.45
C10B-2	15.875	10.16	9.65	5.08	36.1	37.5	14.7	1.70	16.59	44.5/10114	57.8	2.00
C12B-2	19.050	12.07	11.68	5.72	42.0	44.7	16.0	1.85	19.46	57.8/13136	66.1	2.62
C16B-2	25.400	15.88	17.02	8.28	68.0	71.0	21.0/24.0	4.15/3.1	31.88	106.0/24091	133.0	6.10/6.92
C20B-2	31.750	19.05	19.56	10.19	77.8	81.5	26.4	4.5/3.5	36.45	170.0/38636	211.2	8.23
C24B-2	38.100	25.40	25.40	14.63	101.7	106.2	33.2	6.0/4.8	48.36	280.0/63636	319.2	14.77
C28B-2	44.450	27.94	30.99	15.90	124.6	129.1	36.7	7.5/6.0	59.56	360.0/81818	406.8	19.82
C32B-2	50.800	29.21	30.99	17.81	124.6	129.6	42.0	7.0/6.0	58.55	450.0/102273	508.5	20.94
C08B-3	12.700	8.51	7.75	4.45	45.1	46.1	11.8	1.60	13.92	47.5/10795	57.8	2.10
C10B-3	15.875	10.16	9.65	5.08	52.7	54.1	14.7	1.70	16.59	66.7/15159	84.5	2.87
C12B-3	19.050	12.07	11.68	5.72	61.5	64.2	16.0	1.85	19.46	86.7/19705	101.8	3.89
C16B-3	25.400	15.88	17.02	8.28	99.8	102.9	21.0/24.0	4.15/3.1	31.88	160.0/36364	203.7	9.12/10.34
C20B-3	31.750	19.05	19.56	10.19	114.2	117.9	26.4	4.5/3.5	36.45	250.0/56818	290.0	11.34
C24B-3	38.100	25.40	25.40	14.63	150.1	154.6	33.2	6.0/4.8	48.36	425.0/96591	493.0	22.10
C28B-3	44.450	27.94	30.99	15.90	184.2	188.7	36.7	7.5/6.0	59.56	530.0/120454	609.5	29.64
C32B-3	50.800	29.21	30.99	17.81	183.2	188.2	42.0	7.0/6.0	58.55	670.0/152273	770.5	31.27

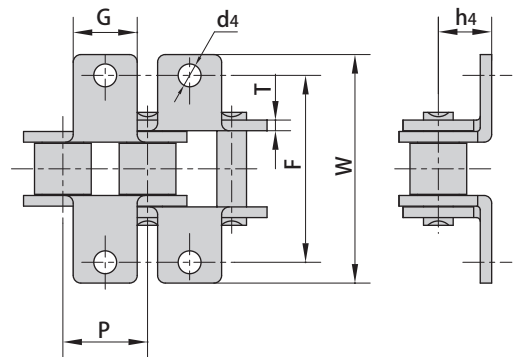
Short pitch conveyor chain attachments



A-1



K-1



DIN/ISO Chain No.	ANSI Chain No.	P	G	F	W	T	h4	d4
		mm	mm	mm	mm	mm	mm	mm
04C	25	6.350	5.6	13.80	23.2	0.80	4.30	3.4
06C	35	9.525	7.9	19.00	28.6	1.30	6.35	3.4
08A	40	12.700	9.5	25.40	35.2	1.50	7.90	3.4
085	41	12.700	9.5	24.00	33.4	1.30	6.90	3.6
10A	50	15.875	12.7	31.75	46.2	2.03	10.30	5.5
12A	60	19.050	15.9	38.10	55.6	2.42	11.90	5.5
16A	80	25.400	19.1	50.80	64.8	3.25	15.90	6.8
20A	100	31.750	25.4	63.50	89.8	4.00	19.80	9.2
24A	120	38.100	28.6	76.20	108.5	4.80	23.00	9.8
28A	140	44.450	34.9	88.90	123.0	5.60	28.60	11.4
32A	160	50.800	38.1	101.60	142.8	6.40	31.75	13.1
40A	200	63.500	50.8	127.00	179.0	8.00	42.88	16.3
*06B		9.525	8.0	19.04	27.0	1.30	6.50	3.5
08B		12.700	9.5	25.40	36.4	1.60	8.90	4.5
10B		15.875	14.3	31.75	44.6	1.70	10.31	5.3
12B		19.050	16.0	38.10	52.4	1.85	13.46	6.4
16B		25.400	19.1	50.80	72.6	3.10	15.88	6.4
20B		31.750	35.0	63.50	100.5	3.50	19.80	9.0
24B		38.100	30.0	76.20	108.4	4.80	26.67	10.5
28B		44.450	35.0	88.90	123.0	6.00	28.58	13.1
32B		50.800	38.1	101.60	142.8	6.00	31.75	13.1

*Straight side plates

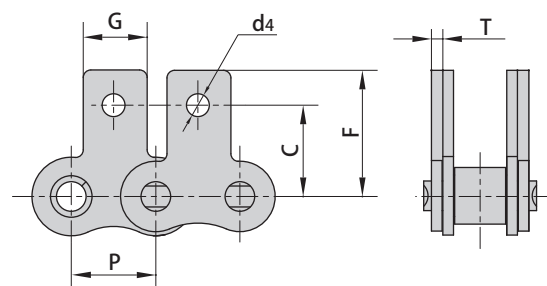
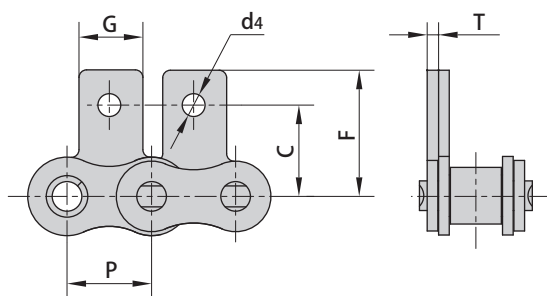
Short pitch conveyor chain attachments



SA-1/M1(one side)



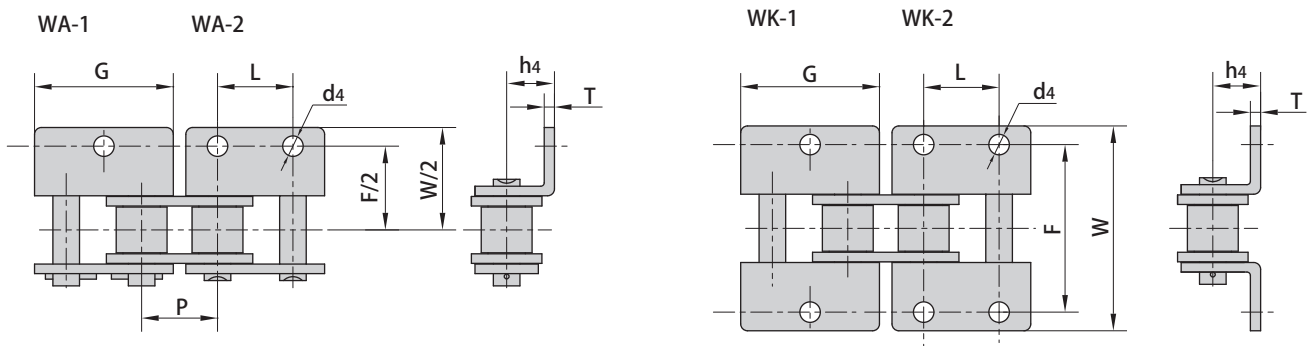
SK-1/M1(both sides)



DIN/ISO Chain No.	ANSI Chain No.	P	G	C	F	T	d4
		mm	mm	mm	mm	mm	mm
04C	25	6.350	5.6	7.95	11.70	0.80	3.4
06C	35	9.525	7.9	9.50	14.55	1.30	3.4
08A	40	12.700	9.5	12.70	19.05	1.50	3.4
085	41	12.700	9.5	11.85	16.55	1.30	3.6
10A	50	15.875	12.7	15.90	25.25	2.03	5.5
12A	60	19.050	15.9	18.30	29.33	2.42	5.5
16A	80	25.400	19.1	24.60	34.70	3.25	6.8
20A	100	31.750	25.4	31.80	43.30	4.00	9.2
24A	120	38.100	28.6	36.50	51.60	4.80	9.8
28A	140	44.450	34.9	44.50	62.00	5.60	11.4
32A	160	50.800	38.1	50.80	69.85	6.40	13.1
40A	200	63.500	50.8	63.50	88.90	8.00	16.3
*06B		9.525	8.0	9.52	13.50	1.30	3.5
08B		12.700	9.5	13.35	18.90	1.60	4.3
10B		15.875	14.3	16.50	22.95	1.70	5.3
12B		19.050	16.0	21.45	28.60	1.85	6.4
16B		25.400	19.1	23.15	34.00	3.10	6.4
20B		31.750	35.0	30.50	45.70	3.50	9.0
24B		38.100	36.0	36.00	61.50	4.80	10.5

*Straight side plates

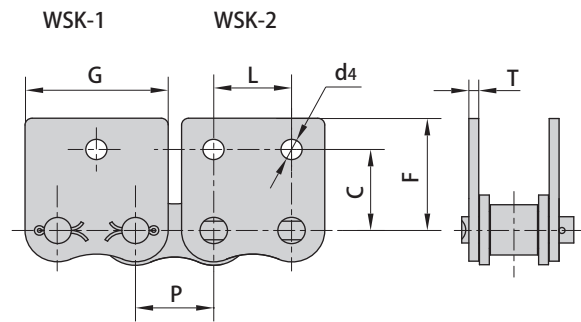
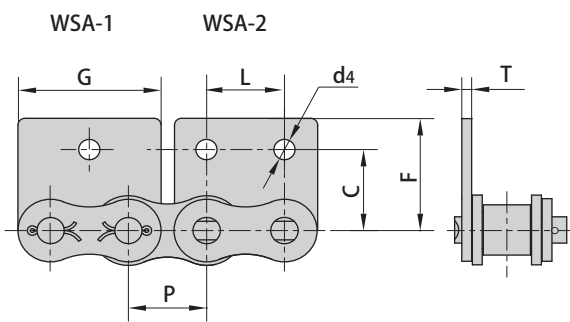
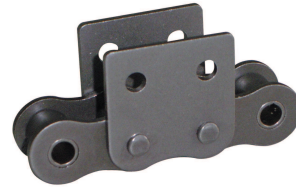
Short pitch conveyor chain attachments



DIN/ISO Chain No.	ANSI Chain No.	P	G	L	F	W	T	h4	d4
		mm	mm	mm	mm	mm	mm	mm	mm
04C	25	6.350	11.41	6.350	13.80	23.2	0.80	4.30	3.40
06C	35	9.525	17.32	9.525	19.00	28.6	1.30	6.35	2.80
08A	40	12.700	23.00	12.700	25.40	35.6	1.50	7.90	3.40
085	41	12.700	22.30	12.700	24.00	35.0	1.30	7.20	4.85
10A	50	15.875	28.80	15.875	31.75	46.8	2.03	10.30	5.50
12A	60	19.050	34.65	19.050	38.10	56.4	2.42	11.90	5.50
16A	80	25.400	45.90	25.400	50.80	73.2	3.25	15.90	6.80
20A	100	31.750	57.65	31.750	63.50	89.8	4.00	19.80	9.20
24A	120	38.100	69.30	38.100	76.20	108.8	4.80	23.00	9.80
28A	140	44.450	80.45	44.450	88.90	123.0	5.60	28.60	11.40
32A	160	50.800	92.00	50.800	101.60	142.8	6.40	31.75	13.10
40A	200	63.500	115.50	63.500	127.00	179.0	8.00	42.88	16.30
*06B		9.525	17.72	9.525	19.04	27.0	1.30	6.50	3.50
08B		12.700	24.00	12.700	25.40	36.4	1.60	8.90	4.30
10B		15.875	29.58	15.875	31.80	44.6	1.70	10.31	5.30
12B		19.050	34.05	19.050	38.10	52.4	1.85	13.46	6.40
16B		25.400	46.40	25.400	50.80	72.6	3.10	15.88	6.40
20B		31.750	58.10	31.750	63.00	100.5	3.50	19.80	9.00
24B		38.100	71.30	38.100	76.20	108.4	4.80	26.67	10.50
28B		44.450	81.10	44.450	88.90	123.0	6.00	28.58	13.10
32B		50.800	92.80	50.800	101.60	142.8	6.00	31.75	13.10

*Straight side plates

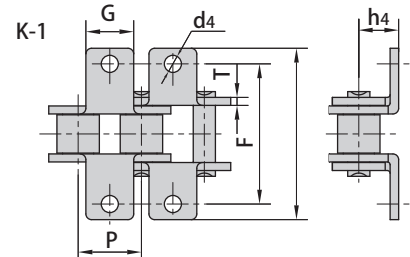
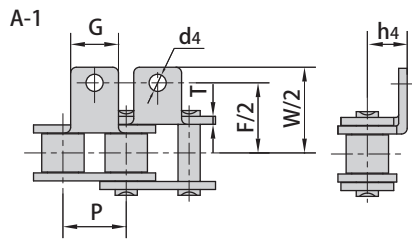
Short pitch conveyor chain attachments



DIN/ISO Chain No.	ANSI Chain No.	P	G	L	C	F	T	d4
		mm	mm	mm	mm	mm	mm	mm
04C	25	6.350	11.41	6.350	7.95	11.70	0.80	3.4
06C	35	9.525	17.32	9.525	9.50	14.55	1.30	2.8
08A	40	12.700	23.00	12.700	12.70	17.40	1.50	3.4
085	41	12.700	21.20	12.700	11.85	16.55	1.30	3.6
10A	50	15.875	28.80	15.875	15.90	23.05	2.03	5.5
12A	60	19.050	34.65	19.050	18.30	26.86	2.42	5.5
16A	80	25.400	45.90	25.400	24.60	35.45	3.25	6.8
20A	100	31.750	57.65	31.750	31.80	44.00	4.00	9.2
24A	120	38.100	69.30	38.100	36.50	51.60	4.80	9.8
28A	140	44.450	80.45	44.450	44.50	62.00	5.60	11.4
32A	160	50.800	92.00	50.800	50.80	69.85	6.40	13.1
40A	200	63.500	115.5	63.500	63.50	88.90	8.00	16.3
*06B		9.525	17.72	9.525	9.52	13.50	1.30	3.5
08B		12.700	23.30	12.700	13.35	18.90	1.60	4.3
10B		15.875	29.58	15.875	16.50	22.95	1.70	5.3
12B		19.050	34.05	19.050	21.45	28.60	1.85	6.4
16B		25.400	46.40	25.400	23.15	34.00	3.10	6.4
20B		31.750	58.10	31.750	30.50	45.70	3.50	9.0
24B		38.100	71.30	38.100	42.70	61.50	4.80	10.5

*Straight side plates

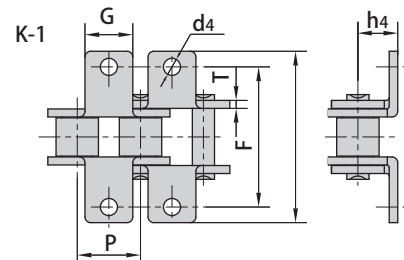
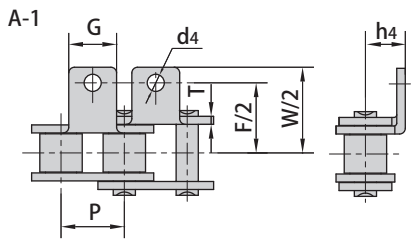
Short pitch conveyor chain attachments



Donghua Chain No.	P	G	F	W	T	h4	d4
	mm	mm	mm	mm	mm	mm	mm
04CA1F2	6.350	6.00	22.20	29.00	0.80	2.50	2.00
25K1F1	6.350	5.60	14.27	21.38	0.80	4.75	3.40
*06BK1F3	9.525	8.00	18.81	26.81	1.15	6.50	3.50
*C08AA1F1	12.700	10.00	25.40	33.40	1.50	9.10	3.40
08AA1F1	12.700	9.50	38.50	44.50	1.50	8.20	3.60
08AA1F10	12.700	9.60	28.00	36.20	1.50	8.50	3.20
08AA1F12	12.700	9.50	25.40	35.20	1.50	7.90	3.20
08AA1F2	12.700	9.50	25.40	35.20	1.50	7.90	4.85
08AA1F3	12.700	15.88	25.40	35.60	1.50	8.00	4.95
08AA1F6	12.700	9.50	25.40	35.20	1.50	7.90	5.00
08AA1F7	12.700	18.00	37.00	52.00	1.50	8.00	5.20
08AA1F9	12.700	9.60	55.40	62.50	1.50	7.50	4.20
08AK1F2	12.700	9.50	25.40	35.20	1.50	7.90	4.85
08AK1F4	12.700	9.50	25.39	35.19	1.50	7.90	5.50
08BA1F11	12.700	11.00	25.40	36.40	1.60	8.90	4.30
08BA1F16	12.700	12.30	27.80	42.80	1.60	21.00	5.20
08BA1F18	12.700	9.50	28.30	37.00	1.60	8.00	4.30
08BA1F2	12.700	11.40	38.60	49.60	1.60	8.90	3.50
08BA1F20	12.700	12.60	22.95	33.95	1.60	10.20	5.00
08BA1F28	12.700	9.50	25.40	34.52	1.60	9.95	4.00
08BA1F30	12.700	11.00	26.23	35.43	1.60	9.00	4.50
08BA1F33	12.700	10.00	30.40	38.80	1.60	8.20	3.10
08BA1F34	12.700	9.60	36.40	48.00	1.60	9.60	3.20
08BA1F39	12.700	9.50	36.40	44.00	1.60	9.50	3.20
08BA1F40	12.700	9.50	26.60	34.20	1.60	8.50	3.20
08BA1F41	12.700	12.50	35.00	43.00	1.60	9.00	3.70
08BA1F6	12.700	18.00	25.80	37.80	1.60	8.00	4.20
08BA1F8	12.700	11.20	21.85	32.85	2.50	8.90	4.30
08BA3F1	12.700	22.70	33.20	46.90	1.60	7.80	2.9/6.7
08BF30	12.700	18.00	27.20	40.00	1.60	8.00	4.30
08BK1F10	12.700	11.00	27.77	38.77	1.55	8.75	4.30
08BK1F14	12.700	11.00	25.57	36.57	1.60	8.90	6.50
08BK1F15	12.700	17.90	27.60	39.60	1.60	8.00	7.10
08BK1F26	12.700	11.00	26.50	36.00	1.60	8.80	4.40

*Straight side plates

Short pitch conveyor chain attachments



Donghua Chain No.	P	G	F	W	T	h4	d4
	mm	mm	mm	mm	mm	mm	mm
08BK1F29	12.700	12.50	26.20	38.00	1.60	10.00	4.50
08BK1F35	12.700	9.50	25.33	35.03	1.60	8.90	M3
08BK1F43	12.700	9.50	28.20	37.20	1.60	8.40	4.30
08BK1F44	12.700	11.50	26.00	36.00	1.60	8.50	4.20
08BK1F5	12.700	9.50	29.00	38.70	1.60	7.10	4.50
08BK1F7	12.700	9.50	29.00	39.00	1.60	7.00	4.50
08BK1F9	12.700	9.50	25.40	36.40	1.60	8.90	M4
08BF33	12.700	9.50	27.74	38.80	1.60	8.50	3.10
10AA1F10	15.875	12.70	31.80	46.20	2.03	10.30	M5
10AA1F11	15.875	12.70	31.80	46.20	2.03	25.30	5.50
10AHK1F1	15.875	12.70	34.00	48.40	2.42	10.30	M5
10AK1F3	15.875	14.29	31.75	46.20	2.03	10.30	5.50
10AK1F5	15.875	20.00	39.00	50.10	2.03	12.50	M5
10AK1F7	15.875	12.70	31.80	46.20	2.03	10.30	M6
10AK1F8	15.875	12.70	31.80	46.20	2.03	10.30	6.50
10AK1F9	15.875	20.00	38.97	50.07	2.03	12.50	5.50
10BA0F2	15.875	14.00	-	49.41	1.70	10.30	-
10BA0F3	15.875	14.00	-	46.51	1.70	10.40	-
10BA1F11	15.875	15.00	31.80	49.60	1.70	10.30	M5
10BA1F13	15.875	14.10	30.81	48.01	1.70	10.50	M5
10BA1F14	15.875	14.30	31.76	44.60	1.70	10.31	6.40
10BF11	15.875	14.00	-	51.81	1.70	10.40	-
10BK0F4	15.875	14.00	-	45.81	1.70	10.30	-
10BK1F12	15.875	13.00	32.41	50.11	1.70	11.00	6.00
10BK1F2	15.875	13.00	32.40	45.20	1.70	11.00	6.00
10BK1F3	15.875	13.00	32.41	51.11	1.70	10.50	6.00
10BK1F4	15.875	17.50	30.41	47.41	1.70	11.50	6.00
10BK1F5	15.875	13.00	29.41	42.21	1.70	10.00	5.50
10BK1F6	15.875	12.70	30.00	47.00	1.70	10.20	5.30
10BK1F7	15.875	14.00	31.50	49.60	1.70	10.30	5.50
10BK1F8	15.875	14.00	31.41	48.31	1.70	10.50	5.30
*C10BK0F1	15.875	13.00	-	35.00	1.70	10.30	-
12AA1F10	19.050	15.90	38.10	55.60	2.42	11.90	7.00
12AA1F7	19.050	15.90	38.10	55.50	2.42	11.90	6.00

*Straight side plates

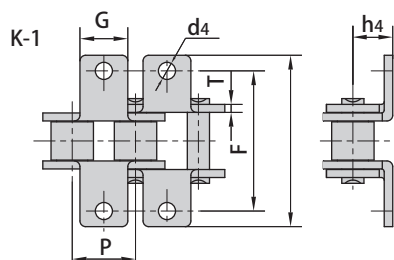
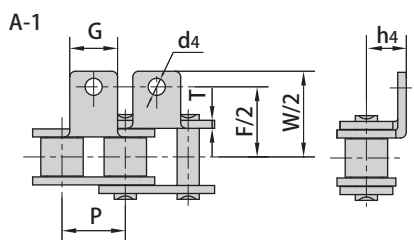
Short pitch conveyor chain attachments



Donghua Chain No.	P	G	F	W	T	h4	d4
	mm	mm	mm	mm	mm	mm	mm
12AK1F1	19.05	15.90	40.00	55.60	2.42	11.90	6.20
12AK1F4	19.05	15.90	38.10	55.50	2.42	11.90	M5
12AK1F7	19.05	15.90	38.10	55.60	2.42	11.90	6.00
12AK1F8	19.05	15.90	40.00	55.60	2.42	11.90	6.80
12BA0F1	19.05	36.10	-	56.75	1.85	12.00	-
12BA0F3	19.05	33.60	-	56.80	1.85	11.50	-
12BA1F1	19.05	16.00	38.10	52.40	1.85	13.46	8.20
12BA1F12	19.05	18.00	35.20	52.70	1.85	12.20	6.40
12BA1F18	19.05	24.00	35.45	51.75	1.85	12.00	6.60
12BA1F23	19.05	18.00	36.00	56.60	1.85	11.00	M6
12BFK1	19.05	16.50	40.00	54.80	1.85	12.00	6.60
12BK1F10	19.05	20.50	40.00	54.50	1.85	12.00	8.50
12BK1F11	19.05	16.00	38.15	52.55	1.85	13.46	10.00
12BK1F13	19.05	16.00	40.00	60.00	2.03	11.90	6.50
12BK1F15	19.05	18.00	37.00	54.60	1.85	12.20	6.40
12BK1F17	19.05	16.00	35.64	55.24	1.85	11.90	6.70
12BK1F19	19.05	18.00	36.00	55.40	1.85	12.00	6.60
12BK1F20	19.05	16.00	35.20	51.40	1.85	12.00	7.60
12BK1F24	19.05	18.50	37.20	58.00	1.85	11.00	M6
12BK1F4	19.05	16.00	38.10	52.40	1.85	13.46	6.40
12BK1F5	19.05	18.00	35.44	54.05	1.80	11.60	6.40
12BK1F6	19.05	16.00	35.00	52.40	1.85	13.46	6.40
12BK1F8	19.05	18.00	35.20	50.40	1.85	12.20	6.40
12BK1F9	19.05	16.00	24.80	39.00	1.85	13.46	6.40
*C12BA1F26	19.05	16.00	37.60	56.00	1.85	13.50	7.20
16AA1F12	25.40	19.10	44.00	64.80	3.25	15.90	6.00
16AA1F4	25.40	19.10	50.80	64.80	3.25	15.90	6.00
16AHA1F1	25.40	36.50	52.80	85.80	4.00	15.90	8.90
16AK1F10	25.40	19.10	50.80	64.80	3.25	15.90	10.00
16AK1F3	25.40	30.00	56.30	82.40	3.25	16.00	6.50
16AK1F5	25.40	25.40	44.00	56.00	3.25	15.90	6.00
16AK1F6	25.40	24.00	44.00	56.00	3.25	15.90	6.00
16AK1F8	25.40	25.00	57.80	74.90	3.25	14.50	6.80
16BA1F7	25.40	24.00	58.00	75.60	3.10	18.00	9.00

*Straight side plates

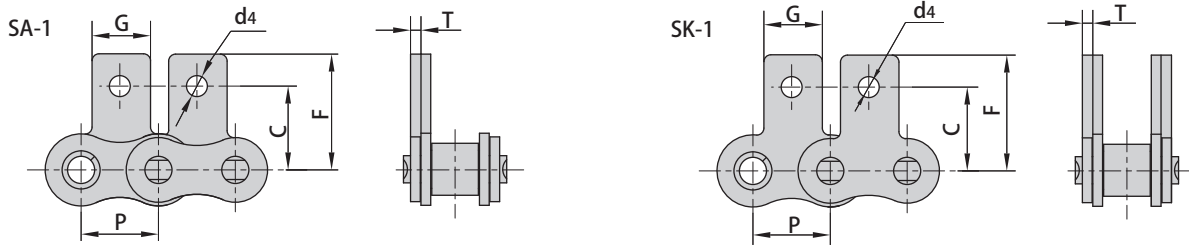
Short pitch conveyor chain attachments



Donghua Chain No.	P	G	F	W	T	h4	d4
	mm	mm	mm	mm	mm	mm	mm
16BK1F10	25.40	24.00	53.58	77.580	3.00	16.30	8.20
16BK1F11	25.40	26.00	58.00	74.600	4.00	18.00	9.00
16BK1F13	25.40	25.00	58.00	84.400	3.10	18.00	9.00
16BK1F15	25.40	25.00	68.00	130.000	3.10	17.00	9.10
16BK1F16	25.40	23.80	58.00	83.800	1.85	17.00	8.40
16BK1F17	25.40	25.00	50.80	70.200	4.15	20.20	9.10
16BK1F19	25.40	24.00	57.15	75.000	4.15	18.00	9.00
16BK1F3	25.40	19.10	50.80	72.600	3.10	15.88	8.20
16BK1F34	25.40	25.40	50.80	72.100	3.10	15.88	M6
16BK1F4	25.40	36.00	54.00	78.600	3.10	16.00	8.20
16BK1F41	25.40	24.00	57.62	75.620	3.10	20.20	8.40
16BK1F42	25.40	24.00	57.72	75.720	3.10	16.50	9.00
16BK1F43	25.40	24.00	58.00	75.600	3.10	18.00	10.00
16BK1F5	25.40	25.00	57.80	83.600	3.10	19.00	9.00
*C16BK1F40	25.40	36.00	54.02	78.620	3.10	16.00	8.20
20AHK1F1	31.75	25.40	61.08	87.675	4.80	19.81	10.30
20AK1F2	31.75	25.40	53.25	77.150	6.00	19.84	8.20
20AK1F3	31.75	25.40	63.50	87.300	4.00	19.80	8.70
20AK1F4	31.75	25.40	63.50	89.800	4.00	19.80	8.20
20AK1F5	31.75	26.00	68.00	88.000	4.00	23.50	11X8.6
20BA1F6	31.75	35.00	63.50	100.500	3.50	19.80	11.00
20BK1F2	31.75	26.00	68.00	88.000	4.50	23.50	9.60
20BK1F4	31.75	25.40	63.50	100.500	3.50	19.80	9.00
20BK1F5	31.75	35.00	65.00	94.200	3.50	19.80	12.50
20BK1F7	31.75	35.00	70.00	100.500	3.50	22.00	8.50
24AA1F1	38.10	28.60	76.20	111.600	4.80	23.80	9.80
24AA1F3	38.10	45.00	110.00	138.000	10.00	30.00	14.00
24AK1F4	38.10	28.60	88.90	108.800	4.80	23.00	12.00
24AK1F6	38.10	45.00	100.00	128.000	8.00	30.00	12.00
24AK1F7	38.10	30.00	77.00	101.600	4.80	30.00	11.00
28BK1F2	44.45	55.00	120.00	148.000	10.00	30.00	14.00
28BK1F3	44.45	74.00	108.00	155.000	6.00	32.00	13.00
28BK1F4	44.45	35.00	107.00	158.000	6.00	32.00	14.00

*Straight side plates

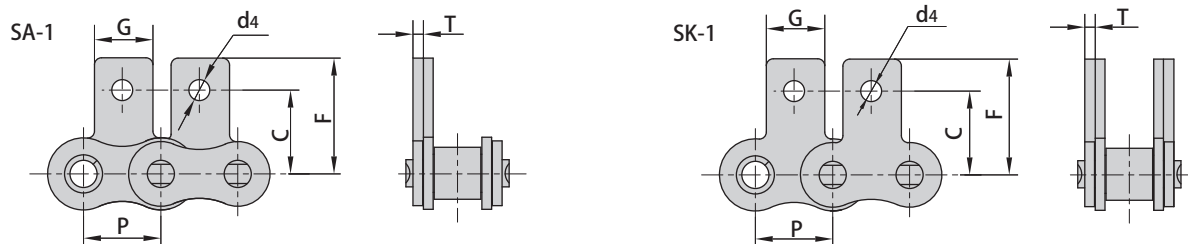
Short pitch conveyor chain attachments



Donghua Chain No.	P	G	C	F	T	d4
	mm	mm	mm	mm	mm	mm
05BSK1F2	8.000	8.00	7.50	11.50	0.80	3.00
05BSA1F1	8.000	8.00	8.00	11.50	0.80	3.10
35SK1F1	9.525	7.90	9.50	14.55	1.30	4.00
*06BSK1F2	9.525	8.00	9.50	13.50	1.15	3.50
08ASA1F3	12.700	9.60	12.70	17.30	1.50	3.60
08BSA1F1	12.700	18.00	15.00	21.50	1.60	6.30
08BSA1F8	12.700	12.50	14.70	20.30	1.60	4.50
08BSA1F9	12.700	12.50	14.70	20.30	1.60	4.50
08BSK1F2	12.700	11.00	13.40	18.90	1.60	4.30
08BSK1F3	12.700	11.00	14.10	19.50	1.55	4.30
08BSK1F4	12.700	11.00	13.35	18.90	1.60	6.50
08BSK1F5	12.700	9.50	13.35	18.90	1.60	6.30
08BSK1F6	12.700	11.00	14.30	19.30	1.60	4.30
08BSK1F7	12.700	11.00	13.00	20.80	1.60	4.45
08BSK1F12	12.700	12.50	14.70	20.30	1.60	5.00
08BSK0F4	12.700	11.00	-	45.00	1.60	-
08BSK0F7	12.700	10.00	-	23.80	1.60	-
10ASA0F2	15.875	28.50	-	93.00	2.03	-
10ASK1F1	15.875	20.00	15.68	22.88	2.03	8.50
10ASK1F3	15.875	12.70	15.25	23.60	2.03	5.30
10ASK1F6	15.875	12.70	15.90	25.25	2.03	6.10
10BSA1F3	15.875	24.00	16.00	24.20	1.70	5.10
10BSA0F1	15.875	8.22	-	29.52	1.70	-
12ASA1F4	19.050	15.90	18.30	29.33	2.42	8.50
12ASK1F1	19.050	15.90	18.30	29.33	2.42	6.10

*Straight side plates

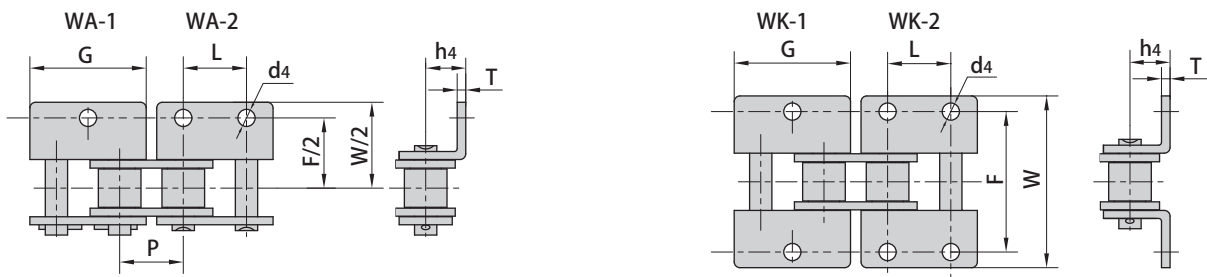
Short pitch conveyor chain attachments



Donghua Chain No.	P	G	C	F	T	d4
	mm	mm	mm	mm	mm	mm
12BSK0F1	19.050	15.00	-	26.50	1.85	-
12BSK1F1	19.050	18.00	18.20	28.10	1.80	6.40
12BSK1F2	19.050	18.00	18.30	26.10	1.85	6.20
12BSA1F3	19.050	17.00	16.00	26.60	1.85	8.00
16ASAF1	25.400	19.10	-	34.70	3.25	-
16ASAF2	25.400	19.10	-	34.70	3.25	-
*C16BSK0F1	25.400	25.00	-	25.00	4.15	-
*C16BSK0F3	25.400	23.94	-	22.20	3.10	-
*C16BSK0F4	25.400	46.90	-	20.50	3.10	-
16AWSK1F3	25.400	45.90	16.00	34.40	3.25	14.52
16BSK1F2	25.400	24.00	25.40	37.40	3.00	8.20
16BSK1F3	25.400	19.10	23.15	34.00	3.10	9.00
16BSA1F6	25.400	25.40	27.30	36.00	3.10	8.40
16BSK1F7	25.400	19.10	23.15	34.00	3.10	8.00
16BSK1F8	25.400	24.00	31.00	41.00	3.10	10.00
20BSK1F1	31.750	25.40	30.50	45.70	3.50	9.00
24BSK1F1	38.100	30.00	42.65	61.70	4.80	10.50
24BSK1F2	38.100	36.00	43.20	61.50	4.80	20.3/11.6
32BSK1F1	50.800	50.80	53.50	77.00	7.00	14.00
40BSK1F1	63.500	56.00	48.00	68.00	8.50	16.20

*Straight side plates

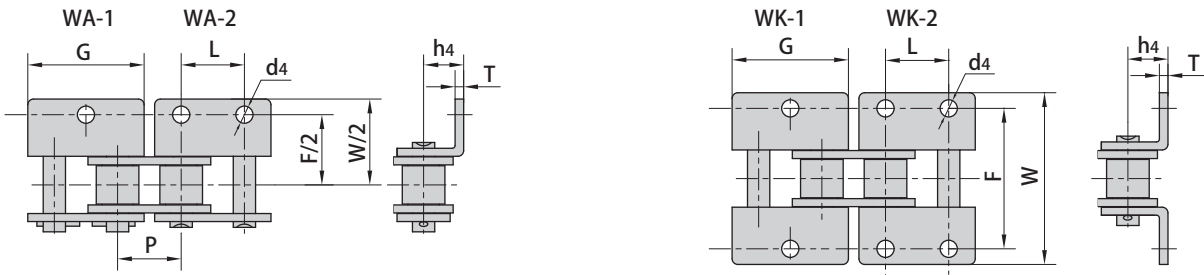
Short pitch conveyor chain attachments



Donghua Chain No.	P	G	L	F	W	T	h4	d4
	mm	mm	mm	mm	mm	mm	mm	mm
*06BWK2F1	9.525	17.70	9.525	19.05	28.50	1.30	6.70	4.10
08AWK1F2	12.700	23.00	-	25.40	35.60	1.50	7.90	M5
08AWA2F2	12.700	23.00	12.700	25.40	35.60	1.50	7.90	3.60
08BWA2F4	12.700	24.00	12.700	25.40	36.40	1.60	8.90	4.30
08BWA1F1	12.700	23.30	-	27.40	38.80	1.60	8.00	4.30
08BA1F45	12.700	18.00	-	27.60	39.60	1.60	8.00	4.30
08BWK1F12	12.700	23.30	-	25.40	35.10	1.60	8.90	M5
08BWK1F11	12.700	23.30	-	25.40	35.20	1.60	8.90	5.00
10AWK1F1	15.875	28.80	-	32.00	46.80	2.03	10.30	8.20
10A(W)A2F1	15.875	24.10	15.875	33.60	43.20	2.03	8.20	3.50
10AWA1F2	15.875	28.80	-	32.40	42.20	2.03	10.30	5.20
08BWA1F6	12.700	24.00	-	25.40	38.80	1.60	8.90	6.60
08BWK1F10	12.700	24.00	-	62.83	75.43	2.00	10.00	5.00
08BWA2F6	12.700	25.00	12.500	26.00	35.60	1.60	8.90	4.50
08BWK2F2	12.700	23.20	12.700	28.40	42.60	3.00	8.50	5.40
08BWK2F3	12.700	23.20	12.700	32.00	43.60	1.60	10.00	4.50
08BWK2F4	12.700	24.00	12.700	25.40	36.40	1.60	8.90	4.30
08BWK2F5	12.700	24.20	12.700	23.95	34.95	1.55	8.75	4.30
08BWA2F25	12.700	24.50	12.700	25.40	35.20	1.60	8.90	4.50
08BWK2F27	12.700	24.00	12.000	30.43	43.43	2.00	10.00	4.30
08BWK2F28	12.700	24.40	12.700	42.00	56.30	1.60	8.50	6.00
08BWK2F29	12.700	25.45	12.700	34.03	45.93	1.50	13.00	6.00
08BWA2F30	12.700	23.30	12.700	30.00	42.00	1.60	8.50	4.30
08BWA2F31	12.700	23.30	14.000	25.40	43.00	1.60	8.90	4.00
08BWA2F34	12.700	23.60	12.700	32.60	44.60	1.60	9.50	4.20
08BWA2F33	12.700	23.30	12.700	27.60	40.80	1.60	8.50	4.30
08BWK2F32	12.700	23.30	12.700	25.40	40.00	1.60	8.90	M5
08B(W)K2F30	12.700	23.30	12.700	28.18	37.18	1.60	8.40	4.30
08BF30WK2	12.700	23.00	12.700	42.00	52.30	1.60	6.50	5.15

*Straight side plates

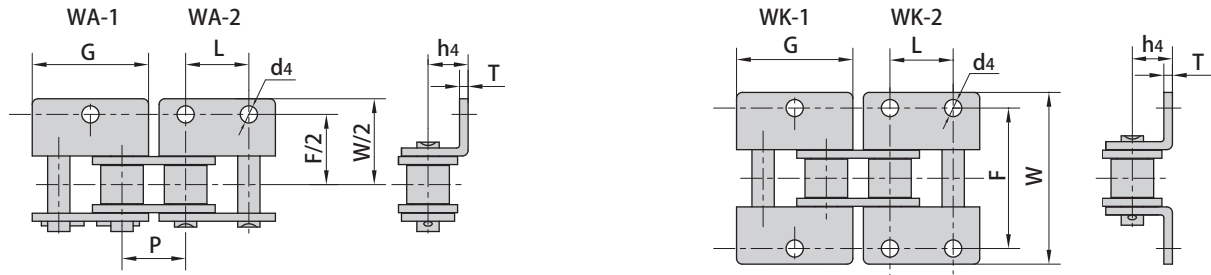
Short pitch conveyor chain attachments



Donghua Chain No.	P	G	L	F	W	T	h4	d4
	mm	mm	mm	mm	mm	mm	mm	mm
428HWK1	12.700	23.30	-	38.00	56.40	2.42	11.00	5.50
10AWK1F1	15.875	28.80	-	31.75	46.00	2.03	10.30	8.20
10AWK1F2	15.875	30.00	-	31.75	46.00	2.03	10.30	5.20
10BWA2F2	15.875	28.36	15.760	30.40	39.80	1.60	10.50	5.20
10BWK2F2	15.875	28.36	15.760	30.40	39.80	1.60	10.50	5.20
10BWK2F3	15.875	29.90	15.880	31.59	45.59	1.60	10.50	5.30
10BWK2F4	15.875	29.58	15.880	31.71	48.41	1.70	10.31	5.30
12AWA2F1	19.050	34.65	19.050	38.10	56.40	2.42	11.91	6.35
12AWK2F5	19.050	34.65	14.300	38.10	54.32	2.42	11.90	6.00
12AWA1F6	19.050	34.65	-	44.00	62.00	2.42	11.90	10.50
12AWA1F5	19.050	34.65	-	38.10	54.40	2.42	11.90	7.00
12AHWK2F1	19.050	34.65	19.050	40.60	59.00	3.25	11.90	5.50
12BWK0F1	19.050	30.00	-	-	55.30	3.00	14.00	5.50
12BWA1F2	19.050	34.05	-	38.10	26.20	1.85	13.46	-
12BWA2F2	19.050	34.90	19.000	35.00	50.60	1.85	12.00	6.20
12BWA2F3	19.050	30.00	20.000	37.40	53.00	1.85	12.00	6.10
12BWA2F5	19.050	30.00	20.000	39.60	55.30	1.85	14.00	M6
12BWA2F6	19.050	30.00	20.000	38.60	57.00	1.85	13.46	6.20
12BWK1F1	19.050	34.05	-	38.10	52.40	1.85	13.46	8.50
12BWK1F11	19.050	34.65	-	35.00	56.40	1.85	11.90	6.20
12BWK1F12	19.050	34.05	-	35.00	52.40	1.85	13.46	M6
12BWK2F7	19.050	34.90	19.000	35.00	55.40	1.85	12.20	6.40
12BWK2F8	19.050	35.60	19.050	38.10	52.40	1.85	13.50	6.60
12BWK2F9	19.050	34.90	19.000	35.00	62.40	1.85	12.20	6.20
12BWA2F10	19.050	34.05	19.050	38.90	56.90	1.85	13.46	7.00
12BWA2F11	19.050	32.00	19.050	38.10	56.40	1.85	11.90	5.50
*C12BWK2F12	19.050	35.00	19.050	37.20	58.00	1.85	11.00	6.60
12BWA2F17	19.050	37.00	19.050	38.08	52.38	1.85	13.46	6.40
12BF42WK2	19.050	34.90	19.000	35.20	54.60	1.85	12.20	6.40
16AWK1F1	25.400	45.90	-	50.80	73.20	3.25	15.90	8.00
16AWK1F2	25.400	45.90	-	50.80	73.20	3.25	15.90	12.00

*Straight side plates

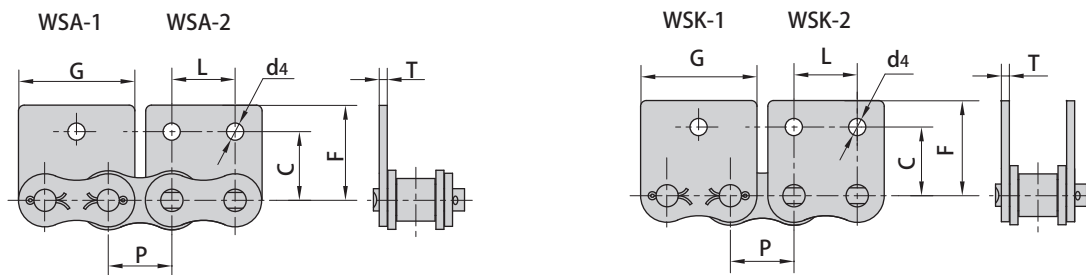
Short pitch conveyor chain attachments



Donghua Chain No.	P	G	L	F	W	T	h4	d4
	mm	mm	mm	mm	mm	mm	mm	mm
16AWK1F7	25.40	45.90	-	50.80	73.20	3.25	15.90	9.00
16BWA2F12	25.40	46.40	25.40	50.80	77.80	3.10	15.90	8.20
16BWA2F7	25.40	46.40	25.40	50.80	72.00	4.15	16.00	8.00
16BWK1F	25.40	46.00	-	57.20	78.50	3.10	15.90	8.10
16BWK1F3	25.40	46.40	-	50.80	72.60	3.10	15.88	M6
16BWK1F4	25.40	46.40	-	50.74	72.50	3.10	15.88	8.30
16BWK1F25	25.40	46.40	-	58.62	83.12	3.10	17.50	M6
16BWK1F26	25.40	45.50	-	70.00	90.00	3.10	15.00	11.40
16BWK1F27	25.40	46.00	-	57.20	78.50	4.15	15.90	6.50
16BWA1F28	25.40	36.00	-	57.58	77.58	3.10	16.00	M8
16BWK2F1	25.40	48.00	25.40	58.00	75.90	3.10	18.00	9.00
16BWK2F3	25.40	46.40	25.40	58.08	72.60	3.10	15.88	8.20
16BWK2F5	25.40	46.00	25.40	53.58	77.58	3.00	16.30	8.20
16BWK2F6	25.40	49.00	25.40	50.20	72.60	4.00	19.00	8.20
16BWK2F8	25.40	46.40	25.40	50.80	79.40	4.15	15.88	6.60
16BWK2F10	25.40	46.40	25.40	52.00	72.60	3.10	15.88	6.40
16BWK2F13	25.40	47.00	25.40	58.00	75.60	4.15	18.00	9.00
16BWA2F21	25.40	45.50	25.00	54.80	83.80	3.10	16.00	M6
16BWA2F22	25.40	46.40	25.40	50.80	72.60	3.10	15.88	9.00
16BWK2F23	25.40	46.40	25.40	58.00	84.00	4.15	19.00	8.50
*C16BWK2F24	25.40	46.40	25.40	50.80	72.60	4.15	15.88	8.00
*C20BWK0F1	31.75	57.45	-	-	85.40	3.50	22.80	-
20BWK1F1	31.75	58.15	-	69.00	98.80	3.50	21.00	10.50
20BWK2F1	31.75	58.10	31.75	67.94	100.54	3.50	19.80	9.00
20BWK2F2	31.75	60.00	31.75	68.00	88.00	3.50	23.50	9.60
20BWK2F3	31.75	60.00	31.75	68.00	88.00	3.50	23.60	9.60
24AK2F4	38.10	69.30	38.10	76.20	95.00	4.80	23.00	9.80
28AWK2F1	44.45	82.00	42.00	69.50	99.00	5.60	25.10	10.50
32AWK2F3	50.80	100.00	70.00	100.00	140.00	6.40	31.75	18.00
32BWK2F2	50.80	92.80	40.00	76.39	111.99	6.00	31.00	12.50
32BWA2F3	50.80	92.40	50.80	105.00	147.00	6.00	31.80	12.50

*Straight side plates

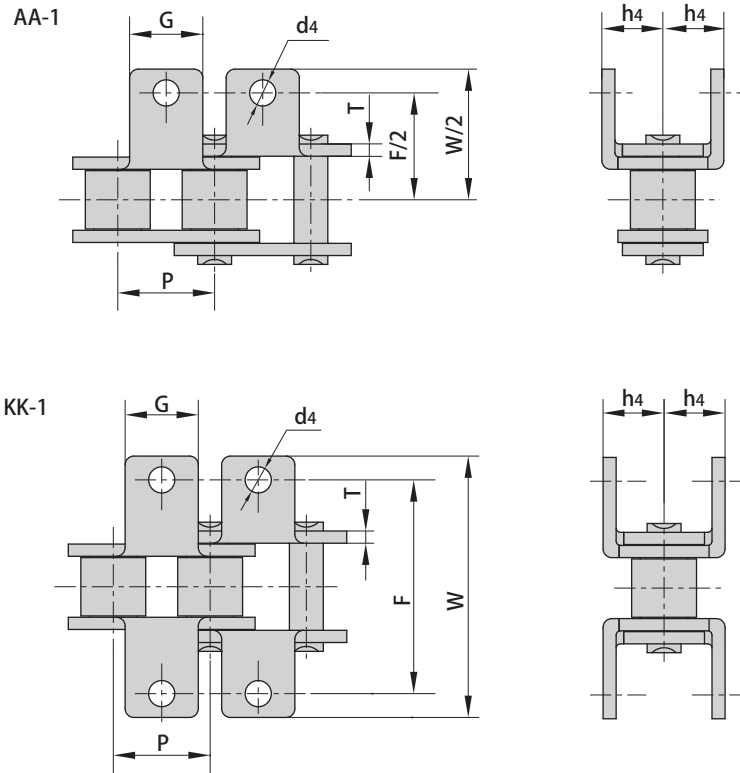
Short pitch conveyor chain attachments



Donghua Chain No.	P	G	L	C	F	T	d4
	mm	mm	mm	mm	mm	mm	mm
05BWSA2F1	8.000	14.00	6.000	7.00	13.00	0.80	3.00
*06BWSA2F1	9.525	17.60	9.500	10.10	14.50	1.30	3.30
*06BWSK2F2	9.525	17.25	9.520	9.50	13.50	1.15	3.50
06CWSA2F2	9.525	18.50	9.525	9.60	14.70	1.30	3.30
06CWSA2F1	9.525	17.53	9.530	8.50	14.70	1.30	4.20
08BWSA0F2	12.700	23.30	-	-	18.90	1.60	-
08BWSA1F2	12.700	24.45	-	13.40	18.90	1.60	4.30
08BWSK2F1	12.700	23.30	12.700	13.35	18.90	1.60	6.10
08BWSK2F2	12.700	24.45	12.700	13.40	18.90	1.60	4.30
08BWSK2F3	12.700	24.20	12.700	14.10	19.50	1.55	4.30
08BWSK2F4	12.700	23.30	12.700	14.10	18.50	1.60	4.30
08BWSK2F8	12.700	23.30	12.700	13.35	18.90	1.60	5.00
10AWSA0F6	15.875	30.30	-	-	24.10	2.03	-
10AWSA0F5	15.875	28.90	-	-	19.70	2.03	-
10AWSK2F1	15.875	28.45	15.900	17.30	26.90	2.03	5.00
*C10BWSK0F1	15.875	29.58	-	-	22.95	1.70	-
*C12AWSA1F1	19.050	34.05	-	17.60	25.80	2.42	9.00
12AWSA0F1	19.050	37.05	-	-	24.00	2.42	-
12AWSK1F2	19.050	34.65	-	15.75	33.53	2.42	16.13
12BWSK1F1	19.050	35.20	-	20.58	30.30	1.85	6.35
12BWSK2F2	19.050	34.90	19.000	17.80	25.90	1.85	6.20
12BWSK2F3	19.050	34.90	19.000	17.80	25.90	1.85	5.50
16AWSK1F3	25.400	45.90	-	16.00	34.40	3.25	14.52
16AWSK1F4	25.400	45.90	-	16.00	34.40	3.25	15.56
16AWSK1F5	25.400	45.90	-	16.00	34.40	3.25	17.15
*C16BWSK0F6	25.400	25.00	-	-	25.00	3.10	-
16BWSA2F6	25.400	49.00	25.400	25.50	37.60	4.00	8.20
16BWSK1F8	25.400	46.40	-	25.00	37.00	3.10	8.20
16BWSK2F5	25.400	46.00	25.400	25.40	37.50	3.00	8.20
16BWSK2F8	25.400	47.00	25.400	31.10	39.70	4.15	9.00
16BWSK2F9	25.400	47.00	25.400	31.10	39.70	4.15	9.00
16BWSK2F10	25.400	46.50	25.400	28.60	41.50	3.10	9.00
16BF95	25.400	46.40	25.400	27.50	40.00	3.10	8.28
20AWSK1F1	31.750	70.00	-	45.00	70.00	4.00	50.00
20AWSK1F2	31.750	57.65	-	31.80	44.00	4.00	16.00
20AWSK1F3	31.750	57.65	-	31.80	34.98	4.00	16.00
20BWSK2F2	31.750	58.10	31.750	35.00	50.00	3.50	9.00
24BWSK2F1	38.100	71.30	38.100	45.00	55.60	4.80	10.50
32AF5	50.800	93.00	50.800	38.10	56.65	6.40	13.50
16AWSK1F6	25.400	45.90	-	16.00	34.40	3.25	16.00
16AWSK2F1	25.400	45.90	19.100	24.60	35.45	3.25	9.00

*Straight side plates

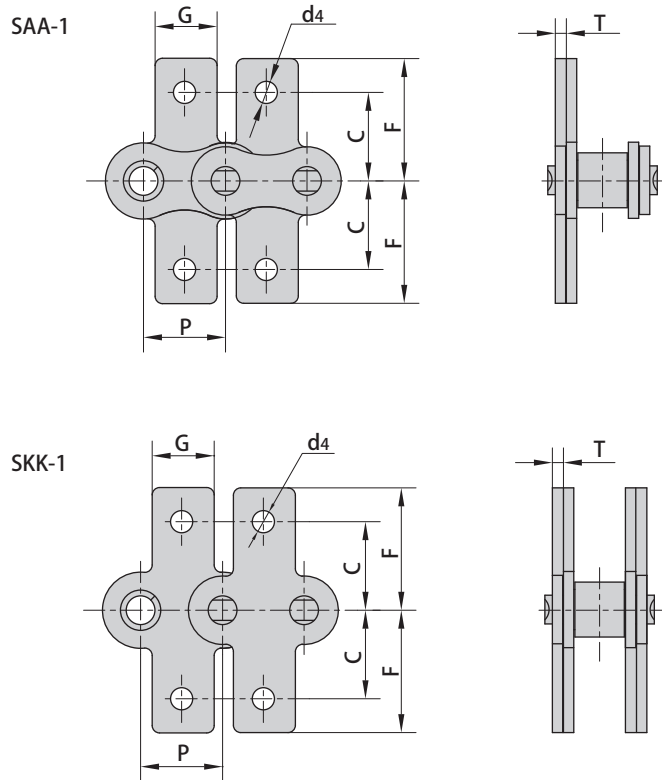
Short pitch conveyor chain attachments



DIN/ISO Chain No.	ANSI Chain No.	P	G	F	W	T	h4	d4
		mm	mm	mm	mm	mm	mm	mm
08A	40	12.700	9.5	25.40	35.2	1.50	7.90	3.4
10A	50	15.875	12.7	31.75	46.2	2.03	10.30	5.5
12A	60	19.050	15.9	38.10	55.6	2.42	11.90	5.5
16A	80	25.400	19.1	50.80	64.8	3.25	15.90	6.8
20A	100	31.750	25.4	63.50	87.3	4.00	19.80	9.2
24A	120	38.100	28.6	76.20	108.5	4.80	23.00	9.8
*06B		9.525	8.0	19.04	27.0	1.30	6.50	3.5
08B		12.700	9.5	25.40	36.4	1.60	8.90	4.5
10B		15.875	14.3	31.75	44.6	1.70	10.31	5.3
12B		19.050	16.0	38.10	52.4	1.85	13.46	6.4
16B		25.400	19.1	50.80	72.6	3.10	15.88	6.4
20B		31.750	35.0	63.50	100.5	3.50	19.80	9.0
24B		38.100	30.0	76.20	108.4	4.80	26.67	10.5

*Straight side plates

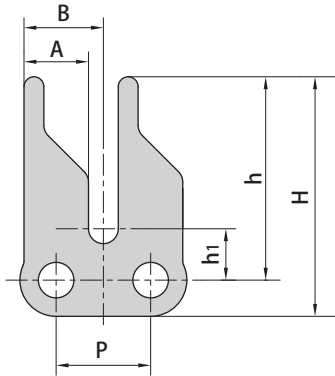
Short pitch conveyor chain attachments



DIN/ISO Chain No.	ANSI Chain No.	P	G	C	F	T	d4
		mm	mm	mm	mm	mm	mm
08A	40	12.700	9.5	12.70	19.05	1.50	3.4
10A	50	15.875	12.7	15.90	25.25	2.03	5.5
12A	60	19.050	15.9	18.30	29.33	2.42	5.5
16A	80	25.400	19.1	24.60	34.70	3.25	6.8
20A	100	31.750	25.4	31.80	43.30	4.00	9.2
24A	120	38.100	28.6	73.00	103.20	4.80	9.8
*06B		9.525	8.0	9.52	13.50	1.30	3.5
08B		12.700	9.5	13.35	18.90	1.60	4.3
10B		15.875	14.3	16.50	22.95	1.70	5.3
12B		19.050	16.0	21.45	28.60	1.85	6.4
16B		25.400	19.1	23.15	34.00	3.10	6.4
20B		31.750	35.0	30.50	45.70	3.50	9.0
24B		38.100	36.0	85.40	123.0	4.80	10.5

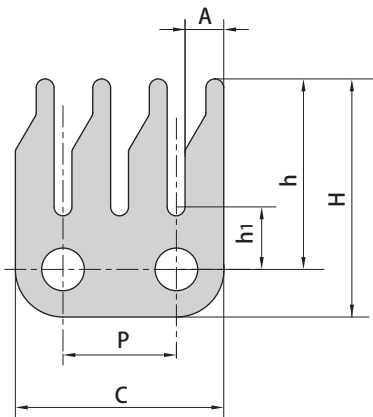
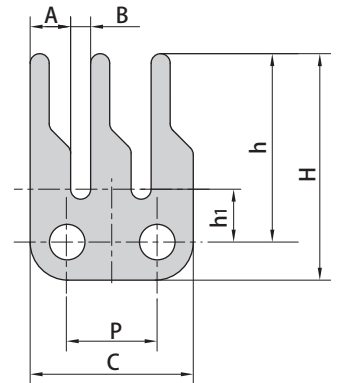
*Straight side plates

Conveyor chain special attachments (A series)



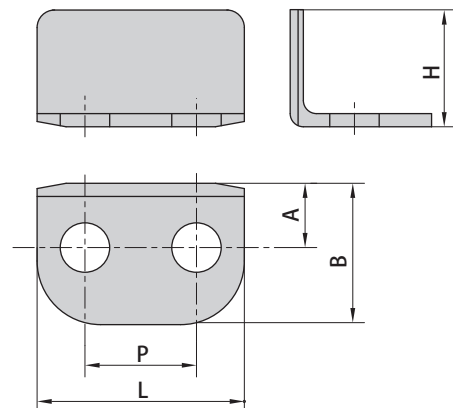
Donghua Chain No.	P	A	B	h ₁	h	H
	mm	mm	mm	mm	mm	mm
06CF2	9.525	6.5	8.0	5.2	20.5	24.15
06CF7	9.525	6.5	8.0	4.1	20.0	24.45

Donghua Chain No.	P	A	B	C	h ₁	h	H
	mm	mm	mm	mm	mm	mm	mm
06CF5	9.525	4.3	2.0	16.9	5.3	16.0	20.0
06CF8	9.525	4.3	2.0	16.9	5.3	20.0	24.0

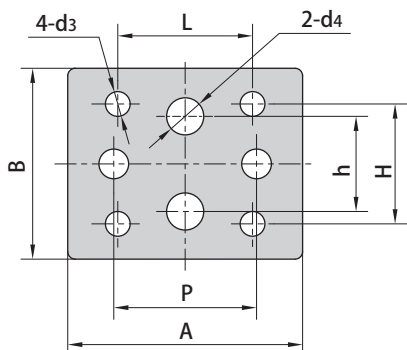


Donghua Chain No.	P	A	C	h ₁	h	H
	mm	mm	mm	mm	mm	mm
06CF6	9.525	3.25	17.5	5.25	16.0	20.0

Donghua Chain No.	P	L	A	B	H
	mm	mm	mm	mm	mm
RS40F1	12.7	23.6	7.32	16.1	13.3

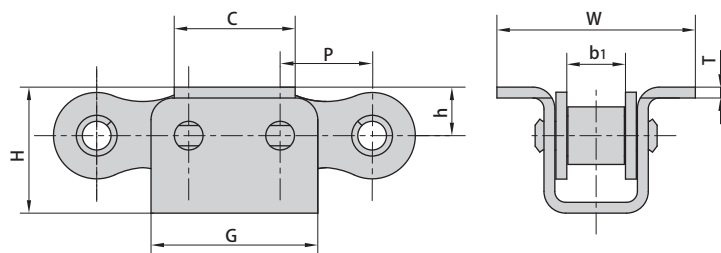
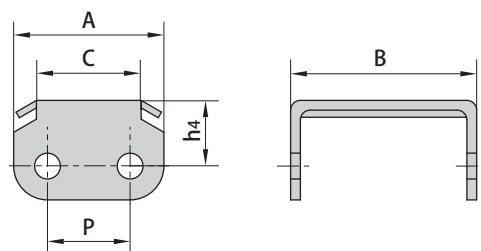


Conveyor chain special attachments (A series)

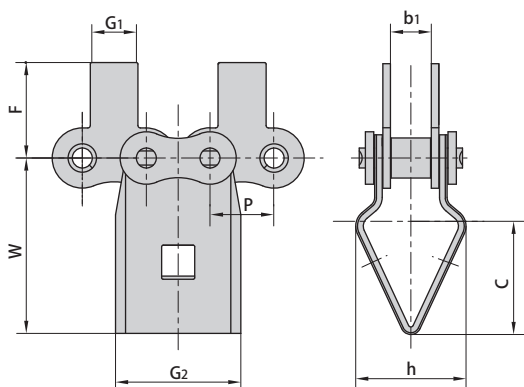


Donghua Chain No.	P	A	B	L	h	H	d3	d4
	mm	mm	mm	mm	mm	mm	mm	mm
08AF7	12.7	31.34	25.48	17.45	12.7	15.88	3.3	4.95

Donghua Chain No.	P	A	B	C	h4
	mm	mm	mm	mm	mm
08AF9-2	12.7	23.0	28.8	16.0	10.0

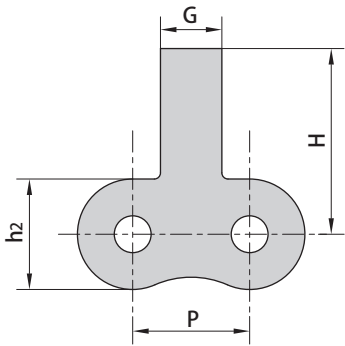


Donghua Chain No.	P	b1	C	G	H	h	W	T
	mm	mm	mm	mm	mm	mm	mm	mm
08A-U1F1	12.7	7.85	16.5	24.5	17.4	7.0	27.4	1.6

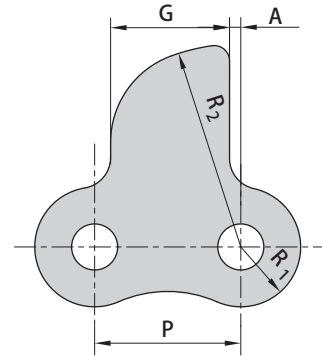


Donghua Chain No.	P	b1	G1	G2	F	W	C	h
	mm	mm	mm	mm	mm	mm	mm	mm
08ASAF1	12.7	7.85	9.5	25.0	19.05	35.0	21.5	22.0

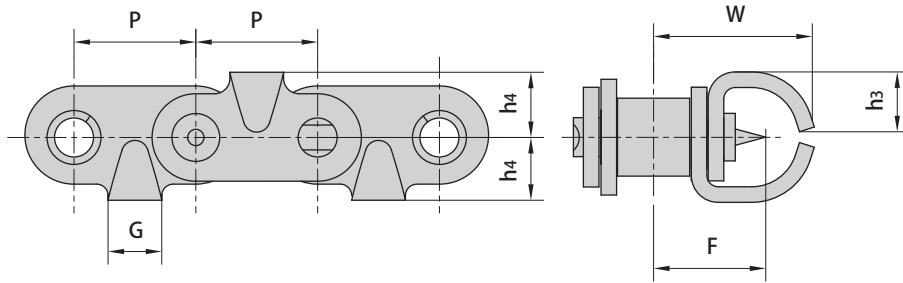
Conveyor chain special attachments (A series)



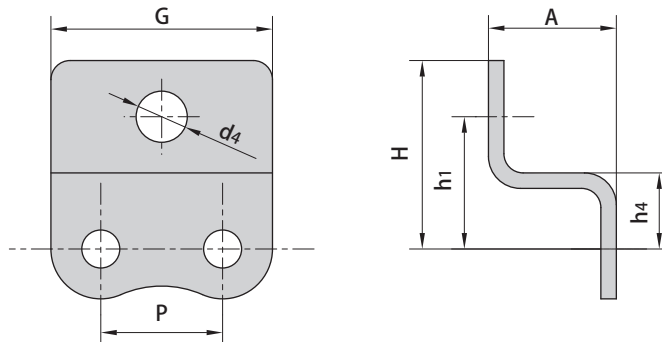
Donghua Chain No.	P	G	H	h ₂
	mm	mm	mm	mm
12ASA	19.05	10.0	204.0	18.0



Donghua Chain No.	P	G	A	R ₁	R ₂
	mm	mm	mm	mm	mm
12AF7	19.05	15.5	1.47	7.8	26.5

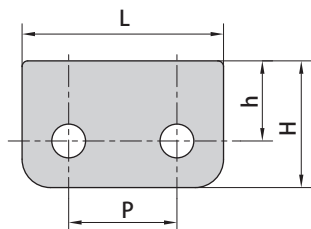


Donghua Chain No.	P	G	F	W	h ₃	h ₄
	mm	mm	mm	mm	mm	mm
10AF12	15.875	7.0	14.55	21.2	7.8	8.5



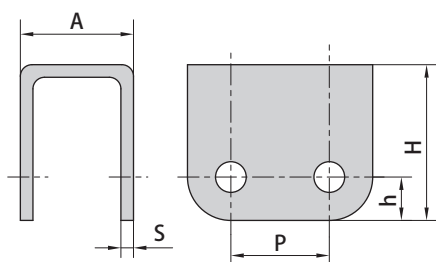
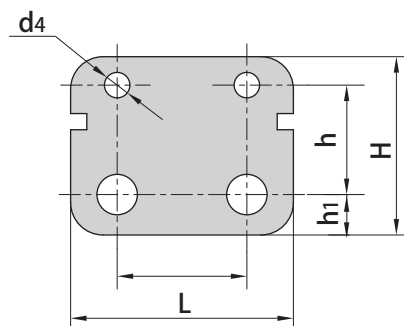
Donghua Chain No.	P	A	G	h ₁	h ₄	H	d ₄
	mm	mm	mm	mm	mm	mm	mm
12AF8	19.05	12.0	37.05	-	12.0	26.50	-
12AF17	19.05	20.0	34.65	20.69	11.9	29.48	8

Conveyor chain special attachments (A series)



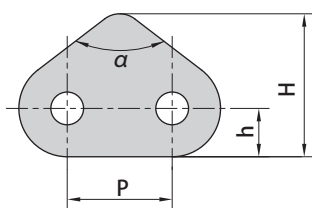
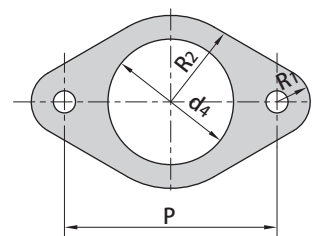
Donghua Chain No.	P	h	H	L
	mm	mm	mm	mm
C60TS	19.05	14.1	22.3	35.45

Donghua Chain No.	P	L	h ₁	h	H	d ₄
	mm	mm	mm	mm	mm	mm
16AF6	25.4	47.63	7.92	21.44	34.93	4.98



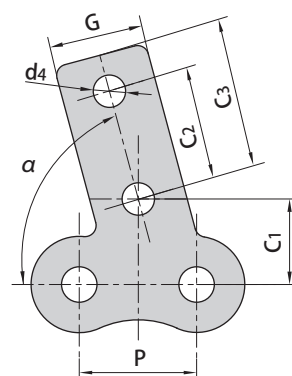
Donghua Chain No.	P	h	H	A	S
	mm	mm	mm	mm	mm
16AF8	25.4	11.2	40.2	29.2	3.1

Donghua Chain No.	P	d ₄	R ₁	R ₂
	mm	mm	mm	mm
16AF13	76.2	45.0	11.9	31.0

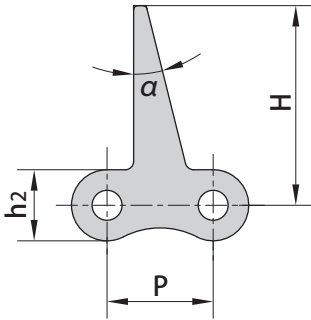


Donghua Chain No.	P	h	H	α
	mm	mm	mm	
20AF2	31.75	12.5	51.0	74°

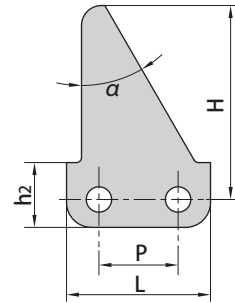
Donghua Chain No.	P	G	C ₁	C ₂	C ₃	d ₄	α
	mm	mm	mm	mm	mm	mm	
20ASK1F1	31.75	25.4	23.0	30.0	40.0	8.7	75°



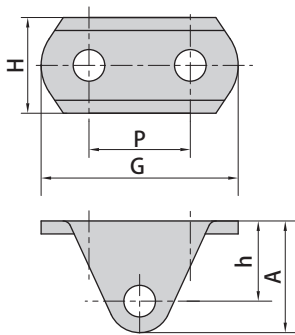
Conveyor chain special attachments (A series)



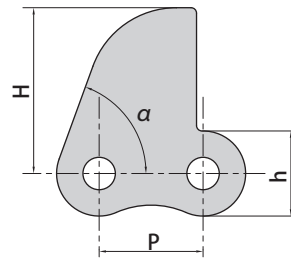
Donghua Chain No.	P mm	H mm	h ₂ mm	α
41F5	12.7	23.9	8.51	14°



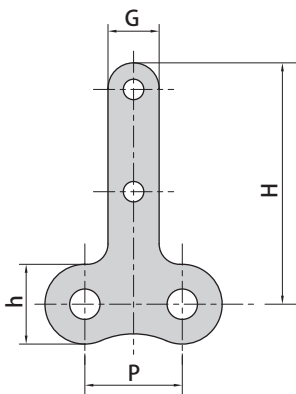
Donghua Chain No.	P mm	H mm	h ₂ mm	L mm	α
10ASA0F1	15.875	38.5	13	29.5	30°



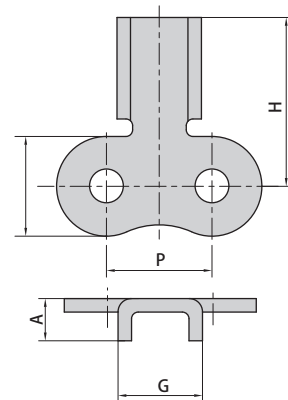
Donghua Chain No.	P mm	H mm	h mm	G mm	A m
16AF21	25.4	24	20.1	49.4	28.1



Donghua Chain No.	P mm	H mm	h mm	α
12AHF27	19.05	30.2	15.6	70°

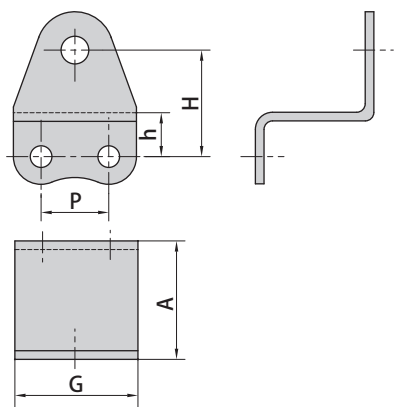


Donghua Chain No.	P mm	H mm	h mm	G mm
12AHF30	19.05	47.2	15.6	10

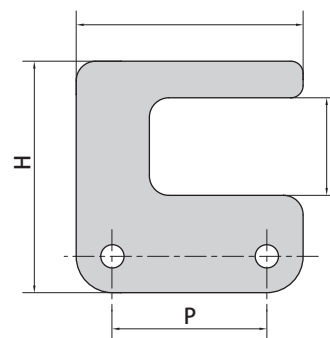
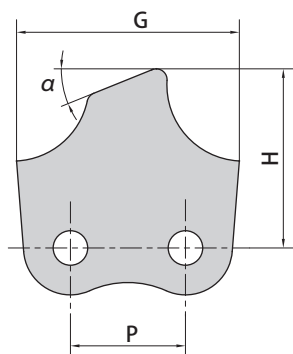
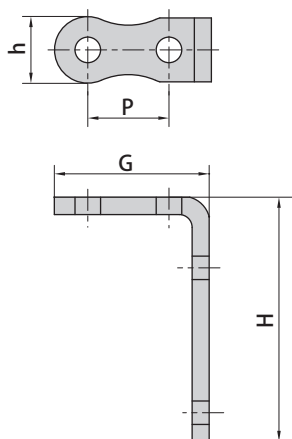


Donghua Chain No.	P mm	H mm	h mm	A mm	G mm
10AF25	15.875	25.4	15	6.35	12.7

Conveyor chain special attachments (A series)



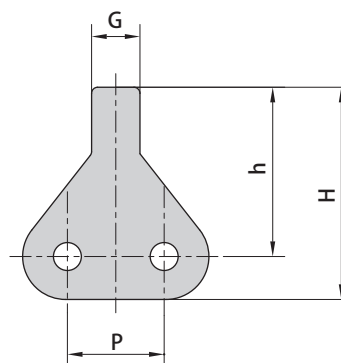
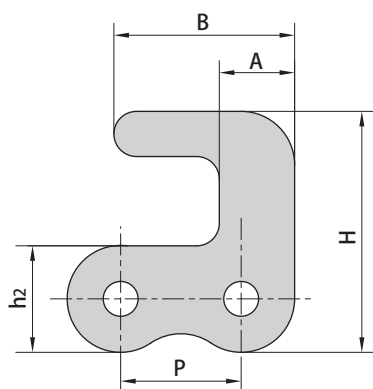
Donghua Chain No.	P mm	H mm	h mm	A mm	G mm
10AF17	15.875	25	10.3	27.8	28.88



Donghua Chain No.	P mm	H mm	h mm	G mm
12AF44	19.05	55	15.6	36.85

Donghua Chain No.	P mm	H mm	G mm	α
20AF21	31.75	49.46	61.5	22°

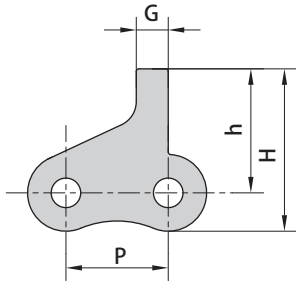
Donghua Chain No.	P mm	H mm	h mm	G mm
20AF18	63.5	40	15	93



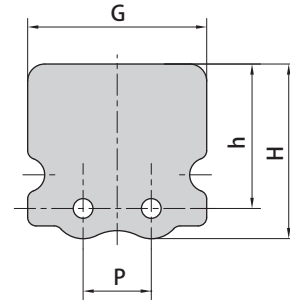
Donghua Chain No.	P mm	h ₂ mm	H mm	A mm	B mm
05BF1	8.0	7.1	16.0	5.0	12.0

Donghua Chain No.	P mm	H mm	h mm	G mm
05BF3	8	17.55	14	4

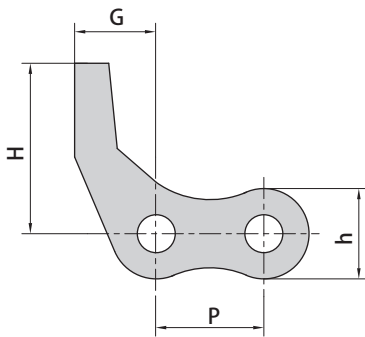
Conveyor chain special attachments (B series)



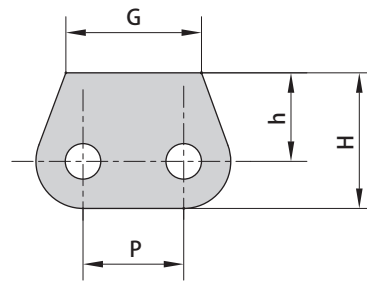
Donghua Chain No.	P mm	H mm	h mm	G mm
05BF4	8	12.7	9.7	2.5



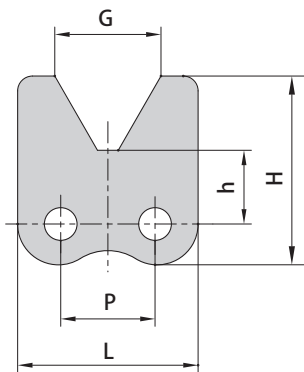
Donghua Chain No.	P mm	H mm	h mm	G mm
05BF6	8	17.55	16.95	21



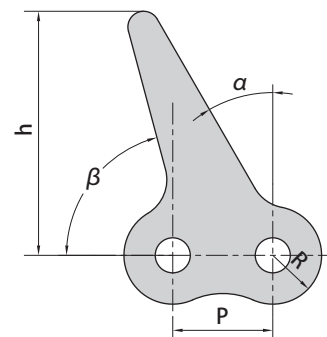
Donghua Chain No.	P mm	H mm	h mm	G mm
08B-D53	12.7	20	10.6	11.5



Donghua Chain No.	P mm	H mm	h mm	G mm
08BSK0F2	12.7	17	11.1	17

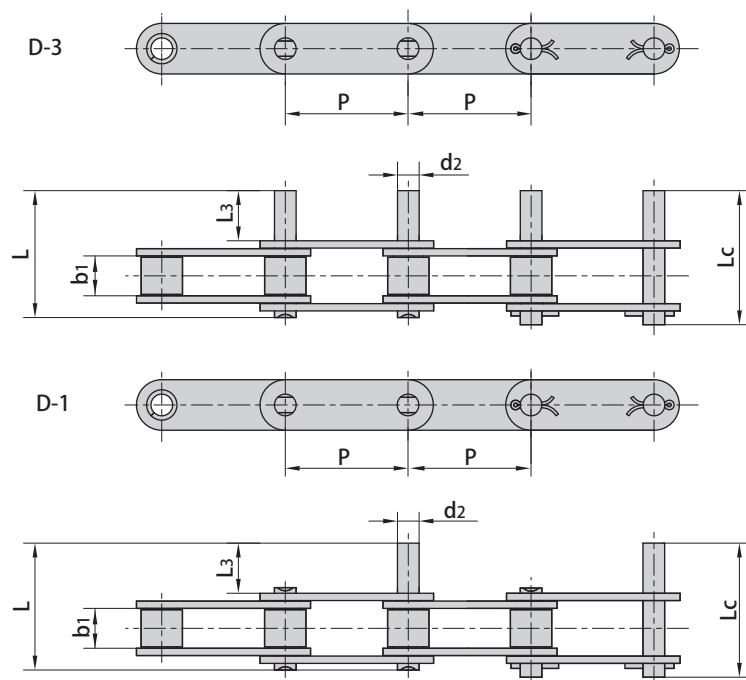


Donghua Chain No.	P mm	H mm	h mm	G mm	L mm
08BF61	12.7	25.4	9.9	14.3	24.3



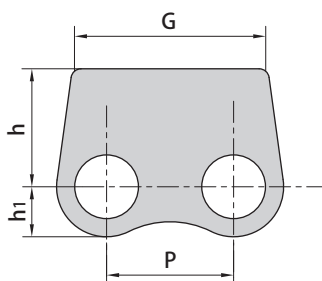
Donghua Chain No.	P mm	R mm	h mm	α	β
08BF24	12.7	6.2	31.0	30°	75°

Double pitch conveyor chains with extended pins



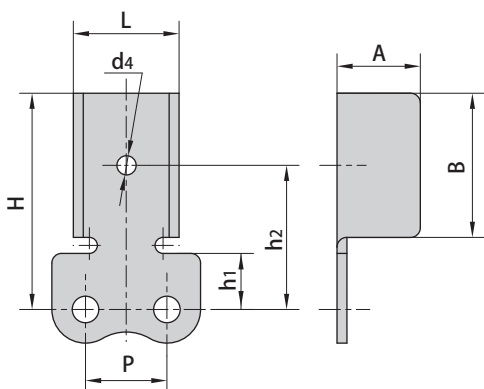
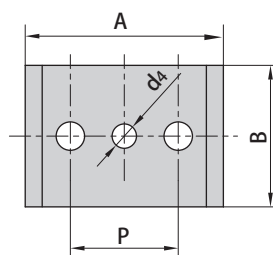
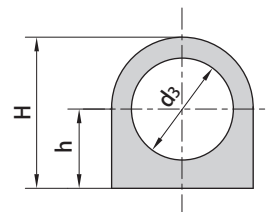
ISO Chain No.	ANSI Chain No.	P	b ₁	d ₂	L ₃	L	L _c
		mm	mm	mm	mm	mm	mm
C208A C208AL	C2040 C2042	25.40	7.85	3.96	9.5	25.1	26.2
C210A C210AL	C2050 C2052	31.75	9.40	5.08	11.9	31.3	33.1
C212A C212AL	C2060 C2062	38.10	12.57	5.94	14.3	38.6	40.6
C212AH C212AHL	C2060H C2062H	38.10	12.57	5.94	14.3	42.0	43.8
C216A C216AL	C2080 C2082	50.80	15.75	7.92	19.1	50.3	53.3
C216AH C216AHL	C2080H C2082H	50.80	15.75	7.92	19.1	53.5	55.0
C220A C220AL	C2100 C2102	63.50	18.90	9.53	23.8	61.8	66.1
C220AH C220AHL	C2100H C2102H	63.50	18.90	9.53	23.8	65.0	68.3
C224AH C224AHL	C2120H C2122H	76.20	25.22	11.10	28.6	79.6	83.6
C232AH C232AHL	C2160H C2162H	101.60	31.75	14.27	38.1	103.0	107.8

Conveyor chain special attachments (B series)

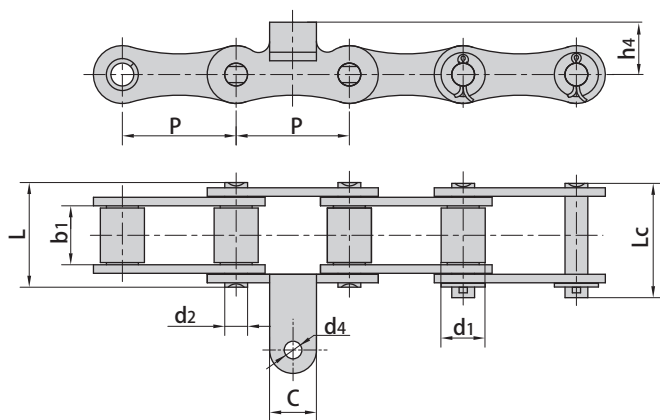
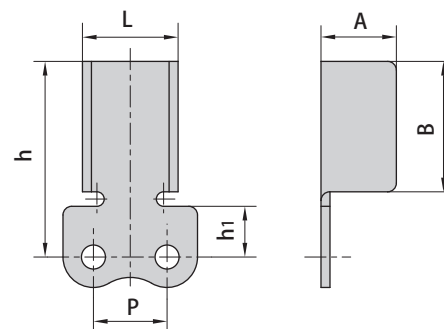


Donghua Chain No.	P	h ₁	h	G
	mm	mm	mm	mm
08BF37	12.7	5.0	11.8	20.0

Donghua Chain No.	P	h	H	A	B	d ₃	d ₄
	mm	mm	mm	mm	mm	mm	mm
12B-K188	19.05	14.0	26.7	35.0	25.0	18.0	4.3



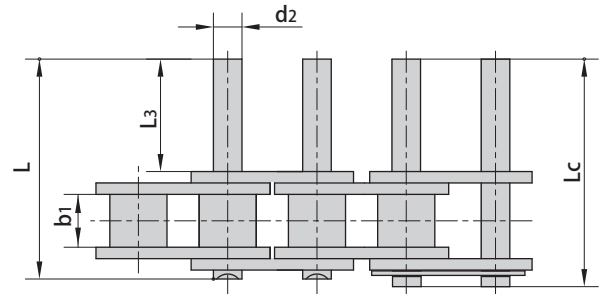
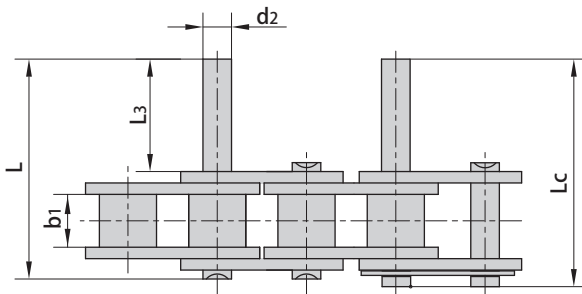
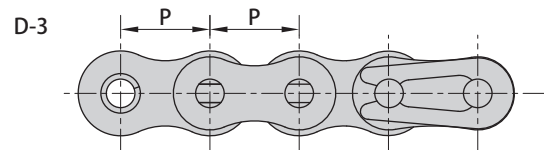
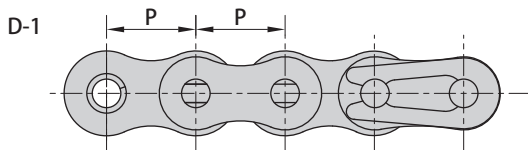
Donghua Chain No.	P	h ₁	h ₂	H	A	B	d ₄	L
	mm	mm	mm	mm	mm	mm	mm	mm
16BF11	25.4	24.5	47.5	64.5	36.0	35.0	6.0	52.7



Donghua Chain No.	P	h ₁	h	A	B	L
	mm	mm	mm	mm	mm	mm
20BF2	31.75	30.0	70.0	43.0	35.0	65.15

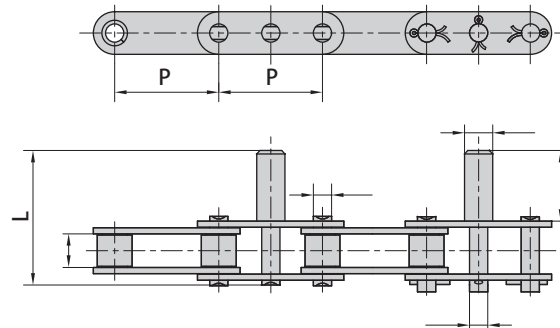
Donghua Chain No.	Pitch	Roller diameter	Width between inner plates	Pin diameter	Pin length		Plate dimension			Ultimate tensile strength	Average tensile strength	Weight per meter
	P	d ₁ max	b ₁ min	d ₂ max	L max	L _c max	C	h ₄	d ₄	Q _{min}	Q ₀ min	q
	mm	mm	mm	mm	mm	mm	mm	mm	mm	kN/lbf	kN	kg/m
41PF	41.3	16.0	21.1	8.28	38.5	42.2	17.0	19.0	6.4	48.0/10906	52.8	2.57

Short pitch conveyor chains with extended pins

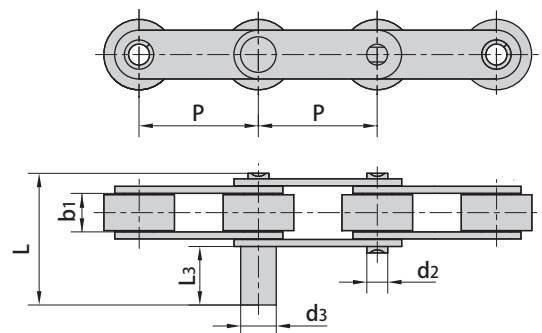


DIN/ISO Chain No.	ANSI Chain No.	P	b ₁	d ₂	L ₃	L	L _c
		mm	mm	mm	mm	mm	mm
06C	35	9.525	4.77	3.58	9.5	20.8	21.6
08A	40	12.700	7.85	3.96	9.5	25.1	26.2
10A	50	15.875	9.40	5.08	11.9	31.3	33.1
12A	60	19.050	12.57	5.94	14.3	38.6	40.6
16A	80	25.400	15.75	7.92	19.1	50.3	53.3
20A	100	31.750	18.90	9.53	23.8	61.8	66.1
24A	120	38.100	25.22	11.10	28.6	76.4	80.4
28A	140	44.450	25.22	12.70	33.3	84.8	89.4
32A	160	50.800	31.55	14.27	38.1	99.6	104.4
08B		12.700	7.75	4.45	9.5	25.1	26.6
10B		15.875	9.65	5.08	11.9	30.1	31.5
12B		19.050	11.68	5.72	14.3	35.4	37.1
16B		25.400	17.02	8.28	19.1	53.0	54.3
20B		31.750	19.56	10.19	41.0	79.9	83.6
24B		38.100	25.40	14.63	50.7	101.4	105.8
28B		44.450	30.99	15.90	61.9	124.0	128.4
32B		50.800	30.99	17.81	64.8	126.8	131.8

Double pitch conveyor chains with extended pins

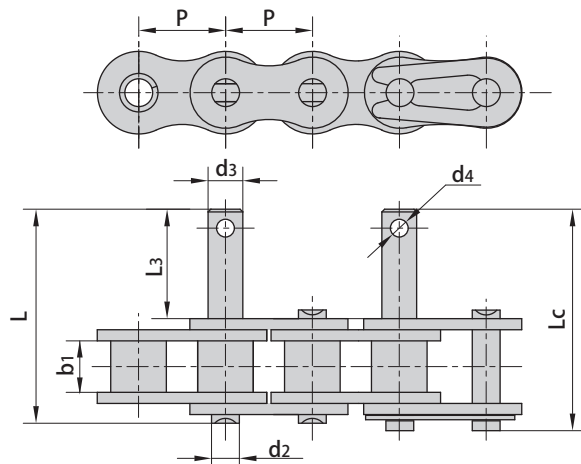


Donghua Chain No.	P	b ₁	d ₂	d ₃	d ₄	L ₃	L
	mm	mm	mm	mm	mm	mm	mm
C2052F2	31.75	9.40	5.08	6.00	7.0	20.0	39.8
C2052F14	31.75	9.40	5.08	6.00	7.0	21.0	40.4
C2062-D38	38.10	12.57	5.94	5.94	11.1	24.2	48.6
C2062-D39	38.10	12.57	5.94	5.94	13.3	32.2	56.6
C212AHL-D4	38.10	12.57	5.94	5.94	8.0	25.0	53.0
C212AHF3	38.10	12.57	5.94	8.08	10.0	35.0	63.0
C212AHF7	38.10	12.57	5.94	5.94	12.7	41.2	69.2
C212AHF8	38.10	12.57	5.94	8.00	10.0	35.0	63.0
C2060HF9	38.10	12.57	5.94	7.95	12.7	41.3	69.3
C2060HF10	38.10	12.57	5.94	7.70	14.3	41.3	69.3
C2060H-D23	38.10	12.57	5.94	8.80	12.7	41.3	69.3
C2060H-D24	38.10	12.57	5.94	7.95	12.7	44.8	65.6
C2060H-D31	38.10	12.57	5.94	7.95	16.0	45.0	73.0
C2062H-D41	38.10	12.57	5.94	9.53	9.5	22.2	50.0

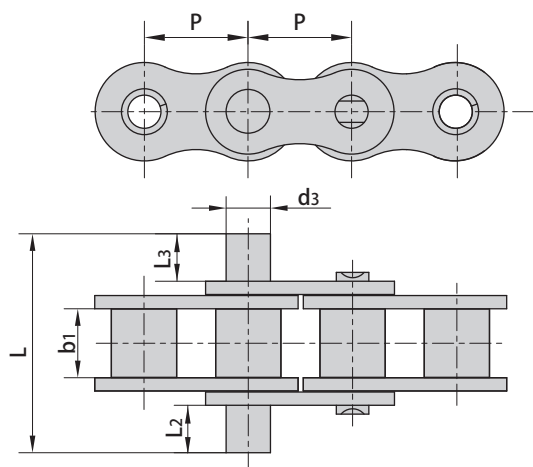


Donghua Chain No.	P	b ₁	d ₂	d ₃	L ₃	L
	mm	mm	mm	mm	mm	mm
C2052DF1	31.75	9.40	5.08	7.50	14.15	33.6
C210AF4	31.75	9.40	5.08	11.00	34.00	53.7
C2052-D4	31.75	9.40	5.08	6.00	32.40	52.0
C2050-D5	31.75	9.40	5.08	8.00	40.00	59.7
C212AHL-D4	38.10	12.57	5.94	8.00	25.00	53.0
C2062-D6	38.10	12.57	5.94	12.00	25.00	49.7

Conveyor chains with special extended pins

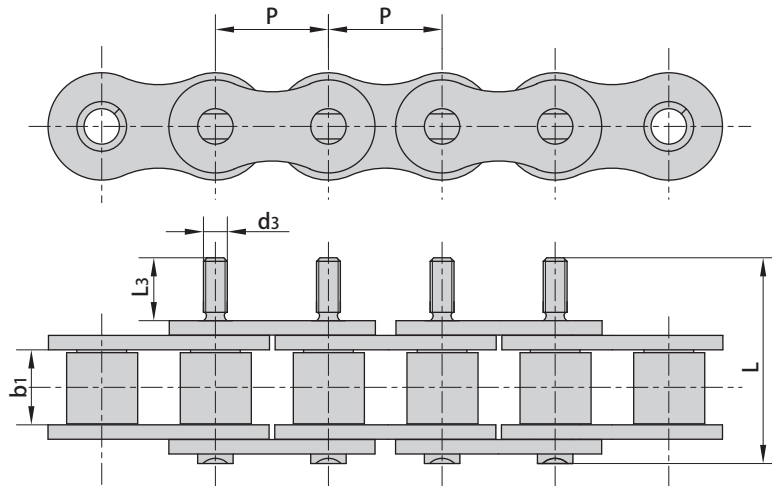


Donghua Chain No.	P	b1	d2	d3	L3	L	Lc	d4
	mm	mm	mm	mm	mm	mm	mm	mm
10A-D9	15.875	9.40	5.08	6.35	20.0	39.5	41.1	-
16AF1	25.400	15.88	7.92	9.00	20.0	51.2	54.7	-
08B-D4	12.700	7.75	4.45	6.00	15.0	31.2	32.4	-
08B-D7	12.700	7.75	4.45	6.00	14.0	30.2	31.4	2.6
08BF3	12.700	7.75	4.45	6.00	8.0	24.2	25.4	-
10BF2	15.875	9.65	5.08	6.00	25.0	43.4	44.8	-
10BF3	15.875	9.65	5.08	8.00	25.0	43.4	44.8	-
10B-D7	15.875	9.65	5.08	6.50	40.0	58.5	60.1	-
12B-D5	19.050	11.68	5.72	8.00	40.0	61.4	63.1	-
12B-D6	19.050	11.68	5.72	6.00	20.0	41.1	42.9	-
12B-D7	19.050	11.68	5.72	8.00	25.0	46.4	48.2	-

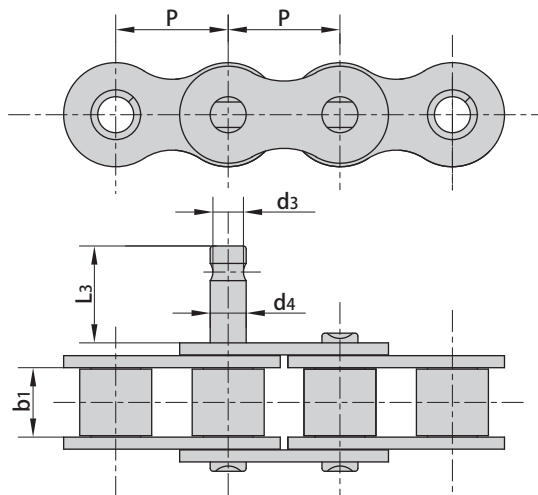


Donghua Chain No.	P	b1	d3	L2	L3	L
	mm	mm	mm	mm	mm	mm
12A-D7	19.050	12.57	8.10	8.6	8.6	40.0
06B-D4	9.525	5.72	3.28	3.0	5.0	19.4
08B-D8	12.700	7.75	4.45	10.0	38.0	62.5
08BF7	12.700	7.75	4.45	3.0	5.0	22.8
16BF4	25.400	17.02	8.28	18.0	18.0	68.0

Conveyor chains with special extended pins



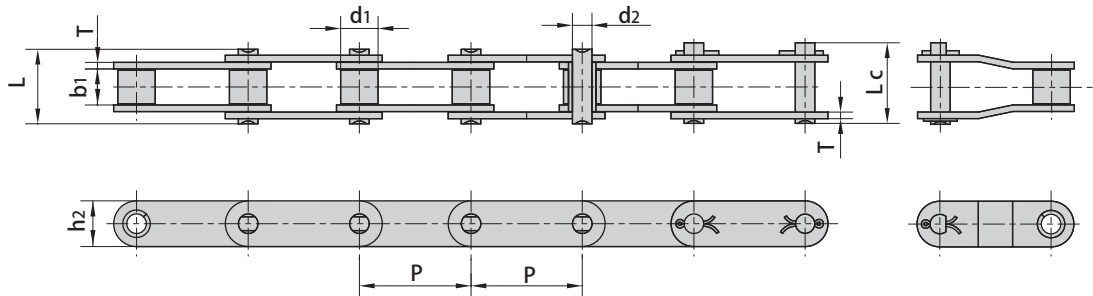
Donghua Chain No.	P	b1	d3	L3	L
	mm	mm	mm	mm	mm
12AF19	19.05	12.57	M4	10.0	34.5
12BF13	19.05	11.68	M4	10.0	31.0



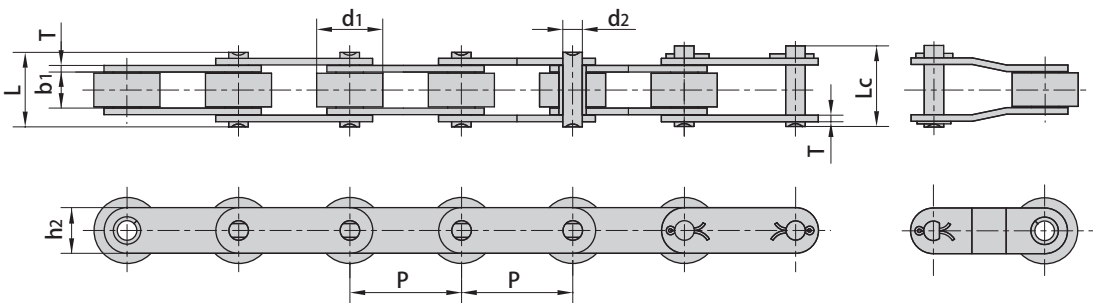
Donghua Chain No.	P	b1	d3	d4	L3
	mm	mm	mm	mm	mm
10B-D9	15.875	9.65	4.5	5.08	13.0
10B-D12	15.875	9.65	4.5	5.08	12.0
12B-D8	19.05	11.68	5.15	5.72	13.0

Double pitch conveyor chains

Small Roller Type



Large Roller Type

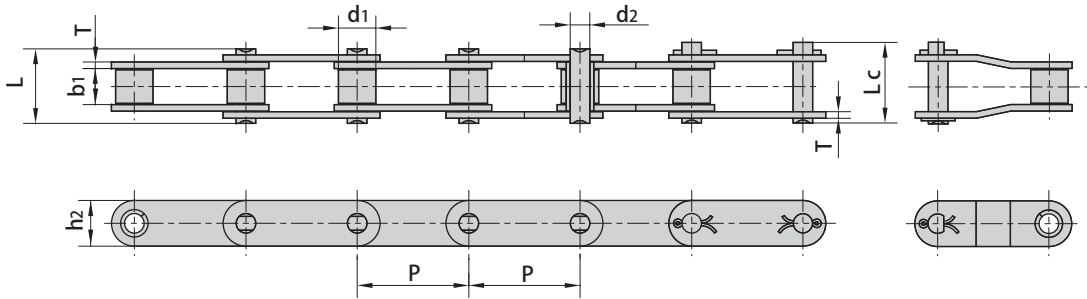


ISO Chain No.	ANSI Chain No.	Pitch	Roller diameter	Width between inner plates	Pin diameter	Pin length		Inner plate depth	Plate thickness	Ultimate tensile strength	Average tensile strength	Weight per meter
		P mm	d1 max mm	b1 min mm	d2 max mm	L max mm	Lc max mm	h2 max mm	T max mm	Q min kN/lbf	Q0 kN	q kg/m
C208A	C2040	25.40	7.95	7.85	3.96	16.6	17.8	12.0	1.50	14.1/3205	16.7	0.50
C208AL	C2042		15.88									0.84
C208AH	C2040H	25.40	7.95	7.85	3.96	18.8	19.9	12.0	2.03	14.1/3205	17.2	0.65
C208B		25.40	8.51	7.75	4.45	16.7	18.2	11.8	1.60	18.0/4091	19.4	0.55
C208BL			15.88									0.89
C210A	C2050	31.75	10.16	9.40	5.08	20.7	22.2	15.0	2.03	22.2/5045	28.1	0.78
C210AL	C2052		19.05									1.27
C212A	C2060	38.10	11.91	12.57	5.94	25.9	27.7	18.0	2.42	31.8/7227	36.8	1.12
C212AL	C2062		22.23									1.61
C212AH	C2060H	38.10	11.91	12.57	5.94	29.2	31.6	18.0	3.25	31.8/7227	41.6	1.44
C212AHL	C2062H		22.23									2.07
C216A	C2080	50.80	15.88	15.75	7.92	32.7	36.5	24.0	3.25	56.7/12886	65.7	2.08
C216AL	C2082		28.58									3.12
C216AH	C2080H	50.80	15.88	15.75	7.92	36.2	39.4	24.0	4.00	56.7/12886	70.0	2.54
C216AHL	C2082H		28.58									3.58
C220A	C2100	63.50	19.05	18.90	9.53	40.4	44.7	30.0	4.00	88.5/20114	102.6	3.01
C220AL	C2102		39.67									4.83
C220AH	C2100H	63.50	19.05	18.90	9.53	43.6	46.9	30.0	4.80	88.5/20114	112.4	3.56
C220AHL	C2102H		39.67									5.38
C224A	C2120	76.20	22.23	25.22	11.10	50.3	54.3	35.7	4.80	127.0/28864	147.3	4.66
C224AL	C2122		44.45									7.66
C224AH	C2120H	76.20	22.23	25.22	11.10	53.5	57.5	35.7	5.60	127.0/28864	160.9	5.26
C224AHL	C2122H		44.45									8.26
C232A	C2160	101.60	28.58	31.75	14.27	64.8	69.6	47.8	6.40	226.8/51545	278.9	8.15
C232AL	C2162		57.15									13.00
C232AH	C2160H	101.60	28.58	31.75	14.27	68.2	73.0	47.8	7.20	226.8/51545	285.8	9.06
C232AHL	C2162H		57.15									13.84

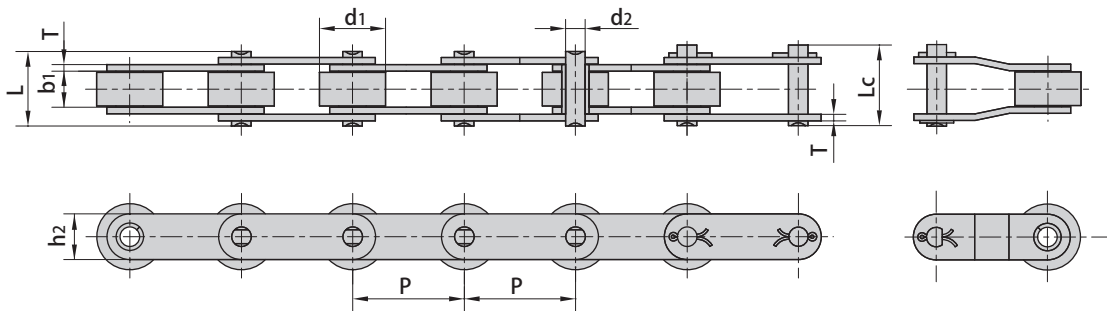
Double pitch conveyor chains

Non-standard double pitch conveyor chains

Small Roller Type

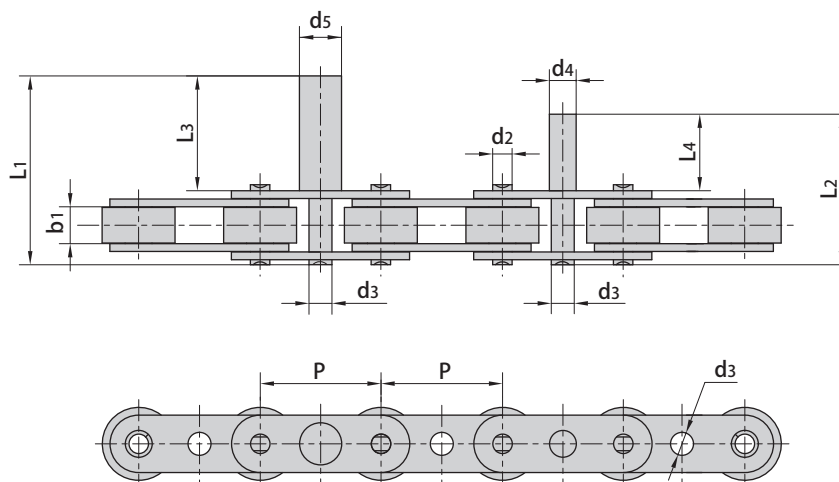


Large Roller Type

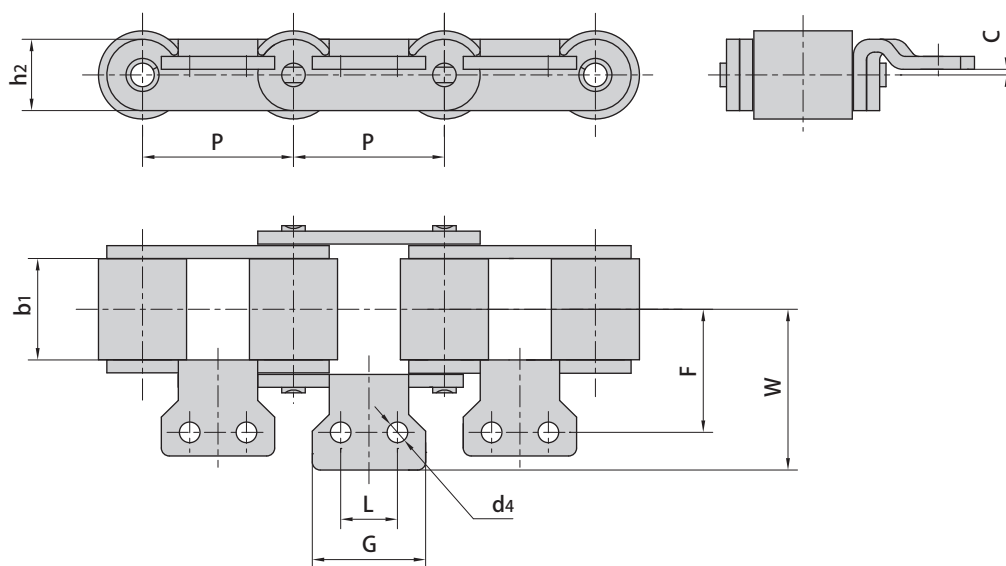


Donghua Chain No.	Pitch	Roller diameter	Width between inner plates	Pin diameter	Pin length		Inner plate depth	Plate thickness	Ultimate tensile strength	Average tensile strength	Weight per meter
	P mm	d1 max mm	b1 min mm	d2 max mm	L max mm	Lc max mm	h2 max mm	T max mm	Q min kN/lbf	Q0 kN	q kg/m
C2050F12	31.75	10.16	9.52	5.08	20.2	21.7	15.0	2.03	18.53/4165	20.0	1.05
C2060F28	38.10	11.91	12.57	5.72	25.9	27.7	20.0	2.42	28.90/6496	32.4	1.40
C2080HF1	50.80	15.88	15.75	7.92	36.2	39.4	23.0	4.00	55.60/12499	61.1	2.49
C2080HF51	50.80	18.00	32.00	7.92	54.0	57.5	24.0	4.00	55.60/12499	61.1	2.66
C220AH-BF1	63.50	19.05	18.90	9.53	43.6	46.9	30.0	4.80	86.70/19490	95.5	3.74
C224AHF2	76.20	27.20	25.22	11.10	-	57.5	35.7	5.60	124.60/280112	139.5	5.78
C224AHLF5	76.20	43.00	25.22	11.10	53.5	-	35.7	5.60	124.60/280112	142.6	7.94
C208BF3	25.40	8.51	7.95	4.45	16.7	-	11.8	1.50	10.00/22480	11.5	0.61
212BHF1	38.10	12.07	11.68	5.94	25.2	28.0	40.8	2.42	31.80/7149	36.6	2.73
C212BF2	38.10	12.07	11.68	5.72	22.5	25.5	35.0	1.85	28.90/6496	33.3	1.88
C212BF9	38.10	12.07	11.68	5.72	22.5	25.2	20.0	1.85	28.90/6496	33.3	1.10
216BF4	50.80	15.88	17.90	8.28	36.1	39.1	21.0	3.70	60.00/13488	66.0	1.80
C216BF1	50.80	15.88	17.02	8.28	36.1	39.1	20.0	4.00/3.00	60.00/13488	66.0	2.01
220BF1	63.50	19.05	19.56	10.19	36.5	37.6	27.0	3.00	65.00/14612	74.7	1.81

Double pitch conveyor chains with extended pins



Donghua Chain No.	P	b1	d2	d3	d4	d5	L3	L1	L4	L2
	mm	mm	mm	mm	mm	mm	mm	mm	mm	mm
C2052F1	31.75	9.4	5.08	6.0	7.0	11.0	30.0	49.8	20.0	39.8

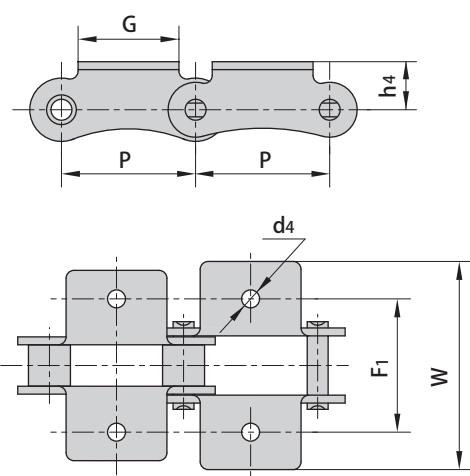


Donghua Chain No.	P	b1	h2	G	L	F	W	d4	C
	mm	mm	mm	mm	mm	mm	mm	mm	mm
C2052F11	31.75	9.4	15.0	16.0	-	26.6	34.6	6.2	0.50
C2050A6	31.75	9.4	15.0	16.0	-	23.4	32.8	5.5	0.50
C2062HF63A2F1	38.10	25.4	18.0	28.6	14.4	34.5	40.0	5.2	1.43

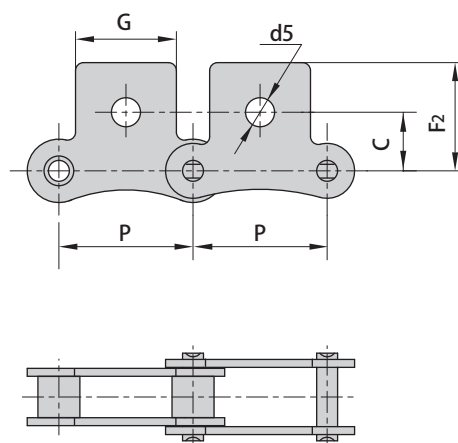
Double pitch conveyor chain attachments



K-1



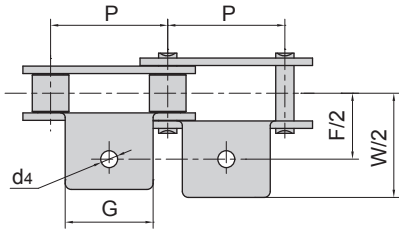
SK-1



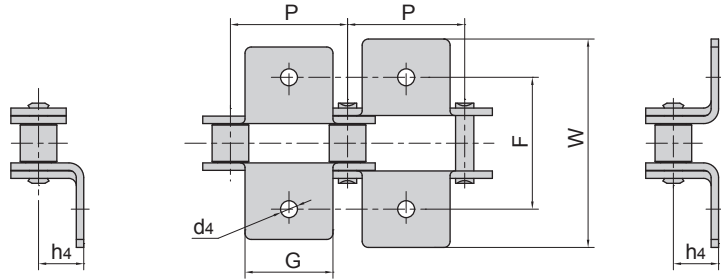
DIN/ISO Chain No.	ANSI Chain No.	P	G	F ₁	W	h ₄	d ₄	C	F ₂	d ₅
		mm	mm	mm	mm	mm	mm	mm	mm	mm
208A	2040	25.40	19.1	25.4	39.6	9.1	3.4	11.1	20.5	5.5
210A	2050	31.75	23.8	31.8	49.0	11.1	5.5	14.3	25.0	6.6
212A	2060	38.10	28.6	42.9	67.8	14.7	5.5	17.5	32.9	9.2
216A	2080	50.80	38.1	55.6	87.8	19.1	6.8	22.2	43.5	11.0
220A	2100	63.50	47.6	66.6	107.5	23.4	9.2	28.6	50.4	13.0
224A	2120	76.20	57.2	79.3	121.4	27.8	10.5	33.3	55.5	15.0
208B		25.40	23.2	25.4	39.6	9.1	4.5	11.1	20.5	5.5
210B		31.75	23.8	31.8	49.0	11.1	5.5			
212B		38.10	35.0	38.1	57.0	14.7	6.6			
216B		50.80	44.0	50.8	84.0	19.1	6.6			
220B		63.50	52.0	63.5	104.0	23.4	8.4			
224B		76.20	60.0	76.2	120.0	27.8	10.5			

Double pitch conveyor chain attachments

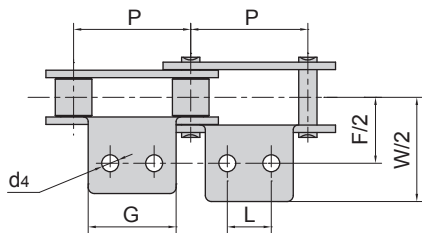
A-1



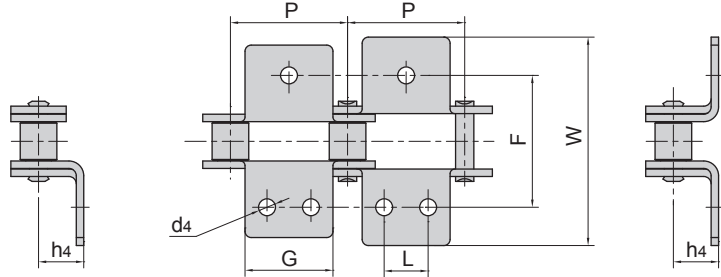
K-1



A-2

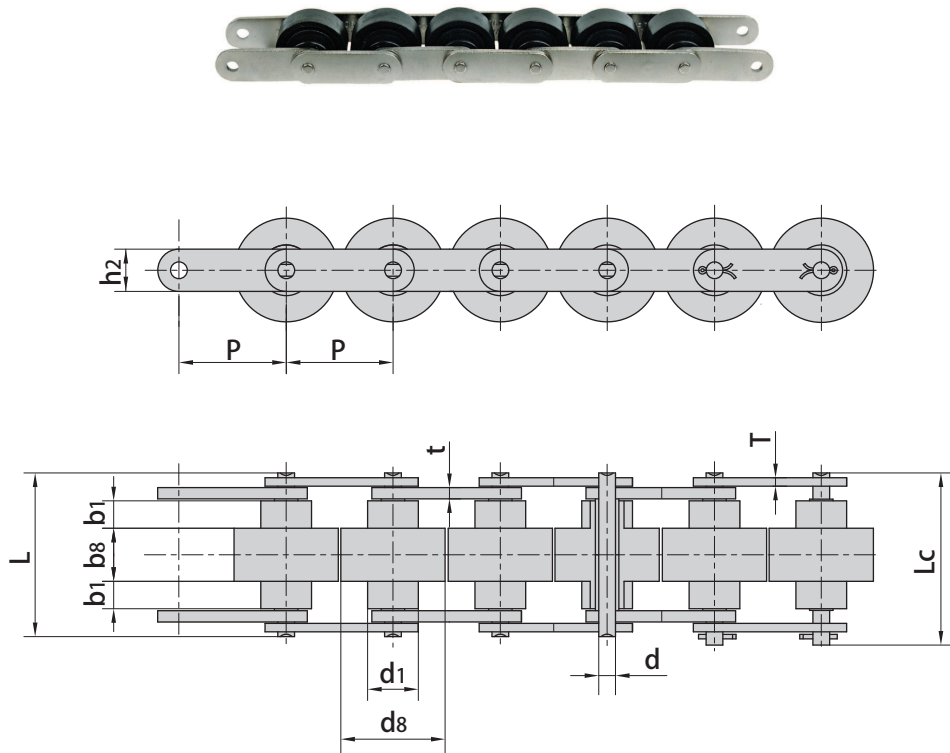


K-2



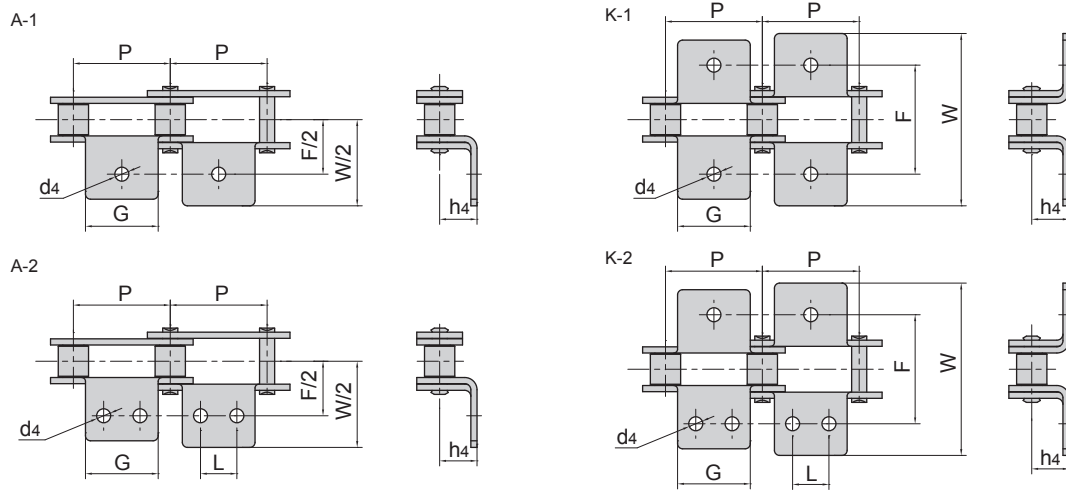
ISO Chain No.	ANSI Chain No.	P	G	L	F	W	h4	d4
		mm	mm	mm	mm	mm	mm	mm
C208A	C2040	25.40	19.1	9.5	25.4	39.6	9.1	3.4
C208AL	C2042		23.2	12.7	25.4	39.6	9.1	4.5
C210A	C2050	31.75	23.8	11.9	31.8	49.0	11.1	5.5
C210AL	C2052		28.6	14.3	42.9	67.8	14.7	5.5
C212A	C2060	38.10	28.6	14.3	42.9	67.8	14.7	5.5
C212AL	C2062		28.6	14.3	42.9	67.8	14.7	5.5
C212AH	C2060H	38.10	28.6	14.3	42.9	67.8	14.7	5.5
C212AHL	C2062H		50.80	38.1	19.1	55.6	87.8	19.1
C216A	C2080	50.80	38.1	19.1	55.6	87.8	19.1	6.8
C216AL	C2082		50.80	38.1	19.1	55.6	87.8	19.1
C216AH	C2080H	50.80	38.1	19.1	55.6	87.8	19.1	6.8
C216AHL	C2082H		63.50	47.6	23.8	66.6	107.5	23.4
C220A	C2100	63.50	47.6	23.8	66.6	107.5	23.4	9.2
C220AL	C2102		76.20	57.2	28.6	79.3	121.4	27.8
C220AH	C2100H	63.50	47.6	23.8	66.6	107.5	23.4	9.2
C220AHL	C2102H		76.20	57.2	28.6	79.3	121.4	27.8
C224A	C2120	76.20	57.2	28.6	79.3	121.4	27.8	11.0
C224AL	C2122		101.60	76.2	38.1	104.7	151.6	36.5
C224AH	C2120H	76.20	57.2	28.6	79.3	121.4	27.8	11.0
C224AHL	C2122H		101.60	76.2	38.1	104.7	151.6	36.5
C232A	C2160	101.60	76.2	38.1	104.7	151.6	36.5	13.1
C232AL	C2162		101.60	76.2	38.1	104.7	151.6	36.5
C232AH	C2160H	101.60	76.2	38.1	104.7	151.6	36.5	13.1
C232AHL	C2162H							

Double plus chains



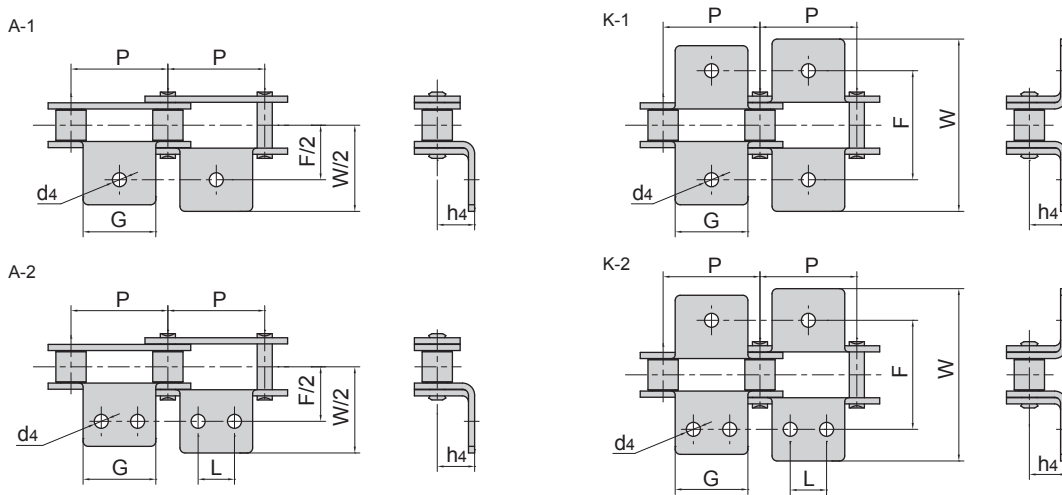
JB Chain No.	Donghua Chain No.	Pitch	Roller dimension				Pin diameter	Pin length		Plate dimension			Weight per meter		
			p	d1 max	d8 max	b1 min		b8 max	d2 max	L max	Lc max	h2 max		T max	t max
			mm	mm	mm	mm		mm	mm	mm	mm	mm		mm	mm
BS25-C206B	C2030W	19.05	11.91	18.3	4.00	8.0	3.28	24.0	25.6	8.20	1.30	1.50	0.52		
BS25-C208A	C2040W	25.40	15.88	24.6	5.70	10.3	3.96	31.0	32.8	11.70	1.50	1.50	0.79		
BS25-C210A	C2050W	31.75	19.05	30.6	7.10	13.0	5.08	39.5	41.2	15.00	2.03	2.03	1.36		
BS25-C212A	C2060HW	38.10	22.23	36.6	8.50	15.5	5.94	48.8	51.5	18.00	3.25	3.25	2.19		
BS25-C216A	C2080W	50.80	28.58	49.0	11.00	21.5	7.92	66.2	70.0	24.00	4.00	5.00	4.06		
BS30-C206B		19.05	9.00	18.3	4.50	9.1	3.28	26.3	29.6	7.28	1.30	1.50	0.50		
BS30-C208A		25.40	11.91	24.6	6.10	12.5	3.96	35.6	39.5	9.60	1.50	2.00	0.83		
BS30-C210A		31.75	14.80	30.6	7.50	15.0	5.08	43.0	47.1	12.20	2.00	2.40	1.27		
BS30-C212A		38.10	18.00	37.0	9.75	20.0	5.94	58.1	62.7	15.00	3.00	4.00	2.14		
BS30-C216A		50.80	22.23	49.0	12.00	25.2	7.92	71.9	77.3	18.60	4.00	5.00	3.55		

Double pitch conveyor chain attachments



Donghua Chain No.	P	G	L	F	W	h ₄	d ₄
	mm	mm	mm	mm	mm	mm	mm
C208AF1	25.40	19.0	-	25.7	38.3	8.8	4.10
C2042F1	25.40	19.0	-	25.4	40.0	9.0	5.20
C2040A1F3	25.40	19.0	-	25.4	38.2	19.8	5.30
C2042A1F4	25.40	19.0	-	25.4	39.6	9.1	5.00
C2040A2F1	25.40	19.0	9.00	25.4	38.4	9.0	5.20
C2042HK1F1	25.40	19.0	-	47.0	60.0	9.1	7.00
C2050A1F6	31.75	23.8	-	31.8	49.0	11.4	6.30
C2052A2F1	31.75	19.0	11.90	31.8	49.0	11.1	6.00
C2052A2F2	31.75	19.0	15.88	31.8	49.0	11.1	5.50
C2052A2F3	31.75	25.8	12.70	31.8	49.2	11.1	4.80
C2060K1F1	38.10	28.6	-	42.9	68.0	14.7	8.50
C2062HK1F5	38.10	28.6	-	42.9	67.8	14.7	7.90
C2062A1F13	38.10	30.0	-	70.2	98.0	14.7	8.50
C2062A2F6	38.10	28.6	14.30	42.9	67.8	14.7	6.00
C2062K2F7	38.10	28.6	14.30	42.9	67.8	14.7	6.50
C2060HF3A2	38.10	28.6	14.30	42.9	67.8	14.7	5.20
C2062HF15	38.10	28.6	14.30	42.9	67.8	14.7	M5
C2060HK1F	38.10	28.6	-	42.9	67.8	14.7	8.00
C2062HA1F4	38.10	20.0	-	45.8	65.8	9.0	6.80
C2062HK1F5	38.10	28.6	-	42.9	67.8	14.7	7.90
C2062HA1F7	38.10	28.6	-	42.9	67.8	14.7	5.20
C2060HA1F12	38.10	28.0	-	43.4	61.8	13.9	6.60
C2060HK2F3	38.10	28.6	14.30	42.9	64.8	14.7	5.00
C2062HK2F4	38.10	28.6	14.30	42.9	56.4	14.7	5.20
C2062HK2F5	38.10	28.6	14.30	55.6	76.0	11.1	5.50
C2060HK1F26	38.10	28.6	-	42.9	67.8	14.7	9.20
C2062HA1F25	38.10	28.0	-	59.0	75.0	9.0	6.00
C2062A2F22	38.10	28.6	14.30	42.9	57.4	14.7	5.50
C2060HK1F22	38.10	28.6	-	42.9	67.8	14.7	8.50
C2062A2F24	38.10	28.6	14.30	42.9	67.8	14.7	4.76
C216AF3	50.80	39.0	19.10	59.0	78.5	23.0	7.00
C2082A2F1	50.80	39.0	19.00	58.0	82.0	21.5	7.00

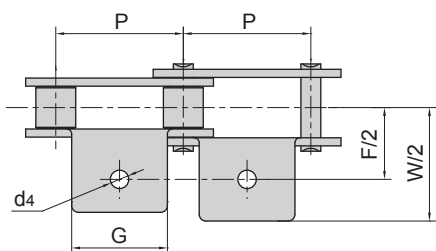
Double pitch conveyor chain attachments



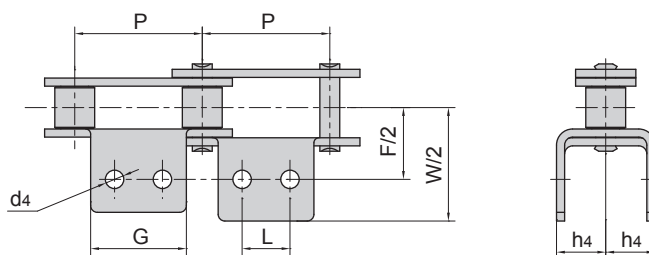
Donghua Chain No.	P	G	L	F	W	h4	d4
	mm	mm	mm	mm	mm	mm	mm
C2082A2F2	50.80	39.0	19.00	58.0	82.0	21.50	10.00
C2082K2F5	50.80	38.1	19.10	120.0	140.0	19.10	6.80
C2080HF	50.80	38.1	19.10	55.6	75.2	17.80	10.00
C2082HK1F5	50.80	38.1	-	55.6	79.6	19.10	8.00
C2082HA1F6	50.80	38.1	-	55.6	77.8	19.10	10.00
C2082HK1F7	50.80	38.1	-	55.6	79.6	19.10	6.50
C2080HK1F8	50.80	38.1	-	55.6	87.8	19.10	9.00
C2082HK1F9	50.80	38.1	-	55.6	81.5	19.10	M8
C2080HA1F12	50.80	38.1	19.1	55.6	73.0	19.10	8.10
C2080HK1F13	50.80	38.1	-	55.6	80.0	19.10	9.00
C2082HA1F17	50.80	38.1	-	55.6	87.8	19.10	9.50
C2080HSLRA2F5	50.80	38.1	22.2	63.5	87.8	19.05	8.80
C2082HA2F6	50.80	38.1	19.1	55.6	87.8	19.10	8.00
C2082F64K2	50.80	34.9	20.0	54.0	79.0	16.00	M6
C2082HA1F21	50.80	38.1	-	55.6	88.3	19.10	10.20
C2080HSLRA2F23	50.80	38.1	19.1	55.6	87.8	19.10	M8
C2082A1F22	50.80	38.1	-	49.6	76.2	16.00	10.50
C2082HK1F23	50.80	38.1	-	55.6	87.8	19.10	8.00
C2082HA2F22	50.80	60.0	40.0	62.6	82.6	39.50	9.00
C2082A2F23	50.80	65.0	44.0	62.0	86.0	19.40	7.00
C2100HK1F1	63.50	47.6	-	66.0	92.0	25.00	12.50
C220ALA2F5	63.50	52.0	31.0	66.6	107.4	23.40	9.20
C220AHK1F1	63.50	47.6	-	66.0	92.0	25.00	12.50
C2102HA2F3	63.50	47.6	23.8	66.6	99.8	23.40	3/8"
C220AHA2F2	63.50	47.6	23.8	66.6	107.5	23.40	9.20
C220ALA1F5	63.50	47.6	-	76.6	107.5	23.40	11.00
C224AHK2F2	76.20	72.0	40.0	79.3	121.4	27.80	13.00
C2162HA2F2	101.60	36.5	38.1	104.7	151.6	36.50	18.00
C208BHK1F7	25.40	23.2	-	25.4	39.6	9.10	6.50
C208BA1F8	25.40	14.8	-	25.6	37.8	9.80	5.50

Double pitch conveyor chain attachments

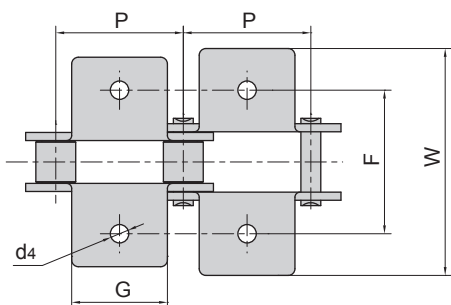
AA-1



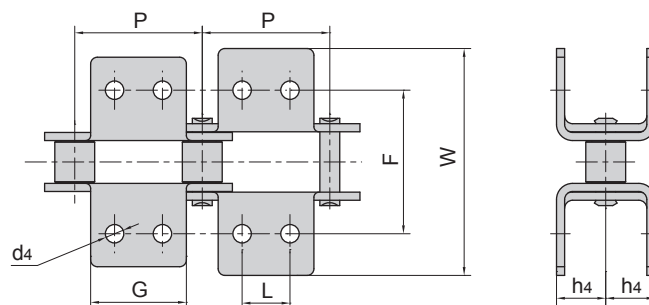
AA-2



KK-1

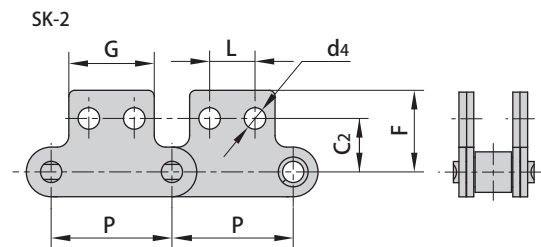
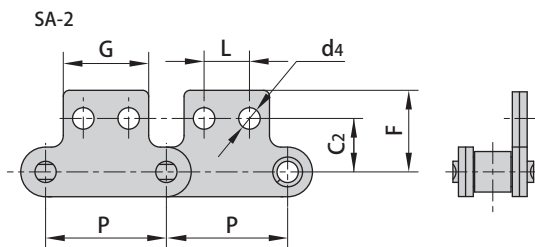
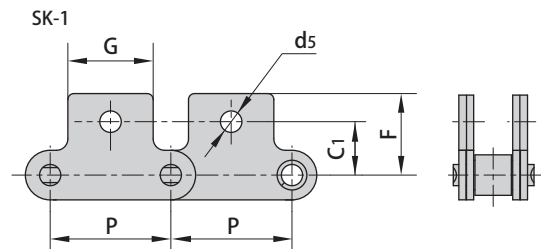
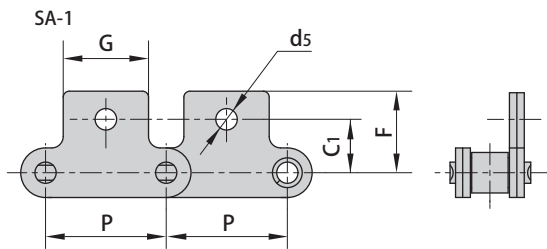


KK-2



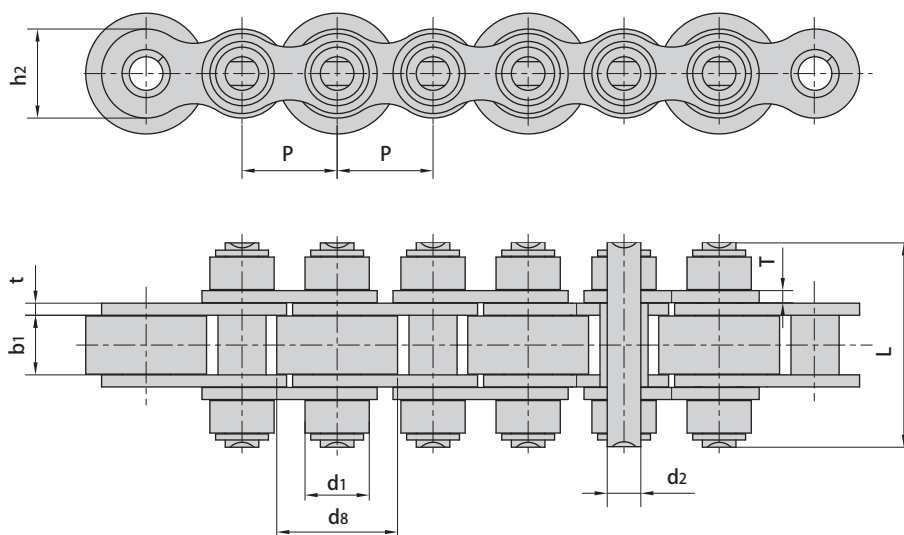
Donghua Chain No.	ANSI Chain No.	P	G	L	F	W	h4	d4
		mm	mm	mm	mm	mm	mm	mm
C208A C208AL	C2040 C2042	25.40	19.1	9.5	25.4	39.6	9.1	3.4
C208B C208BL		25.40	23.2	12.7	25.4	39.6	9.1	4.5
C210A C210AL	C2050 C2052	31.75	23.8	11.9	31.8	49.0	11.1	5.5
C212A C212AL	C2060 C2062	38.10	28.6	14.3	42.9	67.8	14.7	5.5
C212AH C212AHL	C2060H C2062H	38.10	28.6	14.3	42.9	67.8	14.7	5.5
C216A C216AL	C2080 C2082	50.80	38.1	19.1	55.6	87.8	19.1	6.8
C216AH C216AHL	C2080H C2082H	50.80	38.1	19.1	55.6	87.8	19.1	6.8
2060AA2F1		38.10	38.1	19.0	37.5	57.5	14.8	6.5
C2062AA1F1		38.10	14.0	-	33.4	52.0	9.0	6.4
C2080K1F4		50.80	38.1	-	80.0	112.0	15.3	8.5
C2082HAA1F1		50.80	25.0	-	78.8	128.8	17.5	8.0
C2082HAA1F2		50.80	25.0	-	77.8	127.8	17.5	12.0
C2122HAA1		76.20	57.2	-	79.3	121.4	27.8	11.0

Double pitch conveyor chain attachments



Donghua Chain No.	ANSI Chain No.	P	G	L	C ₁	C ₂	F	d ₄	d _s
		mm	mm	mm	mm	mm	mm	mm	mm
C208A	C2040	25.40	19.10	9.50	11.1	13.50	20.5	3.4	5.50
C208AL	C2042		23.20	12.70					
C208B		25.40	23.20	12.70	11.1	13.50	20.5	4.5	5.50
C208BL									
C210A	C2050	31.75	23.80	11.90	14.3	15.90	25.0	5.5	6.60
C210AL	C2052								
C212A	C2060	38.10	28.60	14.30	17.5	19.10	32.9	5.5	9.20
C212AL	C2062								
C212AH	C2060H	38.10	28.60	14.30	17.5	19.10	32.9	5.5	9.20
C212AHL	C2062H								
C216A	C2080	50.80	38.10	19.10	22.2	25.40	43.5	6.6	11.00
C216AL	C2082								
C216AH	C2080H	50.80	38.10	19.10	22.2	25.40	43.5	6.6	11.00
C216AHL	C2082H								
C220A	C2100	63.50	47.60	23.80	28.6	31.80	50.4	8.4	13.00
C220AL	C2102								
C220AH	C2100H	63.50	47.60	23.80	28.6	31.80	50.4	8.4	13.00
C220AHL	C2102H								
C2042HWSA2		25.40	37.30	9.50	-	13.50	20.5	3.4	-
C2050HWSA2F1		31.75	46.75	31.75	-	15.90	25.0	5.5	-
C2060SA2F1		38.10	28.60	14.30	-	19.10	26.1	5.5	-
C2062HSK2F1		38.10	28.60	14.30	-	19.10	23.8	5.2	-
C2060HSK1F1		38.10	28.60	-	17.3	-	30.0	-	11.80
C216AH2F		50.80	38.10	19.10	-	25.40	43.5	6.5	-
C2082F58SA1-P		50.80	38.50	-	27.0	-	39.5	-	8.10
C2080HSLRSA2F5		50.80	38.10	19.10	-	25.40	43.5	6.8	-
C2100HSA1		63.50	47.60	-	28.6	-	50.4	-	13.00
C224ALSK2F1		76.20	57.20	28.6	-	37.30	59.9	-	11.00
C2122HSA1F1		76.20	57.20	-	37.3	-	59.9	-	14.30
C224AHLSA2F1		76.20	57.20	28.6	-	37.30	59.9	-	9.53
208BSK1F2		25.40	14.00	-	17.7	-	21.3	-	3.20
208BSK1F3		25.40	13.00	-	14.7	-	26.7	-	3.10
208BSK1F4		25.40	24.20	-	14.3	-	20.5	-	4.20

Conveyor chains with large rollers

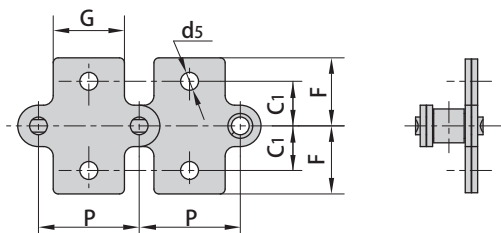


Donghua Chain No.	Pitch	Roller diameter		Width between inner plates	Pin diameter	Pin length	Plate dimension		Ultimate tensile strength	Average tensile strength
	P mm	d1 max mm	d8 max mm	b1 min mm	d2 max mm	L max mm	h2 max mm	t/T max mm	Q min kN/lbf	Q0 kN
08BS-27-P16/C16	12.70	8.51	16.0	7.75	4.45	27.0	11.8	1.60/1.50	18.0/4091	19.8
12BS	19.05	12.07	28.0	11.68	5.72	45.0	16.0	1.85	28.9/6568	31.7
12BS-40-P28/C28	19.05	12.07	28.0	11.68	5.72	40.0	16.0	1.85	29.0/6591	31.7
12BS-43-P26/C26	19.05	12.07	26.0	11.68	5.72	43.0	16.0	1.85	29.0/6591	31.7
12BS-43-P28/C28	19.05	12.07	28.0	11.68	5.72	43.0	16.0	1.85	29.0/6591	31.7
12BS-48-P24/C24	19.05	12.07	24.0	11.68	5.72	48.0	16.0	1.85	29.0/6591	31.7
12BS-48-P26/C26	19.05	12.07	26.0	11.68	5.72	48.0	16.0	1.85	29.0/6591	31.7
12BS-48-P28/C28	19.05	12.07	28.0	11.68	5.72	48.0	16.0	1.85	29.0/6591	31.7
12BS-58-P28/C28	19.05	12.70	28.0	11.68	5.72	58.0	16.0	1.85	29.0/6591	31.7
16BS-65-P38/C38	25.40	15.88	38.0	17.02	8.28	65.0	21.0	4.15/3.10	60.0/13636	72.8
100SF1-85-C45	31.75	19.05	45.0	25.50	9.53	85.0	30.0	4.00	86.7/19490	104.0
212BS-43-P48	38.10	12.07	48.0	11.68	5.72	43.0	16.0	1.85	28.9/6568	31.7

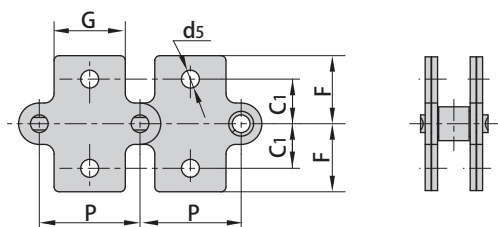
Note: P means roller made in plastic, C means roller made in steel.

Double pitch conveyor chain attachments

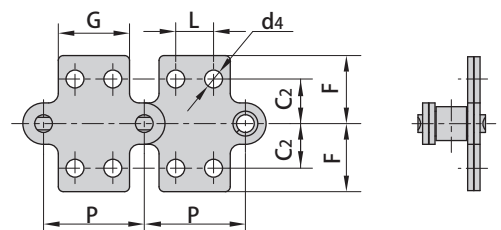
SAA-1



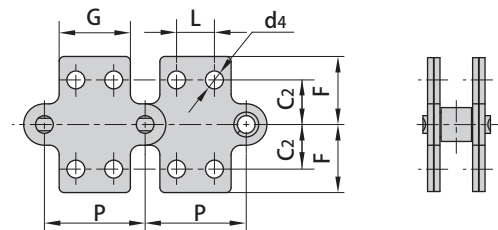
SKK-1



SAA-2

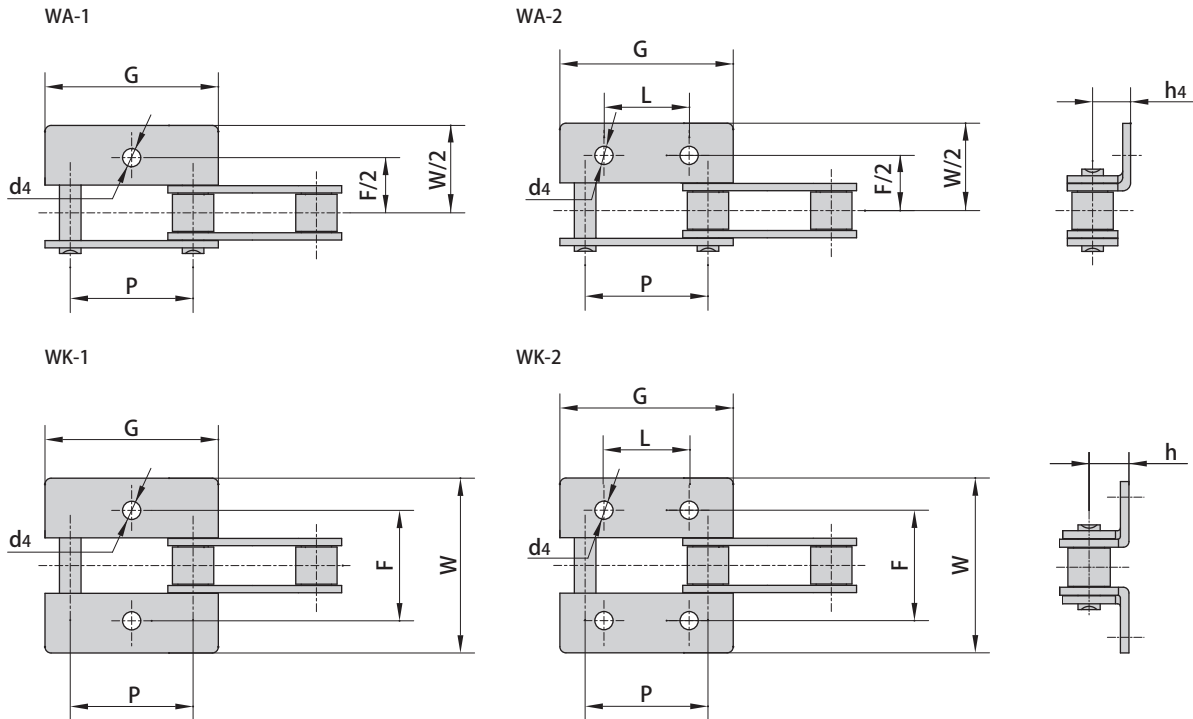


SKK-2



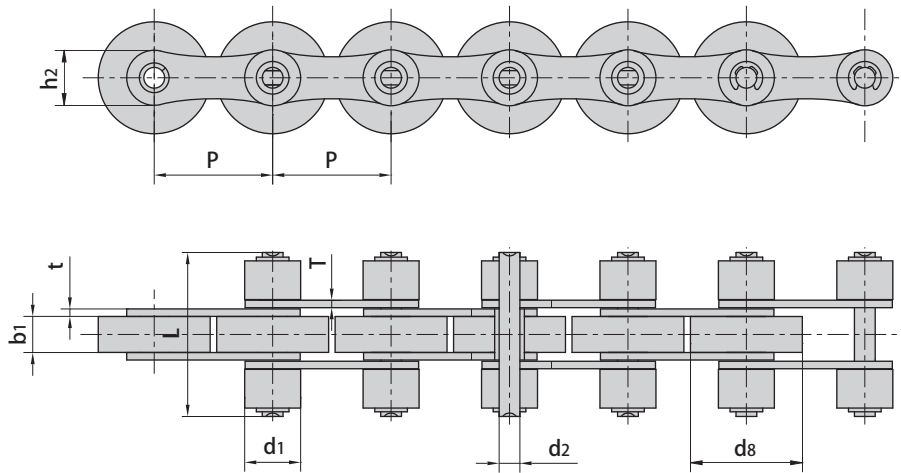
Donghua Chain No.	ANSI Chain No.	P	G	L	C1	C2	F	d4	d5
		mm	mm	mm	mm	mm	mm	mm	mm
C208A C208AL	C2040 C2042	25.40	19.1	9.5	11.1	13.5	20.5	3.4	5.5
C208B C208BL		25.40	23.2	12.7	11.1	13.5	20.5	4.5	5.5
C210A C210AL	C2050 C2052	31.75	23.8	11.9	14.3	15.9	25.0	5.5	6.6
C212A C212AL	C2060 C2062	38.10	28.6	14.3	17.5	19.1	32.9	5.5	9.2
C212AH C212AHL	C2060H C2062H	38.10	28.6	14.3	17.5	19.1	32.9	5.5	9.2
C216A C216AL	C2080 C2082	50.80	38.1	19.1	22.2	25.4	43.5	6.6	11.0
C216AH C216AHL	C2080H C2082H	50.80	38.1	19.1	22.2	25.4	43.5	6.6	11.0
C2060HSAA1F1		38.10	24.0	-	25.4	-	43.5	11.0	-

Double pitch conveyor chain attachments



Donghua Chain No.	P	G	L	F	W	h4	d4
	mm	mm	mm	mm	mm	mm	mm
C2040K1F2	25.40	37.0	-	62.0	110.0	9.1	7.0
C2042HF1	25.40	37.4	-	42.5	65.5	6.0	7.0
C2052WA1F2	31.75	46.8	-	76.2	95.2	7.5	7.1
C2062WA2F1	38.10	56.1	38.1	42.9	67.8	14.7	6.5
C2062WK2F2	38.10	56.1	38.1	43.0	68.0	14.7	7.8
C2062HWA1F4	38.10	55.6	-	76.2	95.3	8.7	7.1
C2062HWA2	38.10	56.1	14.3	42.9	67.8	14.7	5.5
C2062HWA2F4	38.10	55.6	38.1	76.2	95.3	8.7	7.1
C2060WA2	38.10	56.1	38.1	42.9	58.5	14.7	5.5
C216ALF5	50.80	74.8	44.3	62.2	88.0	19.1	7.0
C2082F12	50.80	74.8	50.8	55.6	88.0	19.1	8.4
C2082F24	50.80	74.8	56.8	55.6	87.8	19.1	6.8
C2082HF1A2	50.80	74.8	30.0	60.0	84.0	18.0	8.5
C2080HWK2	50.80	74.8	50.8	55.6	87.8	19.1	6.8
C2082WA2F4	50.80	74.8	50.8	55.6	88.0	14.0	7.0
C2100HWA2	63.50	93.5	63.5	66.6	107.4	23.4	8.4
C224AHWK2	76.20	111.9	76.2	79.3	111.9	27.8	11.0
C2102HK2-M8	63.50	47.6	23.8	66.6	107.5	23.4	M8
C208BK2F	25.40	37.2	12.7	28.0	42.0	8.5	5.5
212BWK2F1	38.10	54.1	19.0	35.2	54.8	12.2	6.4
212BWK2F2	38.10	54.1	19.0	35.0	54.8	12.7	7.0
216BWA2F1	50.80	71.8	25.4	58.0	80.0	17.0	8.4

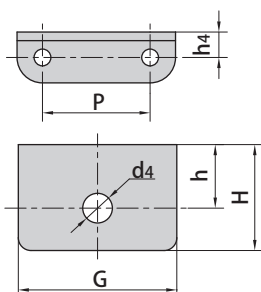
Conveyor chains with large rollers



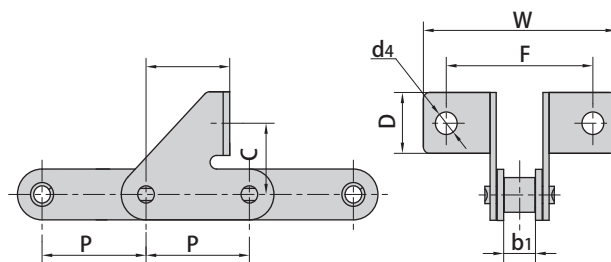
Donghua Chain No.	Pitch	Roller diameter		Width between inner plates	Pin diameter	Pin length	Plate dimension		Ultimate tensile strength	Average tensile strength
	P mm	d1 max mm	d8 max mm	b1 min mm	d2 max mm	L max mm	h2 max mm	t/T max mm	Q min kN/lbf	Q0 kN
16BS-65-C24	25.4	15.88	24.0	17.02	8.28	65.0	21.0	4.15/3.10	60.0/13636	72.8
208BS-35-C24	25.4	12.00	24.0	7.75	4.45	35.0	11.8	1.60	18.0/4091	19.8
*208BSF1-35-P24	25.4	12.00	24.0	7.75	4.45	35.0	11.8	1.60	18.0/4091	19.8
212BS-48-C28	38.1	12.07	28.0	11.68	5.72	48.0	16.0	1.85	28.9/6568	31.7
212BSF2	38.1	12.07	28.0	11.68	5.72	43.0	16.0	1.85	28.9/6568	31.7
212BSF3	38.1	12.07	28.0	11.68	5.72	48.0	16.0	1.85	28.9/6568	31.7
*212BSF4	38.1	12.07	24.0	11.68	5.72	48.0	16.0	1.85	28.9/6568	31.7
212BSF5-43-C28	38.1	12.07	28.0	11.68	5.72	43.0	16.0	1.85	28.9/6568	31.7
*216BS-65-P50	50.8	15.88	50.0	17.02	8.28	65.0	21.0	4.15/3.10	60.0/13636	72.8
216BS-65-C38.5	50.8	15.88	38.5	17.02	8.28	65.0	21.0	4.15/3.10	60.0/13636	72.8
216BS-65-C40	50.8	15.88	40.0	17.02	8.28	65.0	21.0	4.15/3.10	60.0/13636	72.8
63PS	63.0	40.00	50.0	24.50	14.00	91.5	35.0	5.10	90.0/20232	135.0
63PSF1	63.0	38.00	46.0	21.60	12.00	84.0	30.0	4.00	66.68/15000	85.0

Note: * means roller made in plastic.

Double pitch conveyor chain special attachments

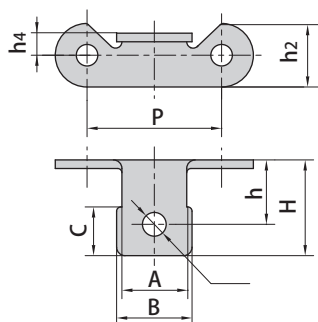


Donghua Chain No.	P	h	H	h4	G	d4
	mm	mm	mm	mm	mm	mm
C2042HF1	25.40	15.0	25.0	6.0	37.4	7.0

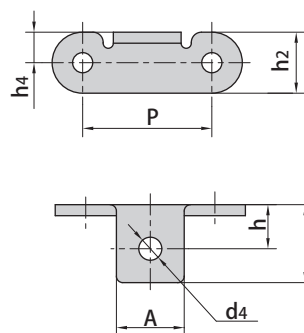


Donghua Chain No.	P	b1	F	W	C	D	E	d4
	mm	mm	mm	mm	mm	mm	mm	mm
C2050SD	31.75	9.4	45.0	59.0	21.2	18.0	25.7	6.6

C2052A1F1

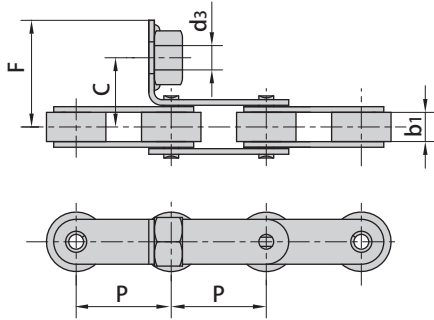


C2062HA1F4



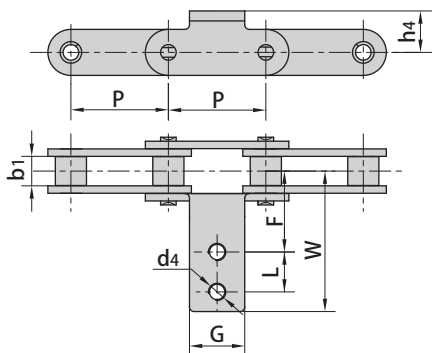
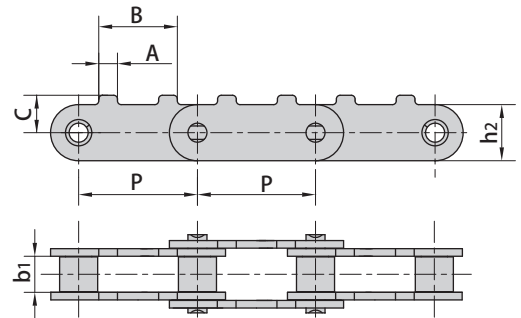
Donghua Chain No.	P	A	B	C	h	H	h2	h4	d4
	mm	mm	mm	mm	mm	mm	mm	mm	mm
C2052A1F1	31.75	15.3	17.8	11.5	14.7	22.6	15.0	5.2	6.5
C2062HA1F4	38.10	20.0	-	-	13.0	23.0	18.0	9.0	6.8

Double pitch conveyor chain special attachments



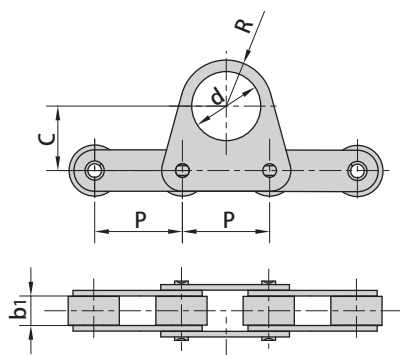
Donghua Chain No.	P	b ₁	C	F	d ₃
	mm	mm	mm	mm	mm
C2042F4	25.4	7.85	18.5	28.5	M8

Donghua Chain No.	P	b ₁	h ₂	A	B	C
	mm	mm	mm	mm	mm	mm
C2050F9	31.75	9.4	15.0	5.0	21.0	10.0



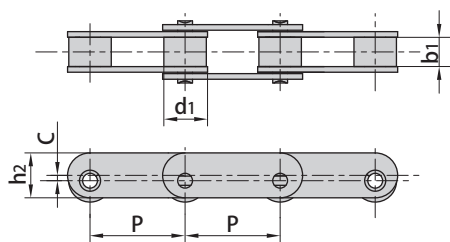
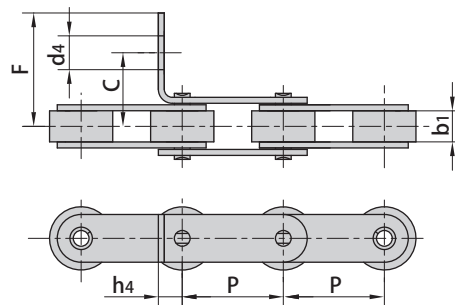
Donghua Chain No.	P	b ₁	G	L	F	W	h ₄	d ₄
	mm	mm	mm	mm	mm	mm	mm	mm
C2050HF2	31.75	9.4	18.0	13.0	36.1	56.5	13.5	M5

Double pitch conveyor chain special attachments

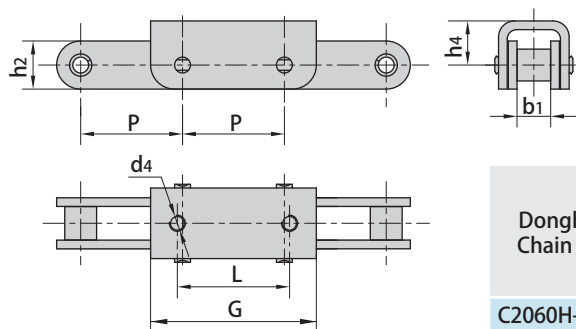


Donghua Chain No.	P	b1	C	d	R
	mm	mm	mm	mm	mm
C2062F5	38.1	12.57	28.0	30	20

Donghua Chain No.	P	b1	C	F	d4	h4
	mm	mm	mm	mm	mm	mm
C2042F8	25.4	7.85	17.75	28	8.5	10
C2062HF13	38.1	12.57	31.9	42.9	6	9.8
C224AF2	76.2	25.22	52.7	77.75	13	26.8

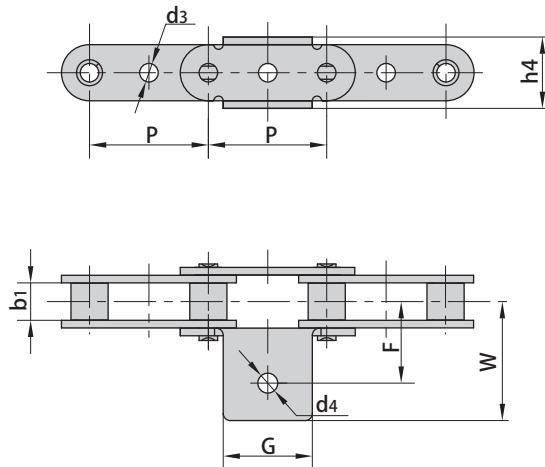


Donghua Chain No.	P	b1	C	h2	d1
	mm	mm	mm	mm	mm
C2062F6	38.1	12.57	3.0	23.0	22.23
C2082F8	50.8	15.75	3.5	25.0	28.58

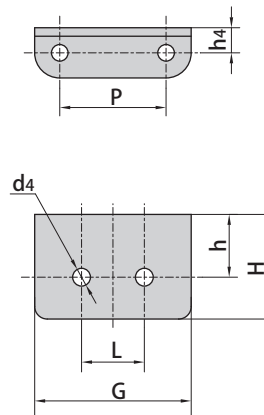


Donghua Chain No.	P	b1	L	G	d4	h2	h4
	mm	mm	mm	mm	mm	mm	mm
C2060H-U1F1	38.1	12.57	42.0	62.0	M6	18.0	16.5

Double pitch conveyor chain special attachments

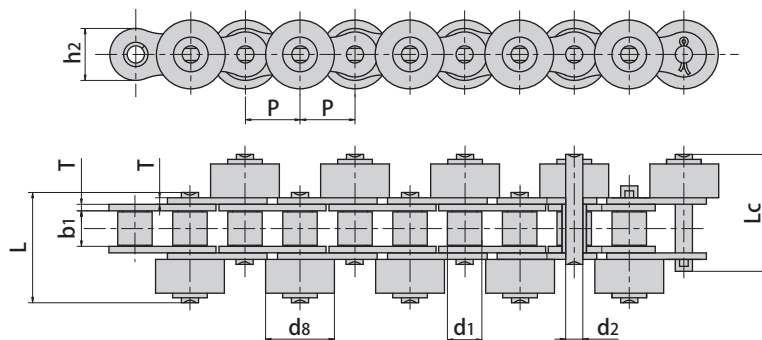


Donghua Chain No.	P	b1	G	F	W	h4	d4	d3
	mm	mm	mm	mm	mm	mm	mm	mm
C2080K1F4	50.8	15.75	38.1	40.0	56.0	30.5	8.5	-
C2080HGF1	50.8	15.75	36.0	38.0	46.0	28.4	6.0	8.1



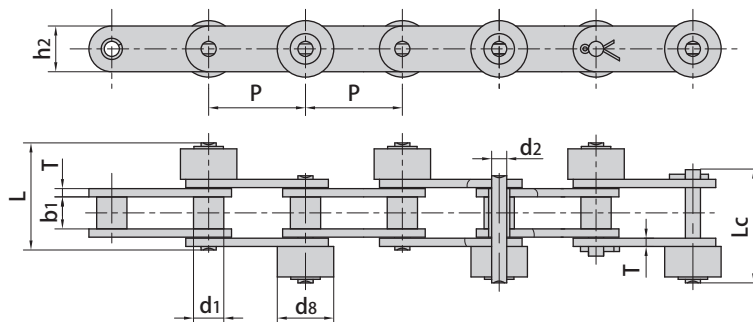
Donghua Chain No.	P	h	H	h4	G	L	d4
	mm	mm	mm	mm	mm	mm	mm
C2082HF1A2	50.8	17.7	29.7	18.0	74.8	30.0	8.5

Conveyor chains with outboard rollers



Donghua Chain No.	Pitch		Roller diameter		Width between inner plates		Pin diameter		Pin length		Plate dimension		Ultimate tensile strength	Average tensile strength	Weight per meter
	P	d1 max	d8 max	b1 min	d2 max	L max	Lc max	h2 max	T max	Q min	Q0	q			
	mm	mm	mm	mm	mm	mm	mm	mm	mm	kN/lbf	kN	kg/m			
*40S	12.700	7.95	15.88	7.85	3.96	25.8	27.0	12.0	1.50	13.8/3102	17.5	0.9			
40-PSR	12.700	7.95	15.88	7.85	3.96	25.8	27.0	12.0	1.50	13.8/3102	17.5	1.6			
50-SR-C	15.875	10.16	19.05	9.40	5.08	31.8	34.0	15.1	2.03	21.8/4900	29.4	2.4			
*60S	19.050	11.91	22.23	12.57	5.94	40.0	42.5	18.0	2.42	31.8/7227	41.5	1.9			
*80S	25.400	15.88	28.58	15.75	7.92	51.3	54.3	24.0	3.25	56.7/12886	69.4	3.6			
80S-C	25.400	15.88	28.58	15.75	7.92	51.3	54.3	24.0	3.25	56.7/12886	69.4	5.8			

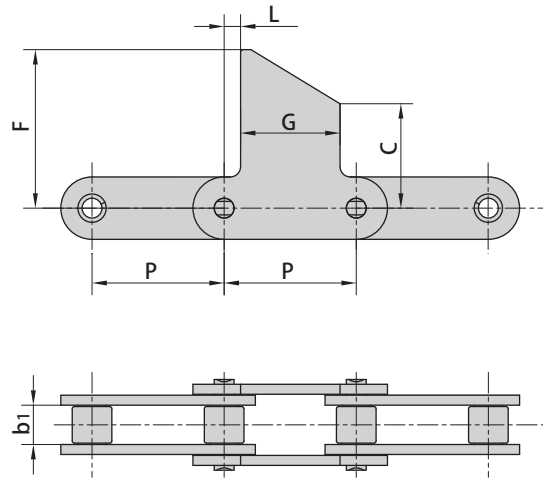
Note: * means roller made in plastic.



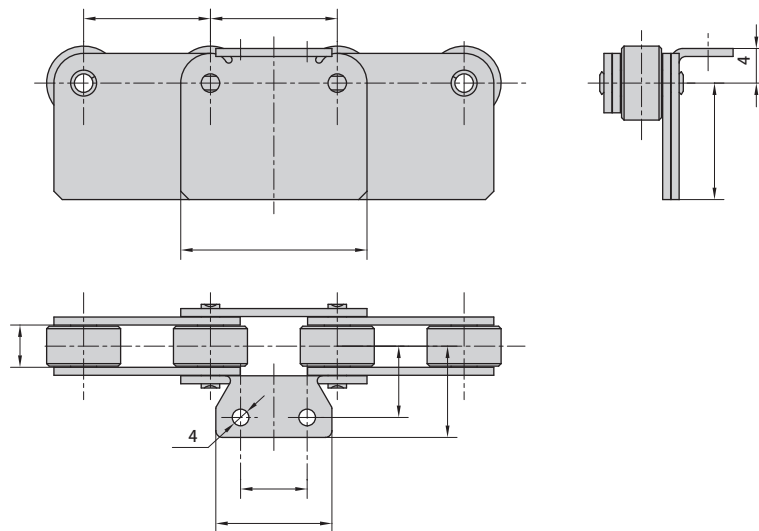
Donghua Chain No.	Pitch		Roller diameter		Width between inner plates		Pin diameter		Pin length		Plate dimension		Ultimate tensile strength	Average tensile strength	Weight per meter
	P	d1 max	d8 max	b1 min	d2 max	L max	Lc max	h2 max	T max	Q min	Q0	q			
	mm	mm	mm	mm	mm	mm	mm	mm	mm	kN/lbf	kN	kg/m			
C2040S2-PSR	25.40	7.95	15.88	7.85	3.96	25.8	27.0	12.0	1.50	13.8/3137	15.18	0.99			
C2050S	31.75	10.16	19.05	9.40	5.08	31.8	34.0	15.0	2.03	21.8/4955	23.90	1.52			
C2052SF1	31.75	19.05	27.00	9.40	5.08	35.0	37.3	15.0	2.03	21.8/4955	23.90	3.06			
*C2060HS	38.10	11.91	22.23	12.57	5.94	44.0	46.6	18.0	3.25	31.1/7069	42.70	1.78			
C2082HSF2	50.80	28.58	40.00	15.75	7.92	54.6	57.8	24.0	4.00	55.6/12500	69.40	6.64			
*C2100HS-P	63.50	19.05	39.69	18.90	9.53	65.3	68.6	30.0	4.80	86.7/19490	109.20	4.44			

Note:*means roller made in plastic

Double pitch conveyor chain special attachments

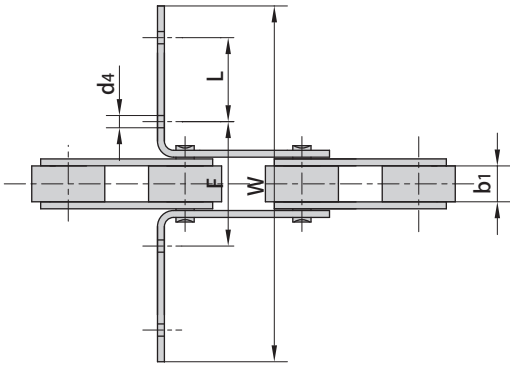


Donghua Chain No.	P	b ₁	L	G	C	F
	mm	mm	mm	mm	mm	mm
C2100HF4	63.5	18.9	7.9	47.8	50.8	76.2

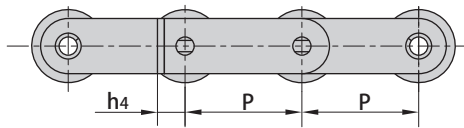


Donghua Chain No.	P	b ₁	L	G ₁	G	h ₄	d ₄	C	F	W
	mm	mm	mm	mm	mm	mm	mm	mm	mm	mm
C224ALK2F2	76.2	25.22	40.0	70.0	111.9	20.8	10.0	70.0	43.0	55.0

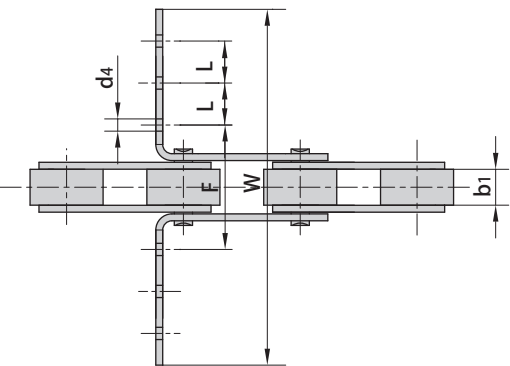
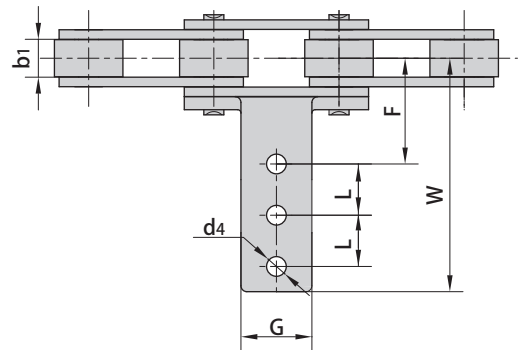
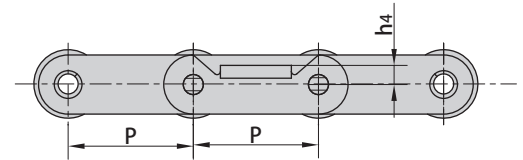
Double pitch conveyor chain special attachments



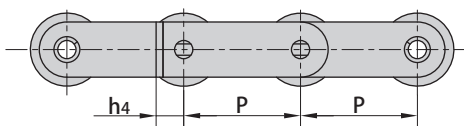
Donghua Chain No.	P	b1	L	F	W	h4	d4
	mm	mm	mm	mm	mm	mm	mm
C2080HF6	50.8	15.75	43.0	60.0	160.0	20.45	5.5
C2080HF11	50.8	15.75	30.0	110.0	210.0	19.00	8.2



Donghua Chain No.	P	b1	G	L	F	W	h4	d4
	mm	mm	mm	mm	mm	mm	mm	mm
C2082HF4	50.8	15.75	28.6	50.8	57.4	181.4	8.7	11.1

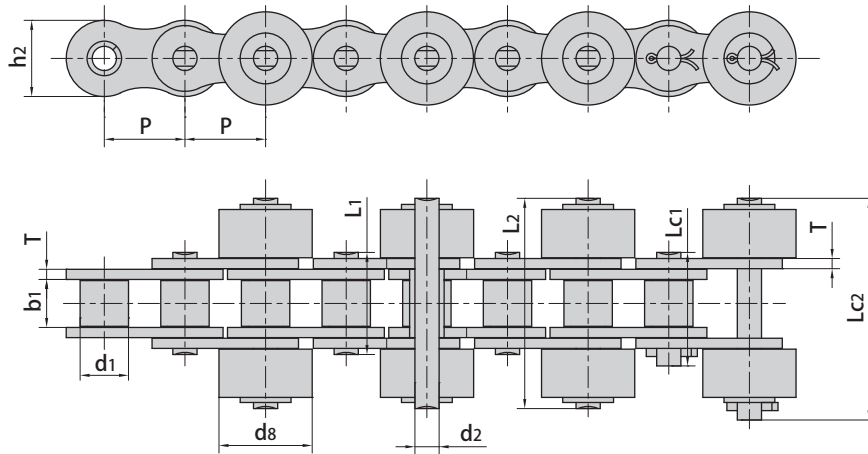


Donghua Chain No.	P	b1	L	F	W	h4	d4
	mm	mm	mm	mm	mm	mm	mm
C2100HF2	63.5	18.9	52.5	70.0	300.0	30.0	5.5

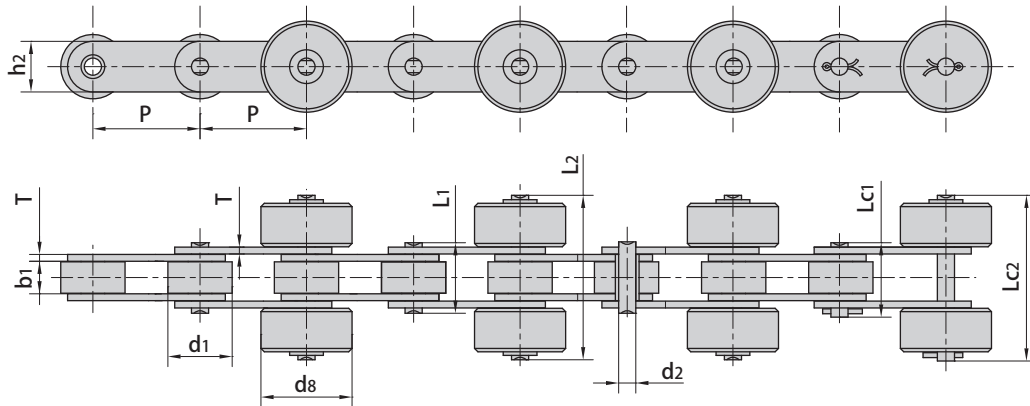


Conveyor chains with outboard rollers

CONVEYOR CHAINS



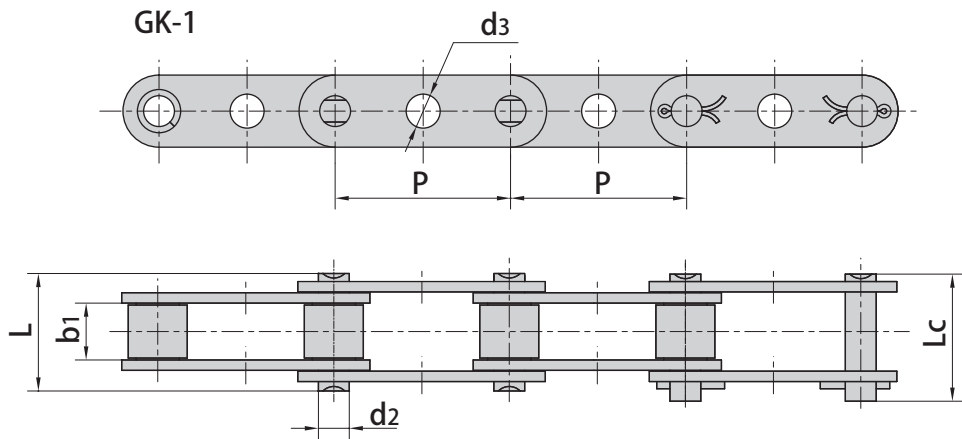
Donghua Chain No.	Pitch	Roller diameter		Width between inner plates	Pin diameter	Pin length				Plate dimension		Ultimate tensile strength	Weight per meter
	P	d1 max	d8 max	b1 min	d2 max	L1 max	L2 max	Lc1 max	Lc2 max	h2 max	T max	Q min	q
	mm	mm	mm	mm	mm	mm	mm	mm	mm	mm	mm	kN/lbf	kg/m
40S2-SR	12.700	7.95	15.88	7.85	3.96	16.6	35.3	18.8	37.2	12.00	1.50	14.1/3169	1.64
50SF1-C	15.875	10.16	19.05	9.40	5.08	20.7	42.8	23.3	45.0	15.09	2.03	21.8/4900	2.41
60S2-C	19.050	11.91	22.23	12.57	5.94	25.9	54.0	28.3	56.6	18.00	2.42	31.8/7149	3.62
100S2	31.750	9.53	36.70	18.90	9.53	40.4	83.0	44.7	87.0	30.00	4.00	86.7/49490	9.09



Donghua Chain No.	Pitch	Roller diameter		Width between inner plates	Pin diameter	Pin length				Plate dimension		Ultimate tensile strength	Weight per meter
	P	d1 max	d8 max	b1 min	d2 max	L1 max	L2 max	Lc1 max	Lc2 max	h2 max	T max	Q min	q
	mm	mm	mm	mm	mm	mm	mm	mm	mm	mm	mm	kN/lbf	kg/m
C2050S2	31.75	10.16	19.05	9.40	5.08	/	42.8	/	45.0	15.0	2.03	21.8/4899	2.20
*C2052SF2-P25.4	31.75	19.05	25.40	9.40	5.08	20.7	49.2	23.3	51.1	15.0	2.03	21.8/4900	1.23
C2060HS-C	38.10	11.91	30.00	12.57	5.94	29.2	57.6	31.6	59.2	18.0	3.25	31.8/7149	3.42
C2062HS-C	38.10	22.23	30.00	12.57	5.94	/	57.6	/	59.2	18.0	3.25	31.8/7149	5.97

Note: * means roller made in plastic.

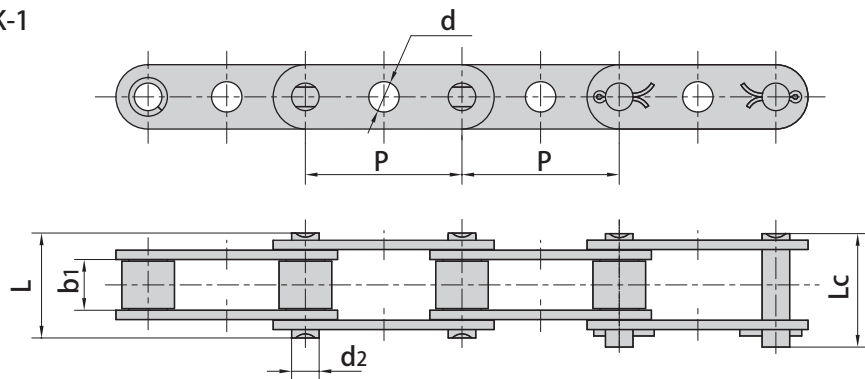
Double pitch conveyor chain special attachments



ISO Chain No.	ANSI Chain No.	P	b1	d2	d3	L	Lc
		mm	mm	mm	mm	mm	mm
C208A C208AL	C2040 C2042	25.40	7.85	3.96	4.1	16.6	18.8
C210A C210AL	C2050 C2052	31.75	9.40	5.08	5.1	20.7	23.3
C212A C212AL	C2060 C2062	38.10	12.57	5.94	6.1	25.9	28.3
C212AH C212AHL	C2060H C2062H	38.10	12.57	5.94	6.1	29.2	31.6
C216A C216AL	C2080 C2082	50.80	15.75	7.92	8.1	32.7	36.5
C216AH C216AHL	C2080H C2082H	50.80	15.75	7.92	8.1	36.2	39.4
C220A C220AL	C2100 C2102	63.50	18.90	9.53	10.1	40.4	44.7
C220AH C220AHL	C2100H C2102H	63.50	18.90	9.53	10.1	43.6	46.9

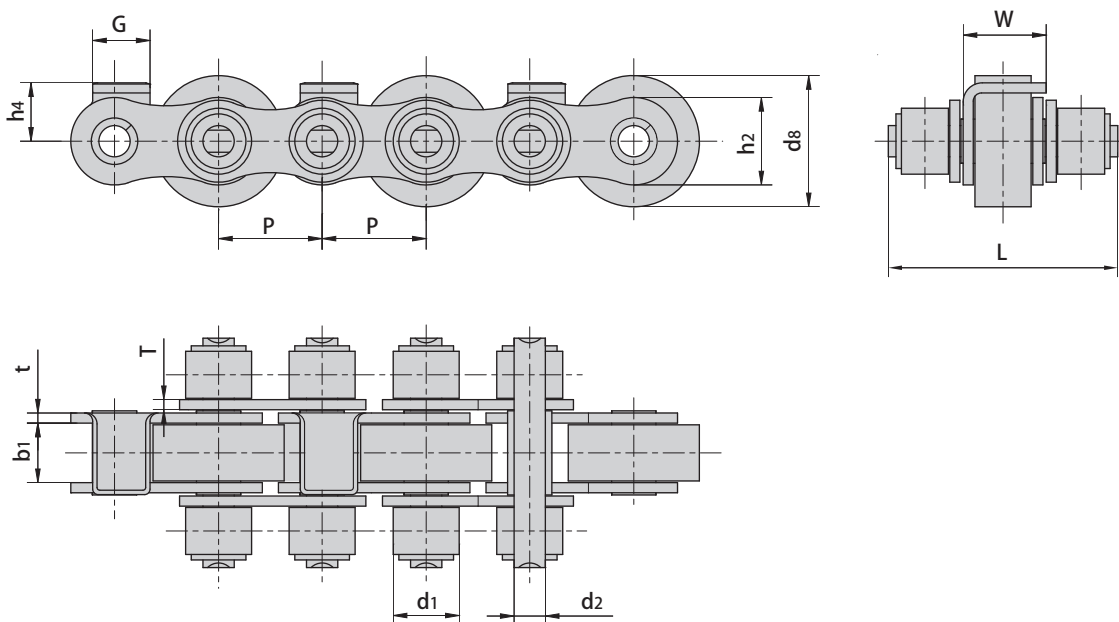
Double pitch conveyor chain special attachments

GK-1



Donghua Chain No.	P	b ₁	d ₂	d ₃	L	L _c
	mm	mm	mm	mm	mm	mm
C2040GKF6	25.40	7.85	3.96	6.10	16.6	18.8
C2050GKF2	31.75	9.40	5.08	8.10	20.7	22.2
C2050GKF3	31.75	9.40	5.08	8.10	20.7	22.2
C2050GKF4	31.75	9.40	5.08	7.00	20.7	22.2
C2050GKF5	31.75	9.40	5.08	7.10	20.7	22.2
C2050GKF6	31.75	9.40	5.08	6.00	20.7	22.2
C2050GKF7	31.75	9.40	5.08	6.10	20.7	22.2
C2050GKF8	31.75	9.40	5.08	8.30	20.7	22.2
C2050HGK	31.75	9.40	5.08	8.20	22.1	23.4
C2050HGKF1	31.75	9.40	5.08	7.00	22.1	23.4
C2052HGKF3	31.75	9.40	5.08	6.00	22.1	23.4
C2050HGKF4	31.75	9.40	5.08	8.10	22.1	23.4
C2060GKF1	38.10	12.57	5.94	8.00	25.9	27.7
C2060GKF2	38.10	12.57	5.94	8.10	25.9	27.7
C2060GKF3	38.10	12.57	5.94	6.20	25.9	27.7
C2060GKF8	38.10	12.57	5.94	8.80	25.9	27.7
C2060HGKF3	38.10	12.57	5.94	8.20	29.2	31.6
C2060HGKF4	38.10	12.57	5.94	8.30	29.2	31.6
C2060HGKF5	38.10	12.57	5.94	6.00	29.2	31.6
C2060HGKF6	38.10	12.57	5.94	8.30	29.2	31.6
C2060HGKF7	38.10	12.57	5.94	10.00	29.2	31.6
C2060HGKF10	38.10	12.57	5.94	8.80	29.2	31.6
C2060HF9	38.10	12.57	5.94	7.95	29.2	31.6
C2060HF69GK	38.10	12.57	5.94	8.33	28.7	30.8
C2080HGKF2	50.80	15.75	7.92	7.90	36.2	39.4
C2080HGKF6	50.80	15.75	7.92	11.00	36.2	39.4
C2080HGKF12	50.80	15.75	7.92	10.97	36.2	38.9
C220AGK	63.50	18.90	9.53	8.00	40.4	44.7
C208BGKF1	25.40	7.75	4.45	6.00	16.7	18.2
C208BGKF3	25.40	7.75	4.45	4.50	17.7	20.1
C208BGKF4	25.40	7.75	4.45	6.10	16.7	18.2
C208BGKF6	25.40	7.75	4.45	6.00	16.7	19.3
C210BF2GK	31.75	7.00	5.08	5.97	16.5	-

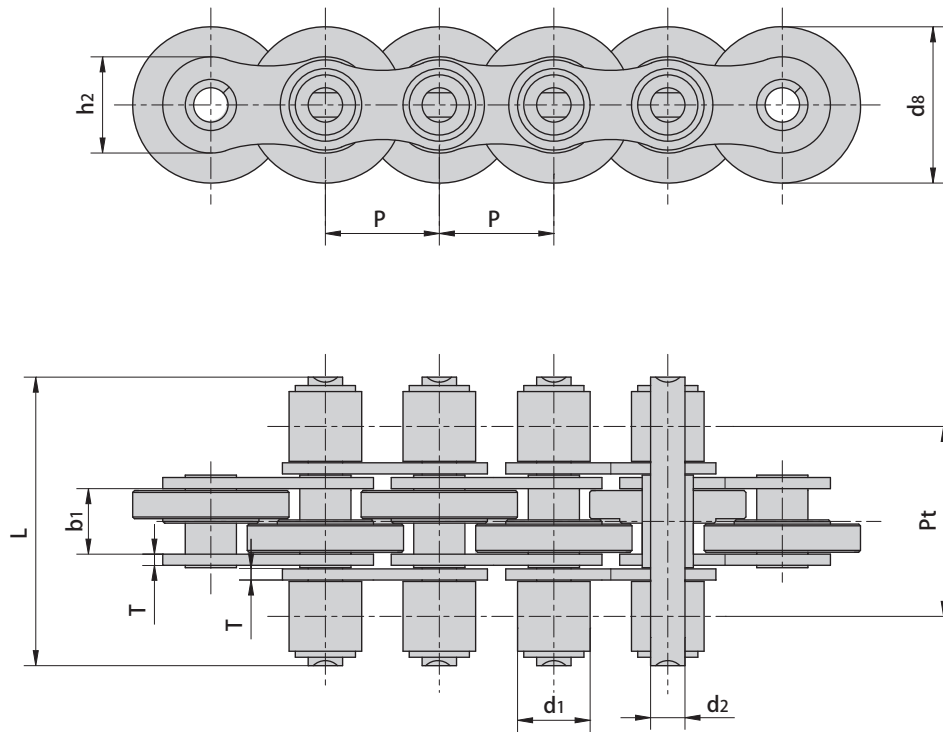
Conveyor chains with attachments



Donghua Chain No.	Pitch	Roller diameter		Width between inner plates		Pin diameter	Pin length	Plate dimension		Attachment dimension			Ultimate tensile strength
	P mm	d1 max mm	d8 max mm	b1 min mm	d2 max mm	L max mm	h2 max mm	t/T max mm	h4 mm	G mm	W mm	Q min kN/lbf	
12BSF5-48-C24	19.05	12.07	24.0	11.40	5.72	48.0	16.0	1.85	10.0	8.4	13.5	29.0/6518	
12BSF5-43-C26	19.05	12.07	26.0	11.40	5.72	43.0	16.0	1.85	10.0	8.4	15.0	29.0/6519	
12BSF5-40-C28	19.05	12.07	28.0	11.40	5.72	40.0	16.0	1.85	10.0	8.4	15.0	29.0/6520	
12BSF5-43-P28	19.05	12.07	28.0	11.40	5.72	43.0	16.0	1.85	10.0	10.5	15.0	29.0/6521	
12BSF8-40-C28	19.05	12.07	28.0	11.40	5.72	40.0	16.0	1.85	10.0	8.0	15.0	29.0/6522	
16BSF2-65-C38	25.40	15.88	38.5	17.02	8.28	65.0	21.0	4.15/3.10	16.5	12.0	24.0	60.0/13636	

Note: P means roller made in plastic, C means roller made in steel.

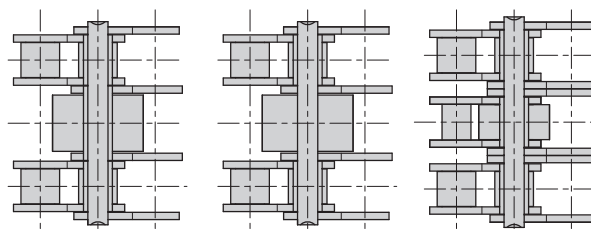
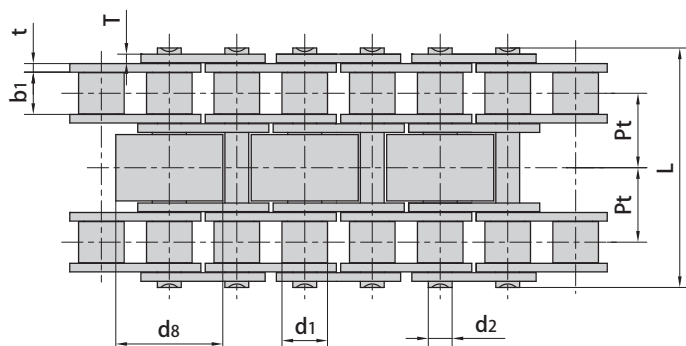
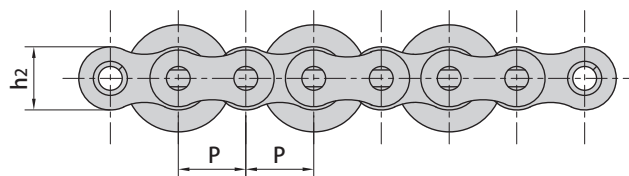
Conveyor chains with special rollers



Donghua Chain No.	Pitch	Roller diameter		Width between inner plates	Pin diameter	Pin length	Plate dimension		Transverse pitch	Ultimate tensile strength	Average tensile strength
	P	d1 max	d8 max	b1 min	d2 max	L max	h2 max	T max	Pt	Q min	Q0
	mm	mm	mm	mm	mm	mm	mm	mm	mm	kN/lbf	kN
12BS3-40-C27/P27	19.05	12.07	27.0	11.68	5.72	40.0	16.0	1.85	27.0	29.0/6518	66.1
12BS3F1-48-C26	19.05	12.07	26.0	11.40	5.72	48.0	16.0	1.85	31.7	29.0/6519	67.1

Note: P means roller made in plastic, C means roller made in steel.

Conveyor chains with special rollers



Type A

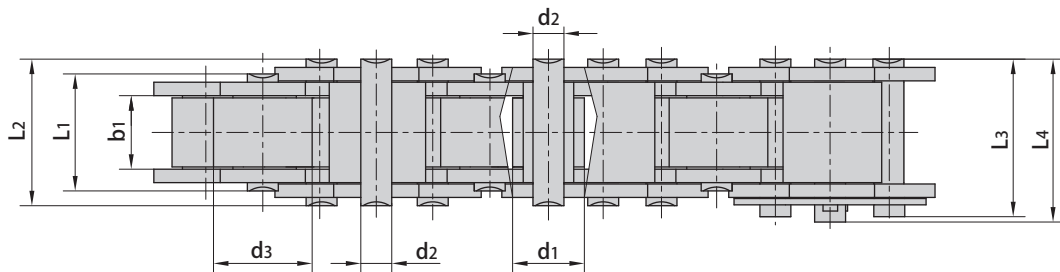
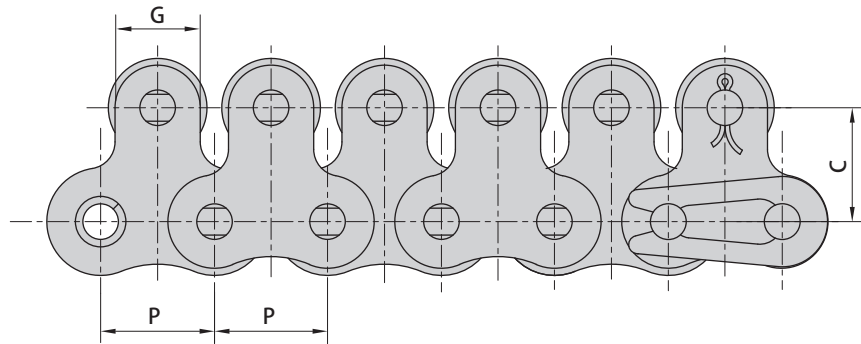
Type B

Type C

Donghua Chain No.	Pitch	Roller diameter		Width between inner plates	Pin diameter	Pin length	Plate dimension		Transverse pitch	Ultimate tensile strength	Average tensile strength	Type
	P	d1 max	d8 max	b1 min	d2 max	L max	h2 max	t/T max	Pt	Q min	Q0	
	mm	mm	mm	mm	mm	mm	mm	mm	mm	kN/lbf	kN	
06BS-3-C15/P15	9.525	6.35	15.0	5.72	3.28	33.5	8.2	1.30	10.24	16.9/3841	18.7	B
A06BF3S-3-C15/P15	9.525	6.35	15.0	5.72	3.28	33.5	8.4	1.30	10.24	16.9/3841	18.7	B
08BS-3-45-C16	12.700	8.51	16.0	7.75	4.45	45.1	11.8	1.60	13.92	32.0/7273	38.7	A
08BS-3-45-C17	12.700	8.51	17.0	7.75	4.45	45.1	11.8	1.60	13.92	32.0/7273	38.7	A
08BS-3-45-C20	12.700	8.51	20.0	7.75	4.45	45.1	11.8	1.60	13.92	32.0/7273	38.7	A
08BSF6-3-45-C20	12.700	8.51	20.0	7.75	4.45	45.1	11.8	1.60	13.92	32.0/7273	38.7	B
12AF90-3-71-C28	19.050	11.91	28.0	12.57	5.94	71.5	18.0	2.42	22.78	62.6/14073	82.0	B
12BS-3-62-C28/P28	19.050	12.07	28.0	11.68	5.72	61.5	16.0	1.85	19.46	57.8/13136	66.1	A
12BS-3-62-C31	19.050	12.07	31.0	11.68	5.72	61.5	16.0	1.85	19.46	57.8/13136	66.1	B
12BSF10-3-62-C26	19.050	12.07	26.0	11.68	5.72	61.5	16.0	1.85	19.46	86.7/19705	101.8	C
12BSF10-3-62-C28	19.050	12.07	28.0	11.68	5.72	61.5	16.0	1.85	19.46	86.7/19706	101.8	C
12BF45-3-C28/P28	19.050	12.07	28.0	11.68	5.72	61.5	16.0	1.85	19.46	57.8/13136	66.1	B

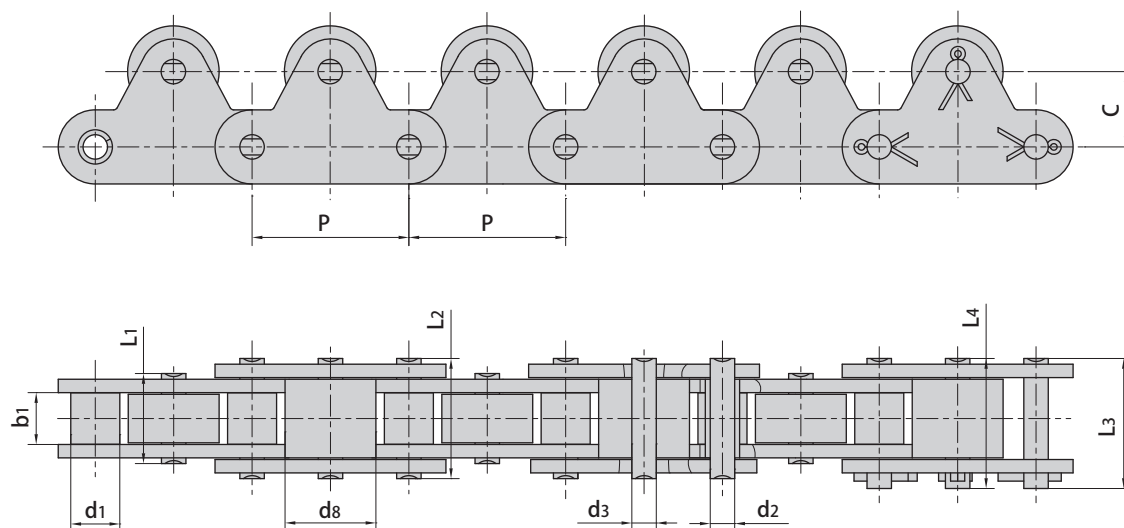
Note: P means roller made in plastic, C means roller made in steel.

Short pitch conveyor chains with top rollers



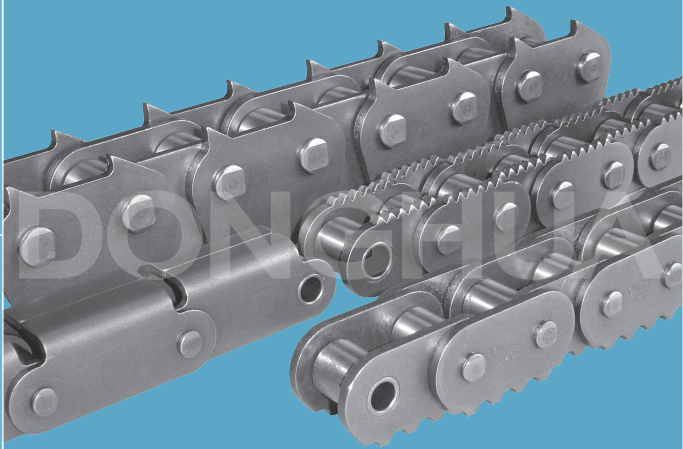
Donghua Chain No.	Pitch	Roller diameter		Width between inner plates		Pin length				Attachment dimension		Ultimate tensile strength	Weight per meter
	P mm	d1 max mm	d3 max mm	b1 min mm	d2 max mm	L1 max mm	L2 max mm	L3 max mm	L4 max mm	G mm	C mm	Q min kN/lbf	q kg/m
40-1-1LTR	12.700	7.95	11.0	7.85	3.96	13.5	16.6	17.8	18.8	9.5	12.7	14.1/3250	1.44
50-1-1LTR	15.875	10.16	15.0	9.40	5.08	16.5	20.7	22.2	23.3	12.7	15.9	22.2/5405	2.30
60-1-1LTR	19.050	11.91	18.0	12.57	5.94	21.0	25.9	27.7	28.3	15.9	18.3	31.8/7227	3.40
80-1-1LTR	25.400	15.88	24.0	15.75	7.92	26.2	32.7	35.0	36.5	19.1	24.6	56.7/12886	5.90
100-1-1LTR	31.750	19.05	30.0	18.90	9.53	32.3	40.4	44.7	44.7	25.4	31.8	88.5/20114	8.90

Double pitch conveyor chains with top rollers

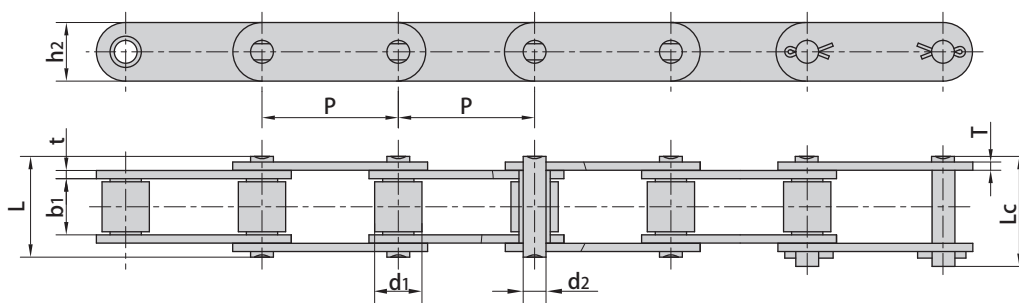


Donghua Chain No.	Pitch	Roller diameter		Width between inner plates	Pin diameter	Pin length				Attachment dimension		Ultimate tensile strength	Weight per meter
	P mm	d1 max mm	d8 max mm	b1 min mm	d2 max mm	L1 max mm	L2 max mm	L3 max mm	L4 max mm	C mm	d3 mm	Q min kN/lbf	q kg/m
C2040-1LTR	25.40	7.95	15.88	7.85	3.96	13.5	16.6	17.8	18.8	12.7	3.96	14.1/3205	1.31
C2050-1LTR	31.75	10.16	19.05	9.40	5.08	16.5	20.7	22.2	23.3	15.9	5.08	22.2/5045	2.03
C2060-1LTR	38.10	11.91	22.23	15.57	5.94	21.0	25.9	27.7	28.3	18.3	5.94	31.8/7227	2.89
C2080-1LTR	50.80	15.88	28.58	15.75	7.92	26.2	32.7	35.0	36.5	29.0	11.5	56.7/12886	4.54
C2010-1LTR	63.50	19.05	39.67	18.90	9.53	32.3	40.4	44.7	44.7	35.4	14.5	88.5/20114	7.72
C2040-1LTRF2	25.40	7.95	15.88	7.85	3.96	13.5	16.6	17.8	18.8	15.0	3.96	14.1/3205	1.24
C2050-1LTRF3	31.75	10.16	19.05	9.40	5.08	16.5	20.7	22.2	23.3	19.0	5.08	22.2/5045	1.91
C2060-1LTRF6	38.10	11.91	22.23	15.57	5.94	21.0	25.9	27.7	28.3	23.0	5.94	31.8/7227	2.80
C2100-1LTRF2	63.50	19.05	39.67	18.90	9.53	32.3	40.4	44.7	44.7	31.8	9.53	88.5/20114	7.42

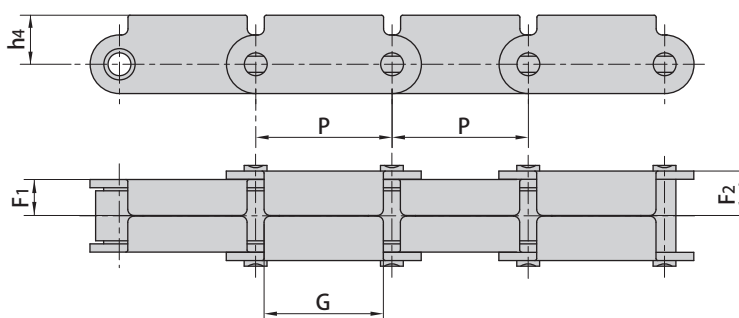
LUMBER CONVEYOR CHAINS & ATTACHMENTS



Lumber conveyor chains & attachments

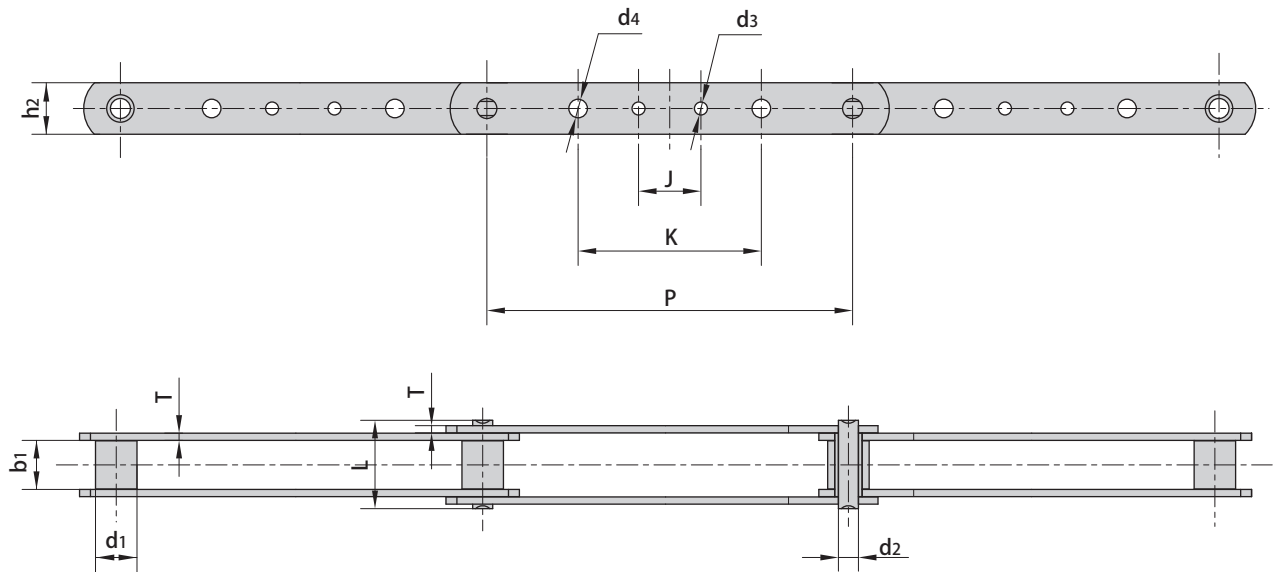


Donghua Chain No.	Pitch	Roller diameter	Width between inner plates	Pin diameter	Pin length		Inner plate depth	Plate thickness	Ultimate tensile strength	Average tensile strength	Weight per meter
	P	d ₁ max	b ₁ min	d ₂ max	L max	L _c max	h ₂ max	t/T max	Q min	Q ₀	q
	mm	mm	mm	mm	mm	mm	mm	mm	kN/lbf	kN	kg/m
81X	66.27	23.00	27.00	11.10	49.0	53.5	28.50	4.00	106.7/24250	128.9	3.78
81XH	66.27	23.00	27.78	11.10	60.7	65.1	31.35	7.94/5.55	151.9/34523	175.7	5.88
81XHE	66.27	22.20	27.00	11.10	59.5	63.0	28.50	6.30	83.3/18927	89.1	5.09
81XF14	66.27	23.00	27.00	11.10	50.8	53.8	28.70	4.00	85.5/19426	91.4	3.78
81XHH	66.27	23.00	27.78	11.10	65.6	70.0	31.35	7.94	191.1/43432	212.6	6.70
81XHS	66.27	23.00	27.00	11.10	63.6	68.0	31.80	7.60	152.0/34545	177.2	6.55
500R	50.00	25.40	25.40	14.63	52.0	56.4	40.00	5.00	100.0/22727	114.5	7.13
441.100R	100.00	25.40	25.40	14.63	52.0	56.4	40.00	5.00	100.0/22727	114.5	5.15



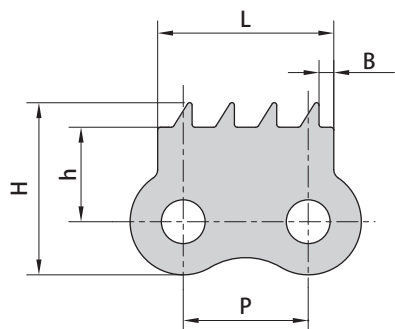
Donghua Chain No.	P	F ₁	F ₂	G	h ₄
	mm	mm	mm	mm	mm
81XF1(RT)	66.27	17.5	21.8	58.0	23.85

Lumber conveyor chains & attachments

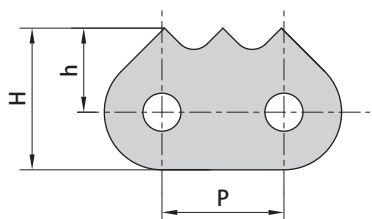


Donghua Chain No.	Pitch	Roller diameter	Width between innerplates	Pin dimension			Plate dimension				Plate thickness	Ultimate tensile strength	Average tensile strength	Weight per meter
	P	d1 max	b1 min	d2 max	L max	h2 max	d3 max	d4 max	J max	K max	T max	Q min	Q0	q
	mm	mm	mm	mm	mm	mm	mm	mm	mm	mm	mm	kN/lbf	kN	kg/m
3939-B4	203.2	23.0	27.0	11.1	49.0	28.58	7.2	7.2	38.1	101.6	4.0	115.58/26268	136.5	2.45
3939-B21	203.2	23.0	27.0	11.1	49.0	28.58	7.2	-	38.1	-	4.0	115.58/26268	136.5	2.45
3939-B23	203.2	23.0	27.0	11.1	49.0	28.58	-	10.3	-	92.1	4.0	115.58/26268	136.5	2.45
3939-B24	203.2	23.0	27.0	11.1	49.0	28.58	-	7.2	-	101.6	4.0	115.58/26268	136.5	2.48
3939-B40	203.2	23.0	27.0	11.1	49.0	28.58	-	10.3	-	101.6	4.0	115.58/26268	136.5	2.45
3939-B43	203.2	23.0	27.0	11.1	49.0	28.58	7.2	10.3	38.1	92.1	4.0	115.58/26268	136.5	2.42
3939-B44	203.2	23.0	27.0	11.1	49.0	28.58	7.2	10.3	38.1	101.6	4.0	115.58/26268	136.5	2.45
3939H-B4	203.2	23.0	27.0	11.1	58.0	28.60	-	7.2	38.0	102.0	6.4	150.00/34082	172.5	3.51

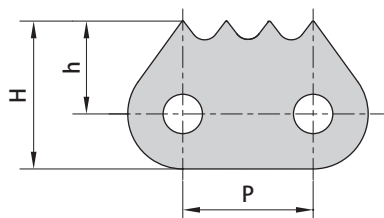
Sharp top chains



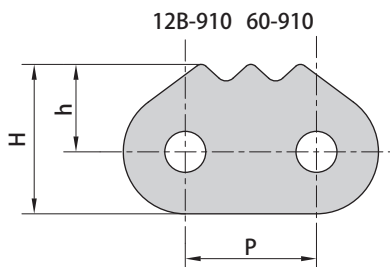
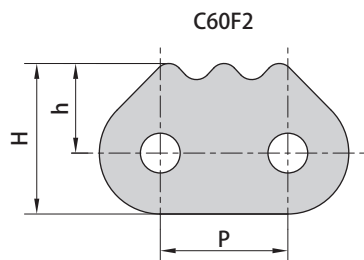
Donghua Chain No.	P	h	H	B	L
	mm	mm	mm	mm	mm
08B-940	12.7	9.6	17.5	1.5	17.9



Donghua Chain No.	P	h	H
	mm	mm	mm
16AF1	25.4	17.5	29.5
C16A-3PEP	25.4	17.4	29.0
C16BF3	25.4	18.7	29.2



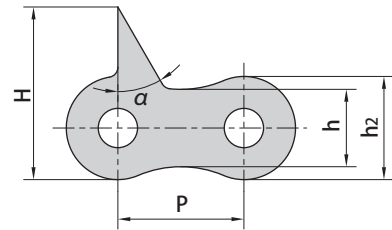
Donghua Chain No.	P	h	H
	mm	mm	mm
12BF3	19.05	13.5	21.5
C16A-1170	25.40	16.5	28.0
16B-1170	25.40	16.0	26.5
16B-1172	25.40	15.0	25.5
C24B-4STC	38.10	18.3	35.0



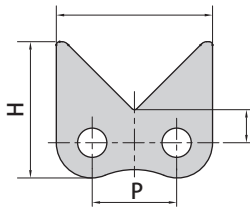
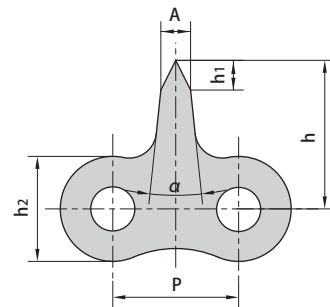
Donghua Chain No.	P	h	H
	mm	mm	mm
12B-910	19.05	13.70	21.70
60-910	19.05	12.70	21.70
C60F2	19.05	13.38	22.48

Sharp top chains

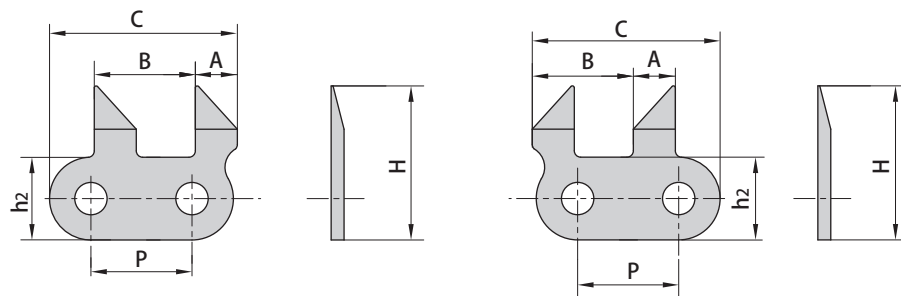
Donghua Chain No.	P	h	h ₂	H	α
	mm	mm	mm	mm	
08A-D2-F1	12.7	7.8	10.4	17.4	30°
08AF34	12.7	7.8	10.4	17.9	30°



Donghua Chain No.	P	h ₁	h ₂	h	A	α
	mm	mm	mm	mm	mm	
08BF21	12.7	3.0	10.6	15.0	3.0	12°

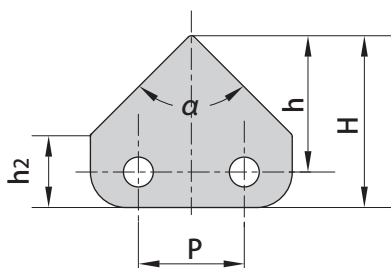


Donghua Chain No.	P	H	h	G
	mm	mm	mm	mm
08BF73	12.7	20.5	5	23.5

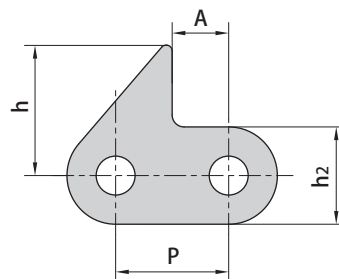


Donghua Chain No.	P	A	B	C	h ₂	H
	mm	mm	mm	mm	mm	mm
10AF8	15.875	6.6	15.875	29.5	13	24.2

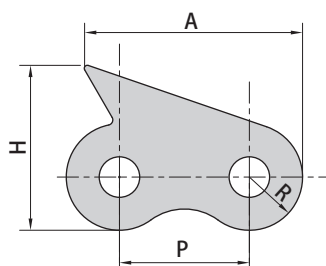
Sharp top chains



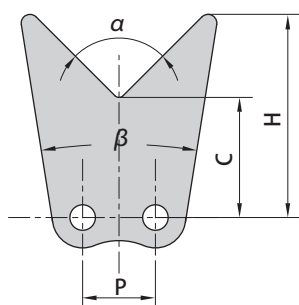
Donghua Chain No.	P	H	h	h ₂	α
	mm	mm	mm	mm	
41F6	12.7	20.6	16.35	8.7	90°



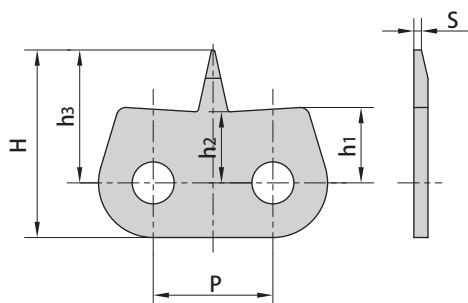
Donghua Chain No.	P	h ₂	h	A
	mm	mm	mm	mm
06BF1	9.525	8.2	11.0	4.76
06BF37	9.525	8.2	10.0	4.76
08AF41	12.700	10.4	11.8	6.35



Donghua Chain No.	P	R	H	A
	mm	mm	mm	mm
08BF44	12.7	5.3	16.30	23.30
08AF8	12.7	5.2	16.13	21.34

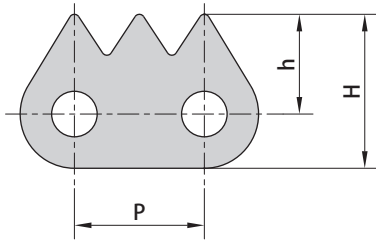


Donghua Chain No.	P	C	H	α	β
	mm	mm	mm		
428HJF1	12.7	21.5	36.15	90°	18°
428HJF2	12.7	14.5	33.60	90°	34°



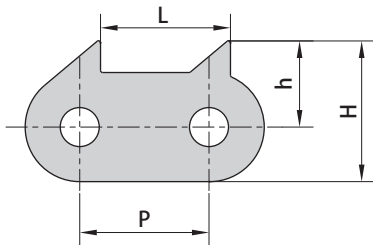
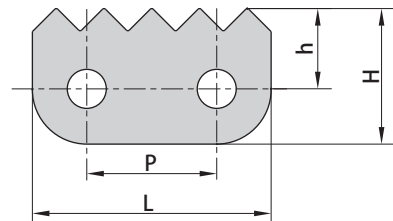
Donghua Chain No.	P	h ₁	h ₂	h ₃	H	s
	mm	mm	mm	mm	mm	mm
08BF11	12.7	8.0	7.8	14.1	19.9	0.8

Sharp top chains



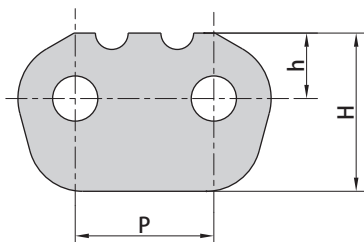
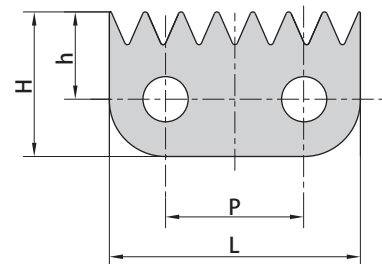
Donghua Chain No.	P mm	h mm	H mm
08BF71	12.7	9.75	15.05

Donghua Chain No.	P mm	h mm	H mm	L mm
C10B-5STCF1	15.875	11.3	18.8	30.9
10AF42	15.875	11.5	19.0	30.9
12B-911	19.050	11.9	20.0	35.0



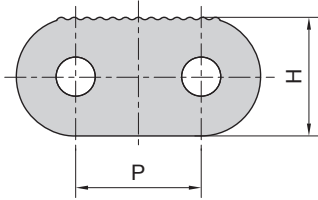
Donghua Chain No.	P mm	h mm	H mm	L mm
C12B-9010	19.05	13.0	21.0	19.05
C12B-940	19.05	13.2	22.3	19.75
C16B-1160	25.40	10.5	27.5	25.40
C16B-1161	25.40	10.5	27.5	25.40
C16A-1160	25.40	18.0	29.5	25.40

Donghua Chain No.	P mm	h mm	H mm	L mm
16B-1187	25.4	16.0	26.5	46

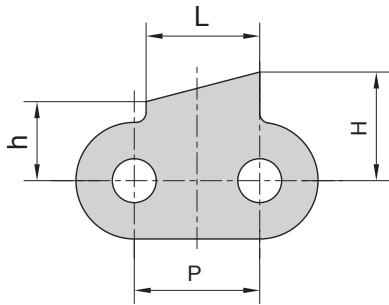


Donghua Chain No.	P mm	h mm	H mm
16BF45	25.4	12.0	29.0

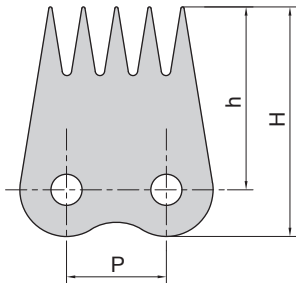
Sharp top chains



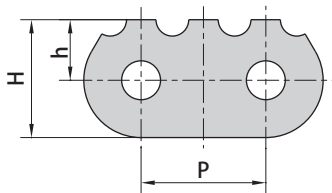
Donghua Chain No.	P mm	H mm
C40-13STC	12.7	12.0



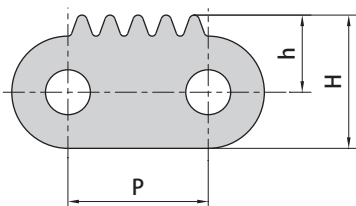
Donghua Chain No.	P mm	h mm	H mm	L mm
08BF128	12.7	8.0	11.0	11.5



Donghua Chain No.	P mm	h mm	H mm
12AF91	19.05	34.9	43.8

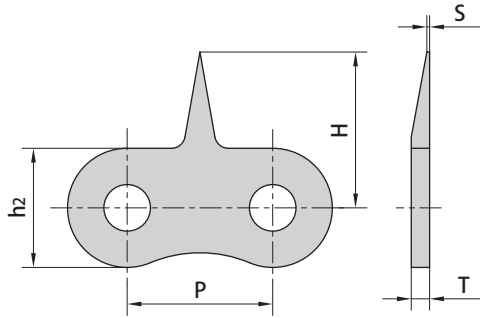


Donghua Chain No.	P mm	h mm	H mm
60-911	19.05	9.25	18.00
60-912	19.05	9.20	17.95

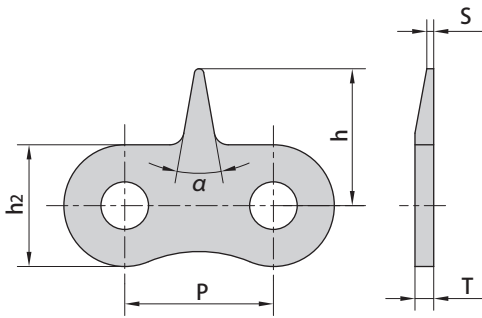


Donghua Chain No.	P mm	h mm	H mm
LL1044F1	15.875	8.73	15.08

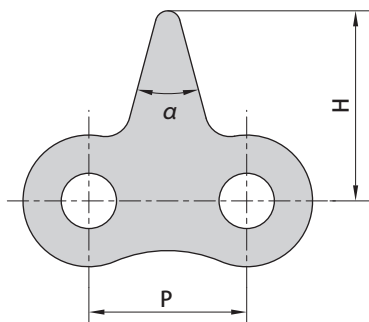
Sharp top chains



Donghua Chain No.	P mm	h ₂ mm	H mm	S mm	T mm
08AF29	12.700	10.60	15.6	-	1.50
08BF90	12.700	10.60	17.0	0.3	1.60
10AF15	15.875	15.09	17.0	-	2.03
10AF2	15.875	13.00	17.0	0.3	2.03
10AF23	15.875	13.00	20.8	0.3	2.03
10AF48	15.875	13.00	16.9	-	2.03
10BF50	15.875	13.70	17.0	0.3	1.70

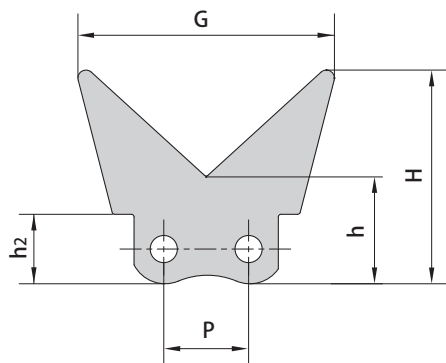


Donghua Chain No.	P mm	h ₂ mm	h mm	T mm	S mm	α
08BF25	12.70	10.6	15.6	1.60	-	30°
08BF29	12.70	10.6	14.5	1.60	0.8	30°
08BF30	12.70	10.6	14.5	1.60	0.3	30°
08BF35	12.70	10.6	21.5	1.60	0.6	30°
08BF67	12.70	10.6	16.1	1.60	0.3	30°
12B-1STCF1	19.05	15.0	19.0	1.85	-	30°

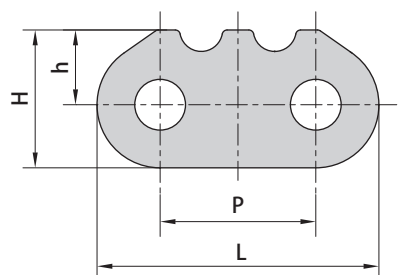


Donghua Chain No.	P mm	H mm	α
06BF39	9.525	11.00	30°
08AF10	12.700	15.60	30°
08BF30	12.700	14.50	30°
08BF38	12.700	14.60	40°
08BF5	12.700	15.30	30°
08BF51	12.700	14.00	50°
08BF56	12.700	14.40	30°
08BF86	12.700	15.00	50°
08BSSF11	12.700	14.60	40°
10AF7	15.875	15.88	21°
10BF40	15.875	17.40	25°
12A-1STCF1	19.050	25.00	28°
12B-1STCF1	19.050	19.00	30°
16AF44	25.400	31.80	50°
20A-1STCF1	31.750	53.00	82.1°

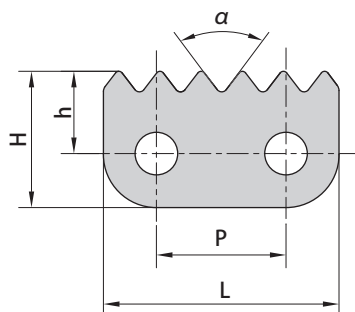
Sharp top chains



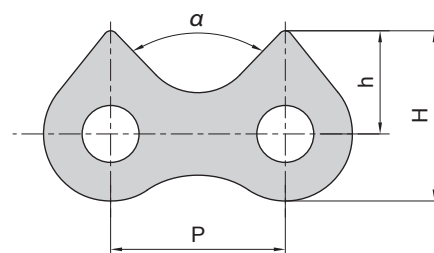
Donghua Chain No.	P	H	h	h ₂	G
	mm	mm	mm	mm	mm
50F21	15.875	40	20	13	48



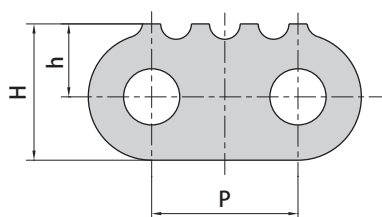
Donghua Chain No.	P	L	h	H
	mm	mm	mm	mm
16B-1180	25.4	46.0	12.2	22.5



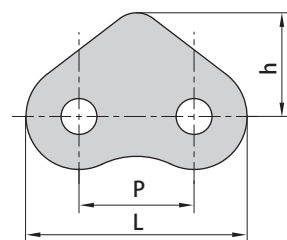
Donghua Chain No.	P	L	h	H	α
	mm	mm	mm	mm	
25HF5-6STC	6.35	5.8	8.8	12.2	90°
16B-1185	25.40	46.0	16.0	26.5	75°
16B-6STC	25.40	46.0	16.0	26.5	73.4°



Donghua Chain No.	P	h	H	α
	mm	mm	mm	
16B-2STCF1	25.40	15.0	24.75	88°
20A-2STCF1	31.75	23.0	35.95	80°
20A-2STCF3	31.75	23.0	35.95	82°

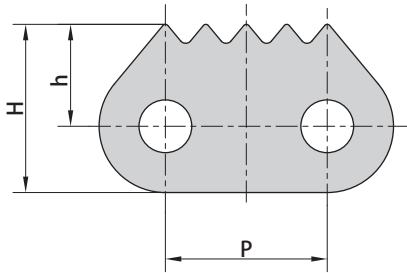


Donghua Chain No.	P	h	H
	mm	mm	mm
24B-1810	38.1	19	35.5
120F6	38.1	21	38.5

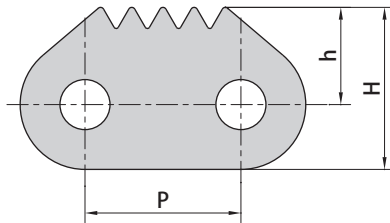


Donghua Chain No.	P	L	h
	mm	mm	mm
16BF6	25.4	46.0	30.0
16BF5	25.4	48.8	22.9

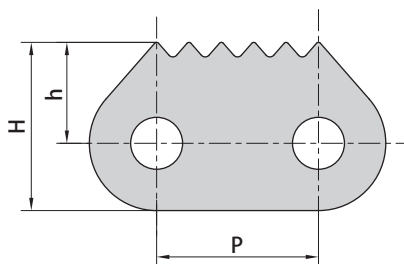
Sharp top chains



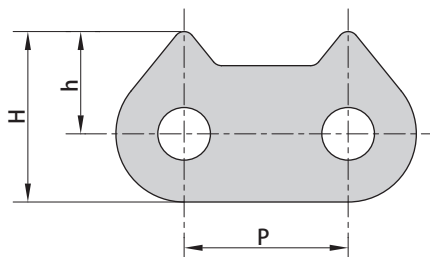
Donghua Chain No.	P	h	H
	mm	mm	mm
C12BF56-STC	19.05	13.0	22.0
16A-1171	25.40	16.0	26.4
C16A-5PEP	25.40	17.4	29.0
C16AF2	25.40	17.5	29.5
C16A-5PEPF1	25.40	17.3	29.5
C16BF2	25.40	18.7	29.2
16BF24	25.40	16.0	26.4
26BF29	25.40	15.9	26.4
C24B-1831	38.10	22.5	39.0
24A-1-STC	38.10	21.0	38.5



Donghua Chain No.	P	h	H
	mm	mm	mm
C20BF9	31.75	19.8	33.0

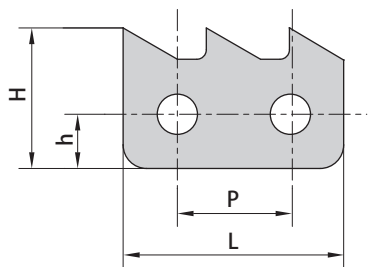


Donghua Chain No.	P	h	H
	mm	mm	mm
20BF8	31.75	19.8	33.0
20B-1310	31.75	19.8	33.0
C24B-6STCF1	38.10	23.5	40.0

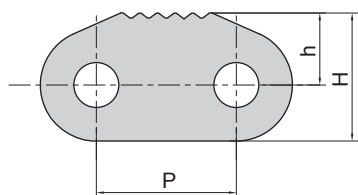


Donghua Chain No.	P	h	H
	mm	mm	mm
20B-1350	31.75	19.8	33.0

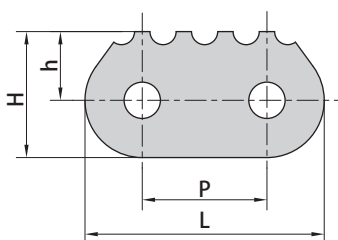
Sharp top chains



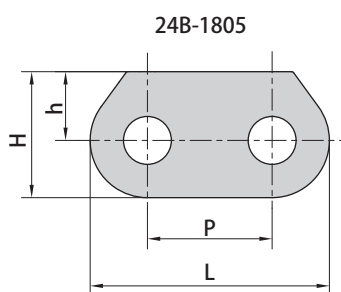
Donghua Chain No.	P	L	h	H
	mm	mm	mm	mm
20AF1	31.75	57.2	14.75	35.84



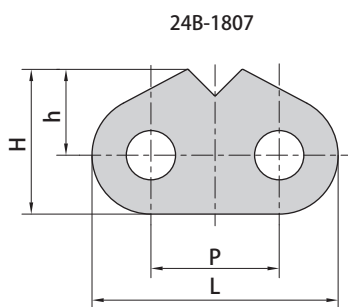
Donghua Chain No.	P	h	H
	mm	mm	mm
20B-6STC	31.75	16.5	29.2



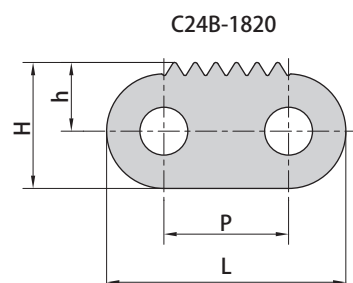
Donghua Chain No.	P	L	h	H
	mm	mm	mm	mm
C20A-1-4STC	31.75	46.75	18.3	33.3
120-1802	38.10	73.10	21.0	38.5
24B-1809	38.10	73.10	21.0	38.5



24B-1805



24B-1807

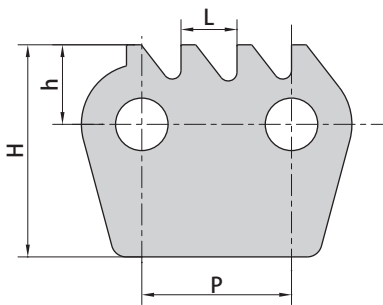
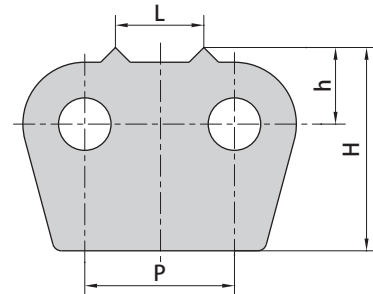


C24B-1820

Donghua Chain No.	P	L	h	H
	mm	mm	mm	mm
24B-1805	38.1	73.1	21.0	38.5
24B-1807	38.1	73.1	25.5	43.0
C24B-1820	38.1	73.1	21.0	38.5

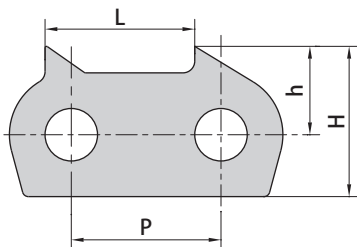
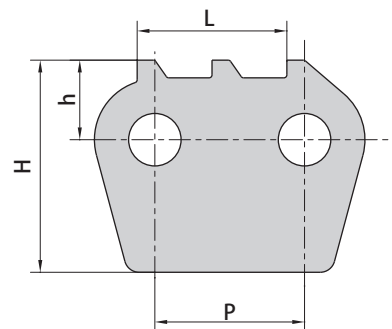
Sharp top chains

Donghua Chain No.	P	h	H	L
	mm	mm	mm	mm
32BF4	50.8	26	70.0	30



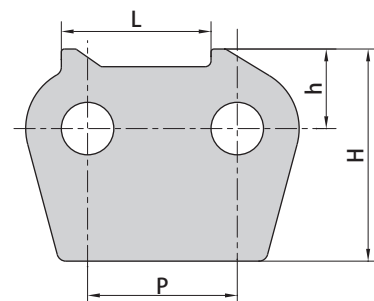
Donghua Chain No.	P	h	H	L
	mm	mm	mm	mm
32B-1875	50.8	27	72.0	19.0
32BF20-1875	50.8	30	74.0	13.5

Donghua Chain No.	P	h	H	L
	mm	mm	mm	mm
32B-1876	50.8	27	72.0	50.8

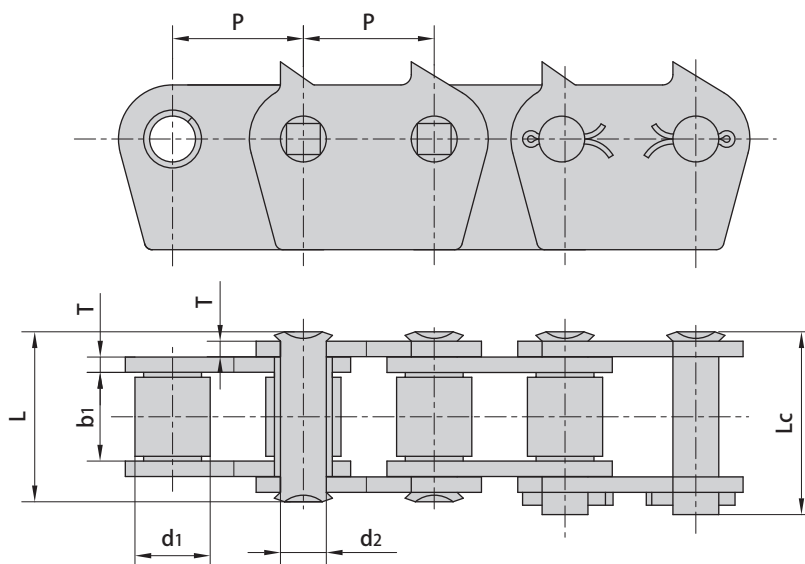


Donghua Chain No.	P	h	H	L
	mm	mm	mm	mm
32B-1877	50.8	30	51	50.8

Donghua Chain No.	P	h	H	L
	mm	mm	mm	mm
32B-1878	50.8	27	72	50.8

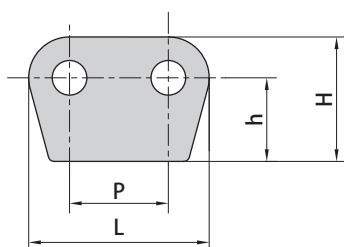


Sharp top chains

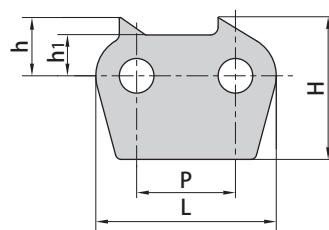


Donghua Chain No.	Pitch	Roller diameter	Width between inner plates	Pin diameter	Pin length		Plate thickness	Ultimate tensile strength	Average tensile strength	Weight per meter
	P	d1 max	b1 min	d2 max	L max	Lc max	T max	Q min	Q0	q
	mm	mm	mm	mm	mm	mm	mm	kN/lbf	kN	kg/m
32B-1-1872	50.8	29.21	33.0	17.81	66.0	71.0	6.0	250.0/56818	275.0	13.54

32B-1872

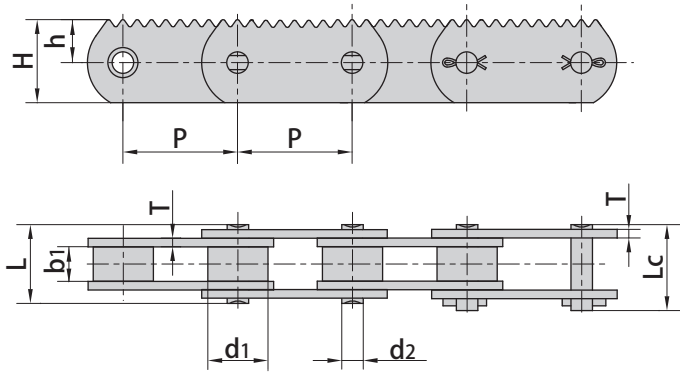


32B-1874 32B-1900F1
32BF15 C32B-1874F1



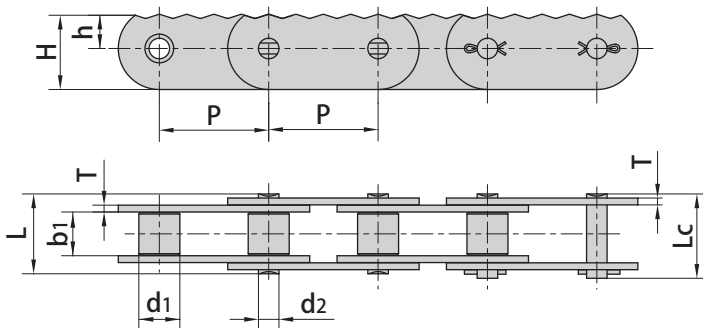
Donghua Chain No.	P	L	h1	h	H
	mm	mm	mm	mm	mm
32B-1872	50.8	92.8	-	43.0	64.0
32B-1874	50.8	92.8	21.0	30.0	73.0
32B-1900F1	50.8	92.8	21.0	30.0	75.0
32BF15	50.8	91.8	20.0	45.0	75.0
C32B-1874F1	50.8	92.8	21.0	40.0	83.0

Sharp top chains



Donghua Chain No.	P	h	H
	mm	mm	mm
P80	80.0	30	58

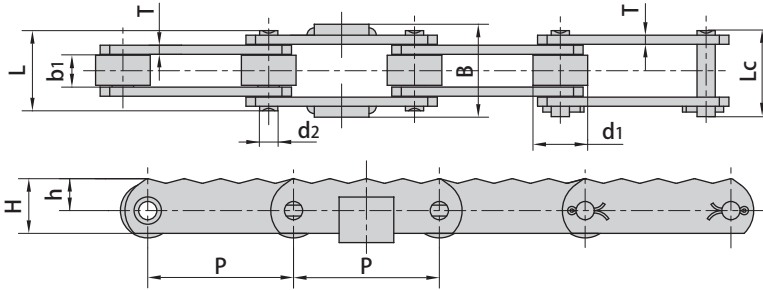
Donghua Chain No.	Pitch	Roller diameter	Width between inner plates	Pin diameter	Pin length		Plate thickness	Ultimate tensile strength	Average tensile strength	Weight per meter
	P	d1 max	b1 min	d2 max	L max	Lc max	T max	Q min	Q0	q
	mm	mm	mm	mm	mm	mm	mm	kN/lbf	kN	kg/m
P80	80.0	42.0	24.0	15.0	55.0	60.0	6.0	250.0/56818	275.0	11.3



Donghua Chain No.	P	h	H
	mm	mm	mm
P80F3	80.0	25	55
P80F32	80.0	20	40

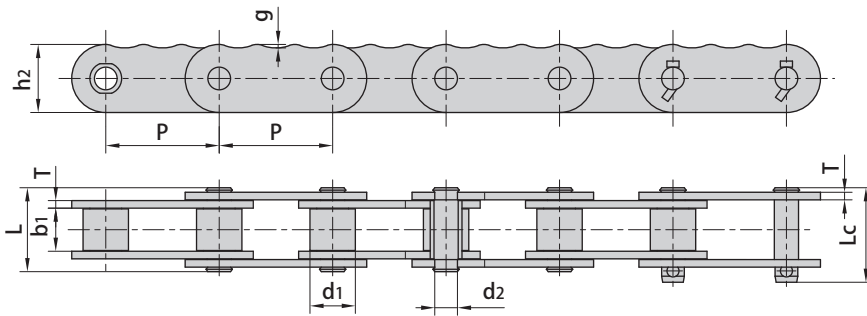
Donghua Chain No.	Pitch	Roller diameter	Width between inner plates	Pin diameter	Pin length		Plate thickness	Ultimate tensile strength	Average tensile strength	Weight per meter
	P	d1 max	b1 min	d2 max	L max	Lc max	T max	Q min	Q0	q
	mm	mm	mm	mm	mm	mm	mm	kN/lbf	kN	kg/m
P80F3	80.0	30.0	32.0	15.0	58.6	62.6	5.0	98.0/20909	107.0	9.12
P80F32	80.0	30.0	30.0	15.0	63.0	72.0	6.0	112/25194	123.2	7.28

Sharp top chains

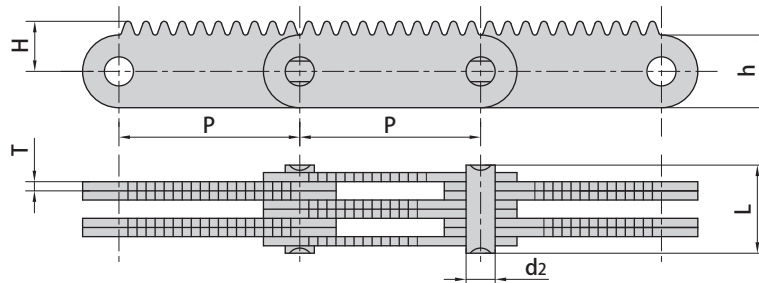


Donghua Chain No.	P	h	H	B
	mm	mm	mm	mm
P80F2	80.0	17.5	30.0	51

Donghua Chain No.	Pitch	Roller diameter	Width between inner plates	Pin diameter	Pin length		Plate thickness	Ultimate tensile strength	Average tensile strength	Weight per meter
	P	d1 max	b1 min	d2 max	L max	Lc max	T max	Q min	Q0	q
	mm	mm	mm	mm	mm	mm	mm	kN/lbf	kN	kg/m
P80F2	80.0	30.0	18.0	10.0	44.6	48.3	5.0	61.74/14030	70.0	4.15

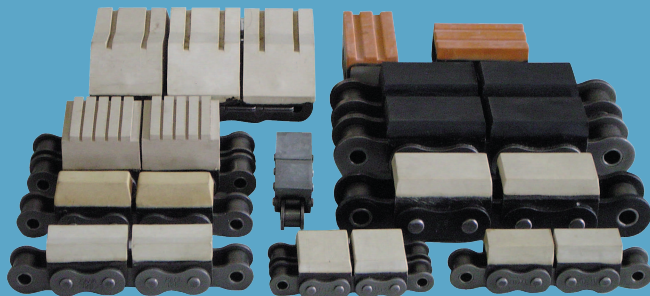


Donghua Chain No.	Pitch	Roller diameter	Width between inner plates	Pin diameter	Pin length		Plate dimension		Plate thickness	Ultimate tensile strength
	P	d1 max	b1 min	d2 max	L max	Lc max	h2	g	T max	Q min
	mm	mm	mm	mm	mm	mm	mm	mm	mm	kN/lbf
P150F77	150.0	60.0	57.0	30.0	114.0	128.0	90.0	4.6	10.0	666.4/149812

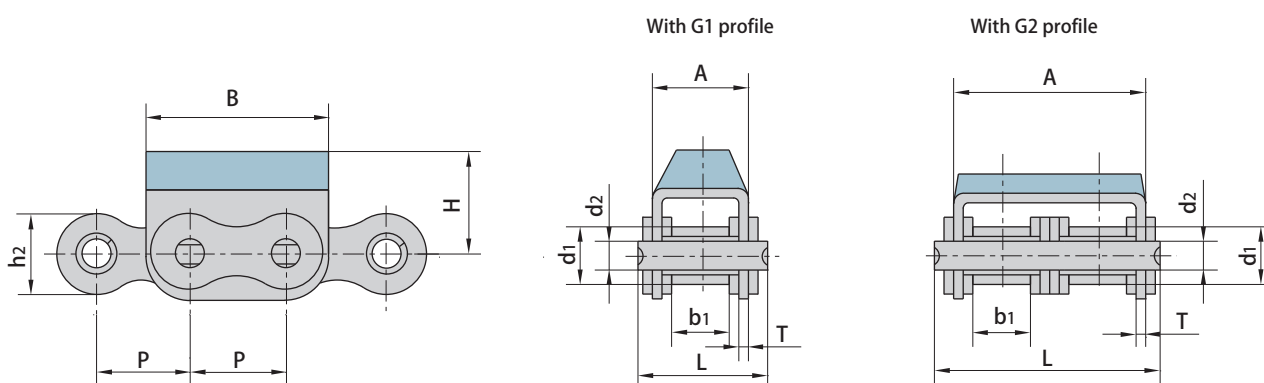


Donghua Chain No.	Pitch	Plate lacing	Pin diameter	Pin length	Plate dimension		Distance from hole center to tooth	Ultimate tensile strength	Weight per meter
	P		d2 max	L max	h max	T max	H max	Q min	q
	mm		mm	mm	mm	mm	mm	kN/lbf	kg/m
F3144F1	31.60	4×4	5.08	16.1	12.7	1.6	8.75	40.0/8992	0.942
F2544F1	25.28	4×4	5.08	16.1	12.7	1.6	8.75	40.0/8992	0.987

ROLLER CHAINS WITH VULCANISED ELASTOMER PROFILES

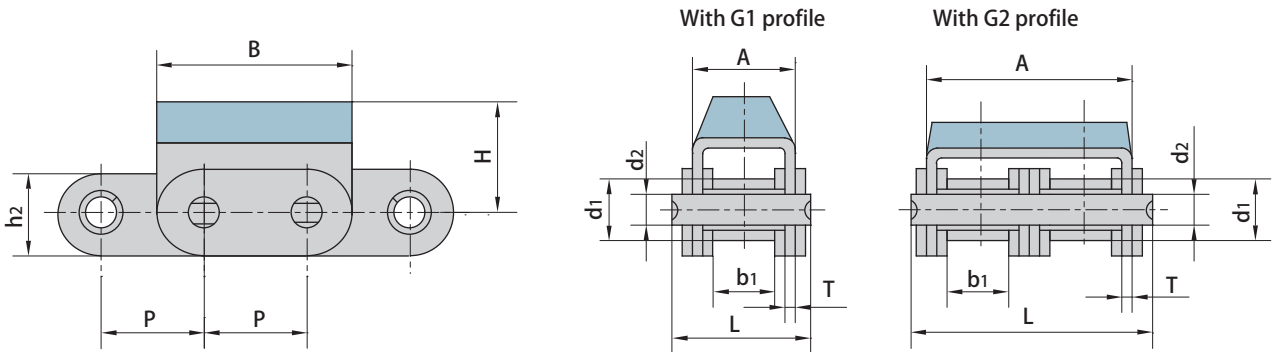


Roller chains with vulcanised elastomer profiles

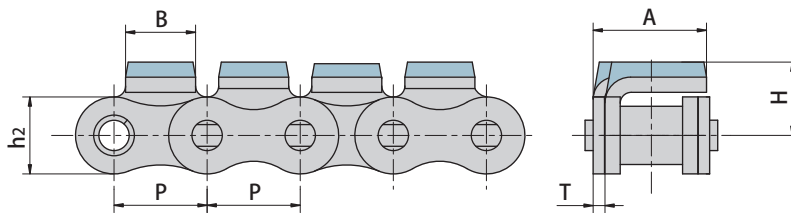


Donghua Chain No.	Pitch	Roller diameter	Width between inner plates	Pin diameter	Pin length	Plate and attachment dimension					Ultimate tensile strength	Weight per meter
	P	d1 max	b1 min	d2 max	L max	h2 max	A	B	H	T	Q min	q
	mm	mm	mm	mm	mm	mm	mm	mm	mm	mm	kN/lbf	kg/m
08B-G1	12.700	8.51	7.75	4.45	20.0	11.80	14.60	24.20	12.3	1.60	18.0/4091	1.19
08B-G2	12.700	8.51	7.75	4.45	34.3	11.80	28.40	24.20	12.3	1.50	32.0/7273	2.07
10A-G1	15.875	10.16	9.40	5.08	24.5	15.09	17.50	31.00	17.0	1.60	21.8/4953	1.70
10B-G1	15.875	10.16	9.65	5.08	23.2	14.70	16.80	30.00	17.0	1.60	19.0/4318	1.62
10B-G2	15.875	10.16	9.65	5.08	39.7	14.70	33.30	30.00	17.0	1.50	44.5/10004	2.56
10B-G2F5	15.875	10.16	9.65	5.08	39.7	14.70	33.30	30.00	25.3	1.50	44.5/10004	2.58
12B-G1	19.050	12.07	11.68	5.72	25.7	16.00	19.60	36.00	21.0	1.85	29.0/6591	2.01
12B-G2	19.050	12.07	11.68	5.72	45.3	16.00	39.10	36.00	16.0	1.85	57.8/13136	3.21
12A-G1	19.050	11.91	12.57	5.94	29.9	18.00	21.40	37.05	21.0	1.85	31.8/7153	2.55
12A-G2	19.050	11.91	12.57	5.94	52.9	18.00	44.50	37.05	21.0	1.85	62.3/14005	4.25
12AF1-G1	19.050	11.91	17.00	5.94	34.0	18.00	26.00	36.00	16.0	1.85	31.8/7153	2.62
16A-G1	25.400	15.88	15.75	7.92	37.2	24.00	27.50	46.00	20.0	2.42	42.0/9545	3.97
16A-G2	25.400	15.88	15.75	7.92	68.0	24.00	57.20	46.00	20.0	2.42	84/18896	7.27
16B-G1F12	25.400	15.88	17.02	8.28	39.7	21.00	29.05	49.00	21.4	1.60	58.0/13047	3.95
20A-G1	31.750	19.05	18.90	9.53	46.8	30.00	34.00	57.60	28.0	3.10	86.7/19503	6.15
20B-G1	31.750	19.05	19.56	10.19	48.0	26.40	36.00	57.00	27.0	3.50	85.0/19318	6.19
24B-G1	38.100	25.40	25.40	14.63	61.6	33.20	47.00	72.60	34.0	4.50	160.0/36363	11.25

Roller chains with vulcanised elastomer profiles

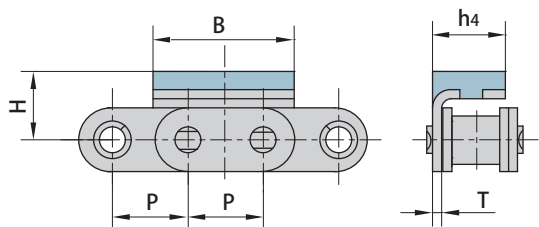


Donghua Chain No.	Pitch	Roller diameter	Width between inner plates	Pin diameter	Pin length	Plate and attachment dimension					Ultimate tensile strength	Weight per meter
	P	d ₁ max	b ₁ min	d ₂ max	L max	h ₂ max	A	B	H	T	Q min	q
	mm	mm	mm	mm	mm	mm	mm	mm	mm	mm	kN/lbf	kg/m
C08B-G1	12.700	8.51	7.75	4.45	20.0	11.80	14.60	24.20	12.3	1.60	18.0/4091	1.30
C08B-G2	12.700	8.51	7.75	4.45	34.3	11.80	28.40	24.20	12.3	1.50	32.0/7273	2.29
C10B-G1	15.875	10.16	9.65	5.08	23.2	14.70	16.80	30.00	17.0	1.60	19.0/4318	1.75
C10B-G1F1	15.875	10.16	9.65	5.08	23.2	14.70	16.80	30.00	13.0	1.60	19.0/4318	1.70
C50-G2F1	15.875	10.16	9.40	5.08	42.5	15.09	35.60	27.00	17.0	1.60	43.6/9906	2.14
C50-G2	15.875	10.16	9.40	5.08	42.5	15.09	35.60	31.00	17.0	1.60	43.6/9906	2.14
C10B-G2	15.875	10.16	9.65	5.08	39.7	14.70	33.30	30.00	17.0	1.50	44.5/10114	2.95
C12B-G1	19.050	12.07	11.68	5.72	25.7	16.00	19.60	36.00	21.0	1.85	29.0/6591	2.15
C12B-G2	19.050	12.07	11.68	5.72	45.3	16.00	39.10	36.00	16.0	1.85	57.8/13136	3.48
C16A-G1	25.400	15.88	15.75	7.92	37.2	24.00	27.50	46.00	20.0	2.42	42.0/9545	4.34
C16A-G2	25.400	15.88	15.75	7.92	68.0	24.00	57.20	46.00	20.0	2.42	84.0/18883	8.20
C20A-G1	31.750	19.05	18.90	9.53	46.8	30.00	34.00	61.75	28.0	3.10	86.7/19490	9.10
C20B-G1	31.750	19.05	19.56	10.19	48.0	26.40	36.00	57.00	27.0	3.50	85.0/19318	6.65
C20B-G2	31.750	19.05	29.56	10.19	85.0	26.40	73.00	58.15	27.0	3.50	170.0/38217	10.40
C24B-G1	38.100	25.40	25.40	14.63	61.6	33.20	47.00	72.60	34.0	4.50	160.0/36363	11.63



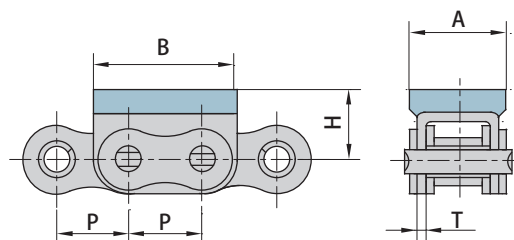
Donghua Chain No.	P	A	B	H	h ₂	T
	mm	mm	mm	mm	mm	mm
16B-G1F7	25.4	31.0	19.1	20	21	3.1

Roller chains with vulcanised elastomer profiles

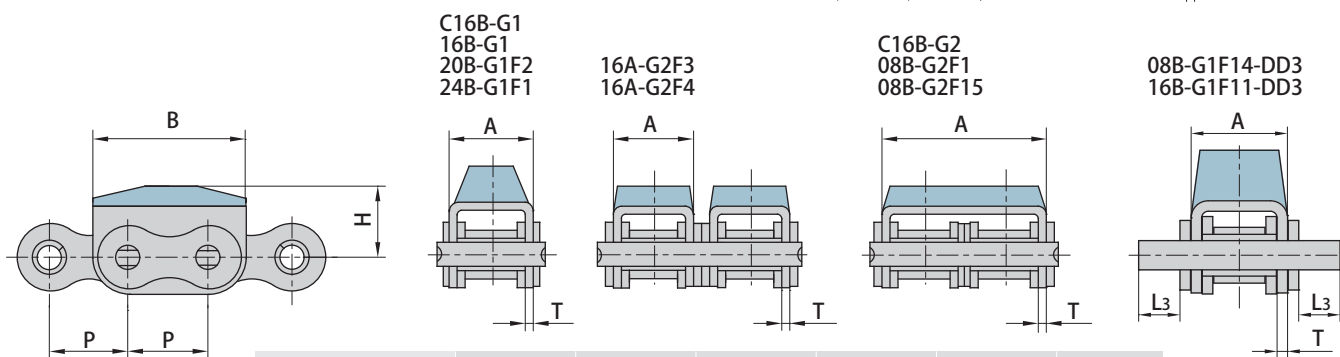
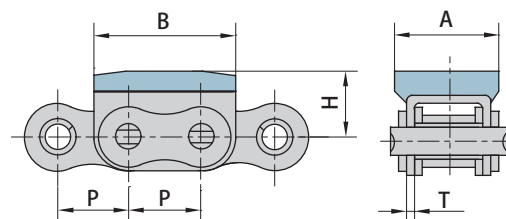


Donghua Chain No.	P	B	H	h4	T
	mm	mm	mm	mm	mm
06BF9	9.525	17.73	9.0	9.05	1.3

Donghua Chain No.	P	A	B	H	T
	mm	mm	mm	mm	mm
08B-G1F1	12.700	18.0	24.2	12.3	1.6
10B-G1F2	15.875	25.0	30.0	14.0	1.6
10B-G1F3	15.875	20.0	30.0	18.0	1.6
10B-G1F4	15.875	18.6	30.0	11.4	1.6

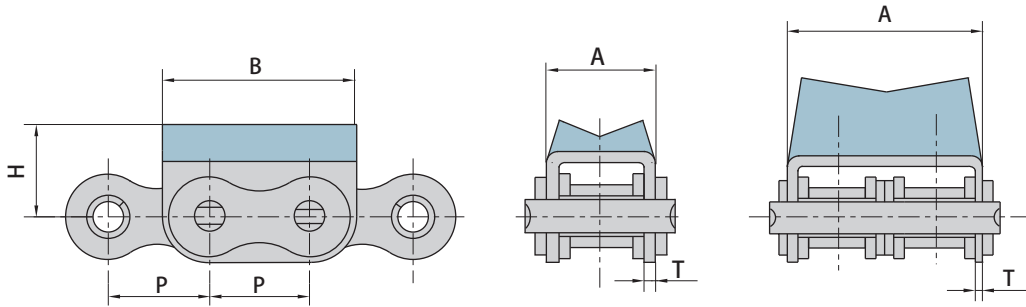


Donghua Chain No.	P	A	B	H	T
	mm	mm	mm	mm	mm
08B-G1F4	12.7	18.0	24.2	12.3	1.6

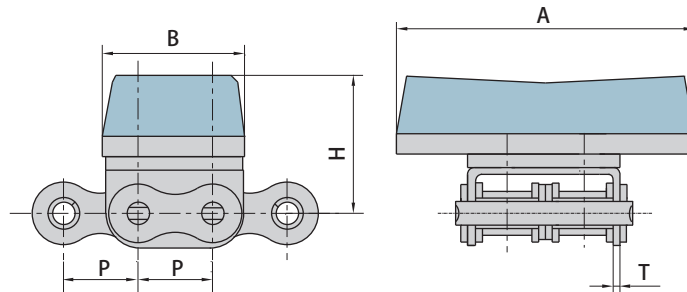


Donghua Chain No.	P	A	B	H	T	L3
	mm	mm	mm	mm	mm	mm
08B-G2F1	12.70	28.40	24.2	12.0	1.50	-
08B-G1F14-DD3	12.70	14.60	24.2	16.0	1.60	6.3
08B-G2F15	12.70	28.40	24.2	12.8	1.50	-
16A-G2F3	25.40	27.50	49.0	21.4	2.42	-
16A-G2F4	25.40	27.00	49.2	20.0	2.03	-
16B-G1	25.40	29.05	49.0	21.4	1.60	-
16B-G1F11-DD3	25.40	29.05	49.0	21.4	1.60	4.8
C16B-G1	25.40	29.05	49.0	21.4	1.60	-
C16B-G2	25.40	60.93	49.0	21.4	1.60	-
20B-G1F2	31.75	36.00	57.0	35.0	3.50	-
24B-G1F1	38.10	47.00	72.6	34.0	4.50	-

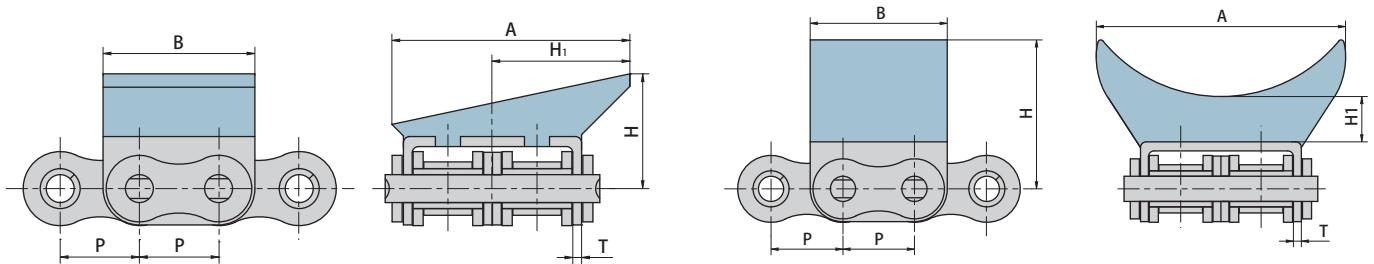
Roller chains with vulcanised elastomer profiles



Donghua Chain No.	P	A	B	H	T
	mm	mm	mm	mm	mm
08B-G2F11	12.70	28.4	24.2	18.3	1.50
12B-G1F1	19.05	19.6	36.0	18.0	1.85
12B-G2F4	19.05	39.1	36.0	27.5	1.85
12B-G1F13	19.05	19.6	36.0	21.0	1.85
12B-G2F13	19.05	39.1	36.0	27.5	1.85



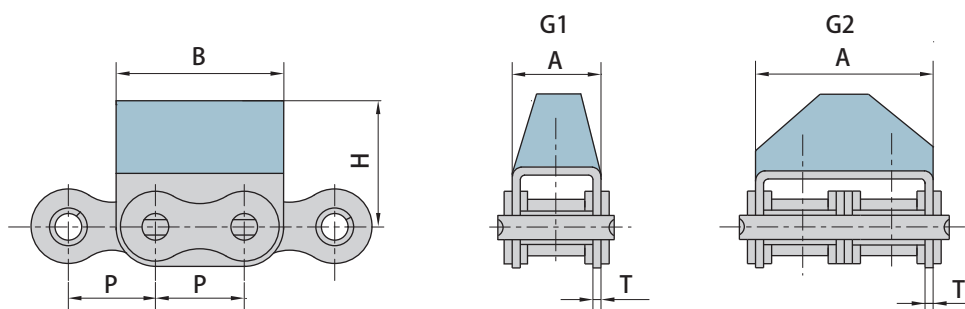
Donghua Chain No.	P	A	B	H	T
	mm	mm	mm	mm	mm
08B-G2F13	12.70	35.0	24.2	14.0	1.50
12B-G2F3	19.05	77.0	37.0	36.0	1.85
12B-G2F8	19.05	101.0	37.0	36.0	1.85



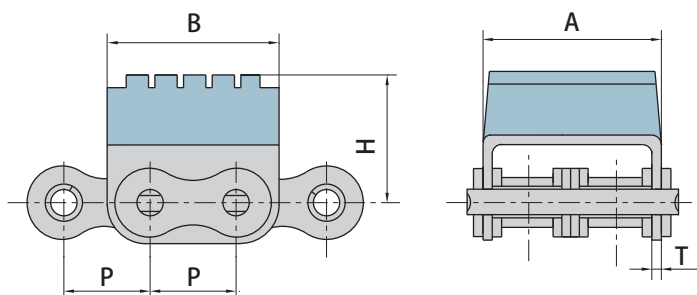
Donghua Chain No.	P	A	B	H	H1	T
	mm	mm	mm	mm	mm	mm
08B-G2F14	12.7	37.9	24.2	18.3	22.0	1.5

Donghua Chain No.	P	A	B	H	H1	T
	mm	mm	mm	mm	mm	mm
08B-G2F16	12.7	44.0	24.2	26.3	8.0	1.5

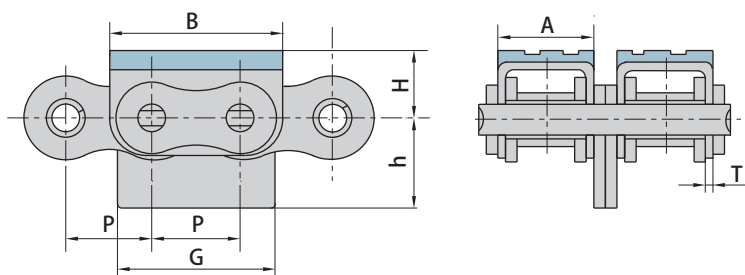
Roller chains with vulcanised elastomer profiles



Donghua Chain No.	P mm	A mm	B mm	H mm	T mm
10B-G1F5	15.875	16.80	30.0	25.3	1.70
10A-G1F6	15.875	16.80	30.0	14.0	1.60
12B-G1F11	19.050	19.60	36.0	17.0	1.85
12A-G1F12	19.050	39.10	36.0	21.0	1.85
12B-G2F10	19.050	39.10	36.0	28.0	1.85
12A-G2F12	19.050	39.10	36.0	21.0	1.85
12B-G2F5	19.050	39.10	36.0	28.0	1.85
16A-G1F1	25.400	27.50	46.0	21.4	2.42
16B-G1F18	25.400	29.05	49.0	32.0	1.60
20B-G1F1	31.750	36.00	57.0	35.0	3.50

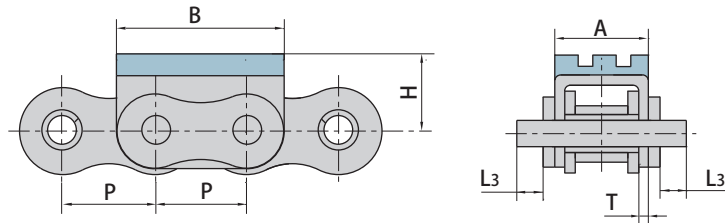


Donghua Chain No.	P mm	A mm	B mm	H mm	T mm
08B-G2F10	12.70	28.4	24.2	23.3	1.50
12B-G2F6	19.05	39.1	37.3	28.2	1.85

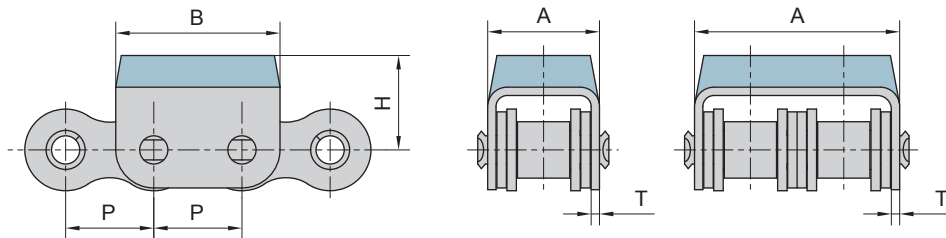


Donghua Chain No.	P mm	A mm	B mm	G mm	h mm	H mm	T mm
16A-G2F1	25.4	27.0	49.2	45.4	25.0	20.0	2.03

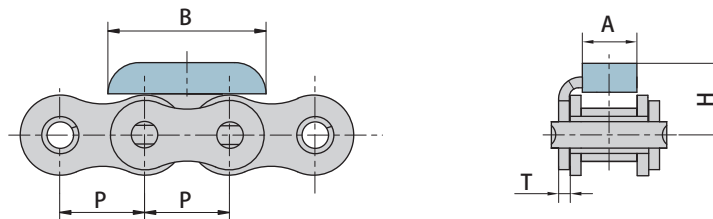
Roller chains with vulcanised elastomer profiles



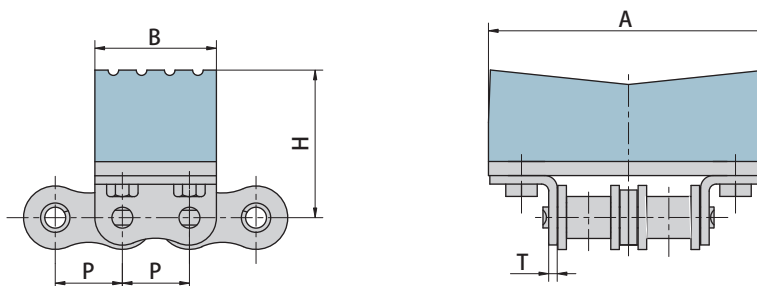
Donghua Chain No.	P	A	B	L3	H	T
	mm	mm	mm	mm	mm	mm
16A-G1F3	25.4	27.5	49.0	8.25	21.4	2.42



Donghua Chain No.	P	A	B	H	T
	mm	mm	mm	mm	mm
10B-G2F1	15.875	33.3	30	17.0	1.5
24A-G1F1	38.100	55.5	70	46.5	4.8

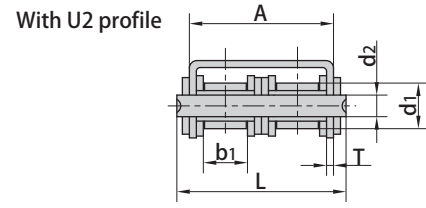
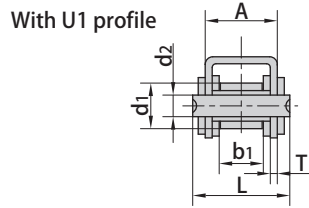
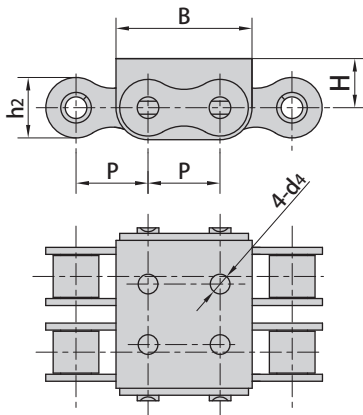


Donghua Chain No.	P	A	B	H	T
	mm	mm	mm	mm	mm
12A-G1F1	19.05	13.0	35.5	16.6	2.42



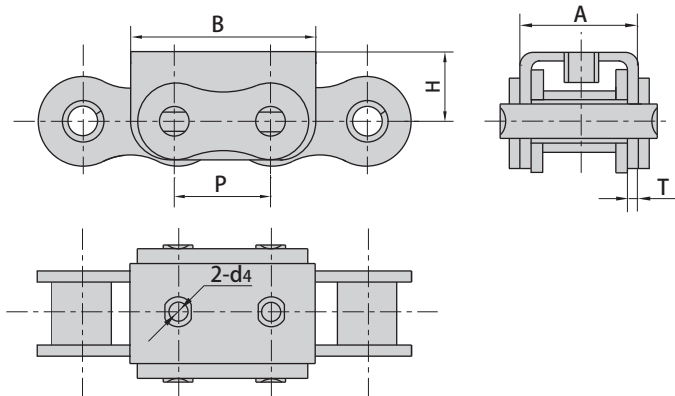
Donghua Chain No.	P	A	B	H	T
	mm	mm	mm	mm	mm
12AWK2-G2F1	19.05	80.0	35.0	41.9	2.42

Roller chains with U type attachments



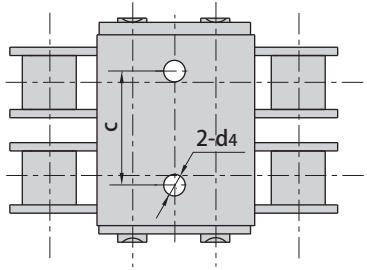
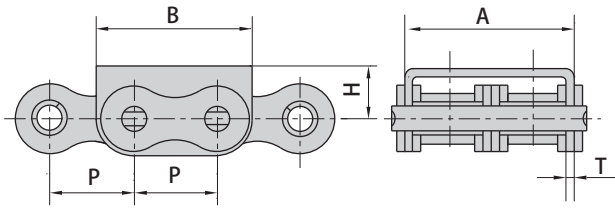
Donghua Chain No.	Pitch	Roller diameter	Width between inner plates	Pin diameter	Pin length	Plate and attachment dimension						Ultimate tensile strength	Weight per meter
	P mm	d1 max mm	b1 min mm	d2 max mm	L max mm	h2 max mm	A mm	B mm	H mm	d4 mm	T mm	Q min kN/lbf	q kg/m
08B-U1	12.700	8.51	7.75	4.45	20.0	11.8	14.60	24.2	8.3	-	1.60	18.0/4091	1.13
08B-U2	12.700	8.51	7.75	4.45	34.3	11.8	28.40	24.2	8.3	-	1.50	32.0/7273	1.96
08B-U2F9	12.700	8.51	7.75	4.45	47.9	11.8	28.40	25.5	8.3	4.0	1.50	29.0/6519	2.00
10B-U1	15.875	10.16	9.65	5.08	23.2	14.7	16.80	30.0	11.3	5.0	1.60	19.0/4318	1.53
10B-U2	15.875	10.16	9.65	5.08	39.7	14.7	33.30	30.0	11.3	5.0	1.50	44.5/10004	2.47
10B-U1F7	15.875	10.16	9.65	5.08	23.2	14.7	16.80	30.0	10.3	-	1.60	22.2/4990	1.53
10B-U1F8	15.875	10.16	9.65	5.08	23.2	14.7	16.80	30.0	11.3	-	1.60	19.0/4318	1.52
10B-U2F2	15.875	10.16	9.65	5.08	39.7	14.7	33.30	30.0	11.3	-	1.50	44.5/10004	2.40
12B-U1	19.050	12.07	11.68	5.72	25.7	16.0	19.60	36.0	13.0	5.0	1.85	29.0/6519	1.90
12B-U2	19.050	12.07	11.68	5.72	45.3	16.0	39.10	36.0	12.0	5.0	1.85	57.8/13136	3.03
16A-U1	25.400	15.88	15.75	7.92	37.2	24.0	27.50	46.0	16.0	-	2.42	56.7/12746	3.87
16B-U1	25.400	15.88	17.02	8.28	39.7	21.0	29.05	49.0	15.4	6.0	1.60	58.0/13407	3.73
16B-U2	25.400	15.88	17.02	8.28	71.7	21.0	60.93	49.0	16.2	-	1.60	106.0/26094	6.15
16B-U2F4	25.400	15.88	17.02	8.28	71.7	21.0	60.93	49.0	16.2	8.4	1.60	106.0/26094	6.64
20BF2	31.750	19.05	19.56	10.19	48.0	26.4	36.00	57.0	21.0	8.0	3.50	85.0/19318	6.01
20B-U1	31.750	19.05	19.56	10.19	48.0	26.4	36.00	57.0	21.0	-	3.50	85.0/19318	6.00
24B-U1	38.100	25.40	25.40	14.63	61.6	33.2	47.00	72.6	28.0	10.0	4.50	160.0/35969	10.88
24B-U1F4	38.100	25.40	25.40	14.63	61.6	33.2	47.00	72.6	28.0	-	4.50	160.0/35969	11.40

Note: the number and position of d4 hole is as per drawing.

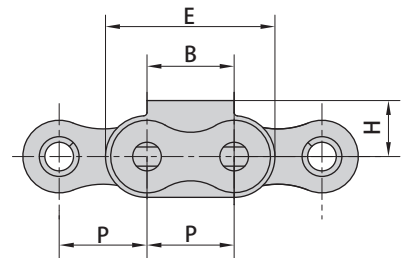
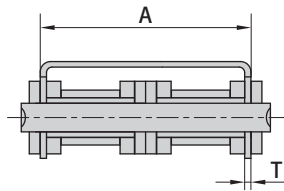


Donghua Chain No.	P mm	A mm	B mm	d4 mm	H mm	T mm
08B-U1F1(a)	12.700	14.6	24.2	M4	9.50	1.60
10B-U1F1(a)	15.875	16.8	30.0	M5	11.30	1.60
12B-U1F10	19.050	19.6	36.0	M5	13.00	1.85
16A-U1F7	25.400	27.3	49.5	M6	16.45	2.30
16B-U1F3	25.400	30.3	49.5	M6	16.45	2.30
16B-U1F4	25.400	29.8	47.8	M5	15.00	2.00
20B-U1F3	31.750	36.0	57.0	M6	21.00	3.50
24B-U1F5	38.100	47.0	72.6	M6	28.00	4.50

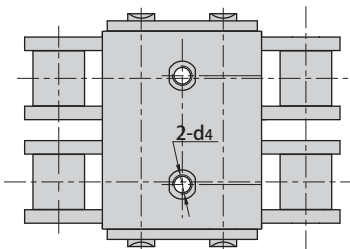
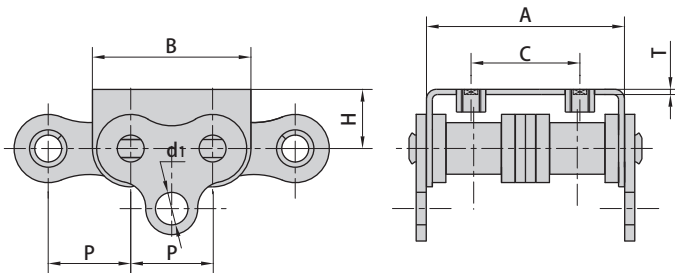
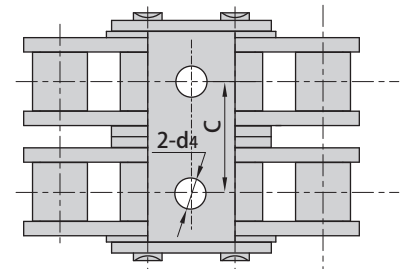
Roller chains with U type attachments



Donghua Chain No.	P	A	B	C	d4	H	T
	mm	mm	mm	mm	mm	mm	mm
08B-U2F2	12.700	28.4	24.2	17.5	3.3	8.3	1.50
10A-U2F1	15.875	36.5	29.0	17.5	3.3	12.0	2.03
12B-U2F7	19.050	38.9	36.0	17.5	3.3	13.2	1.85

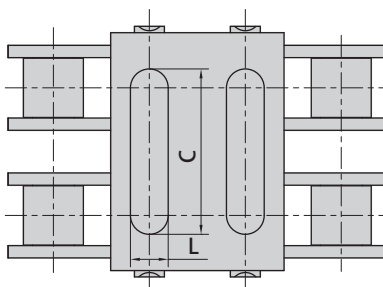
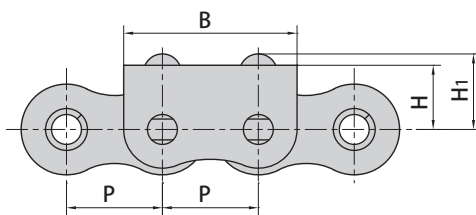


Donghua Chain No.	P	A	B	C	d4	E	H	T
	mm	mm	mm	mm	mm	mm	mm	mm
16B-U2F1	25.4	60.93	25.0	33.5	9.0	49.0	16.2	1.6
16B-U2F5	25.4	64.10	25.0	-	-	46.40	17.0	3.1

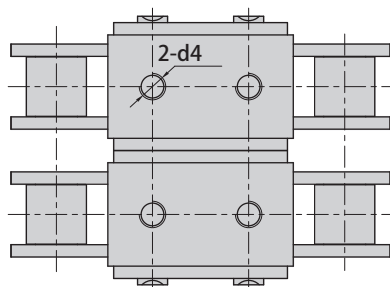
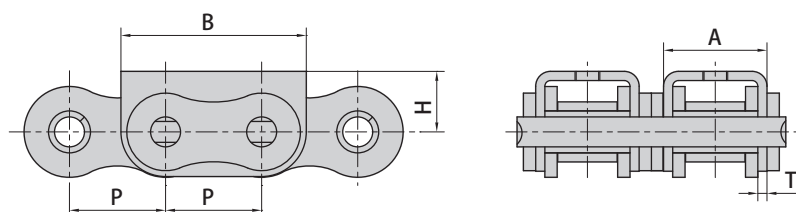


Donghua Chain No.	P	A	B	d4	H	T	C	d1
	mm	mm	mm	mm	mm	mm	mm	mm
16B-U2F2	25.4	60.93	49	M6	18.2	1.6	33.5	10
16B-U2F3	25.4	60.93	49	M6	16.2	1.6	33.5	10

Roller chains with U type attachments

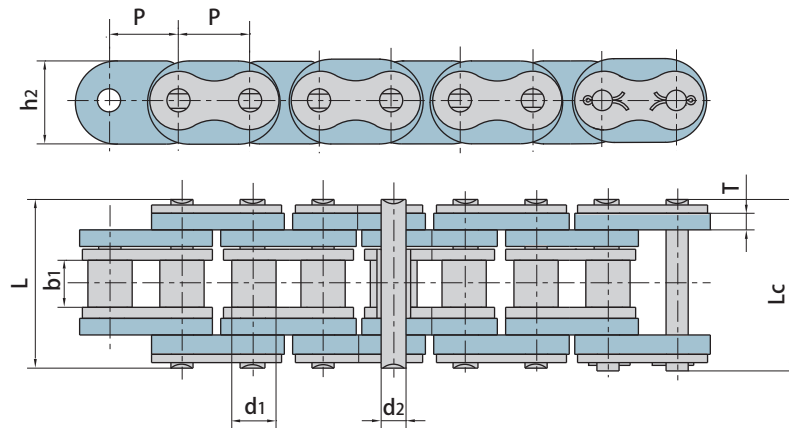


Donghua Chain No.	P	B	H	H ₁	C	L
	mm	mm	mm	mm	mm	mm
16A-U2F8	25.4	45.9	17.0	20.0	41.0	10.0

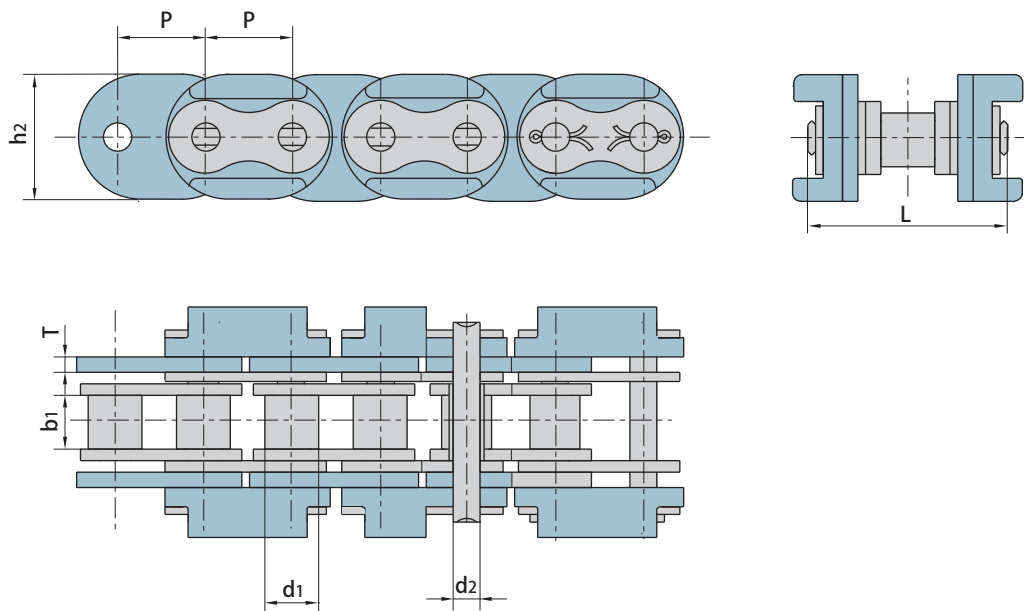


Donghua Chain No.	P	A	B	d ₄	H	T
	mm	mm	mm	mm	mm	mm
16A-U2F9	25.4	49.0	27.5	M6	16.0	2.42

Roller chains with plastic attachments



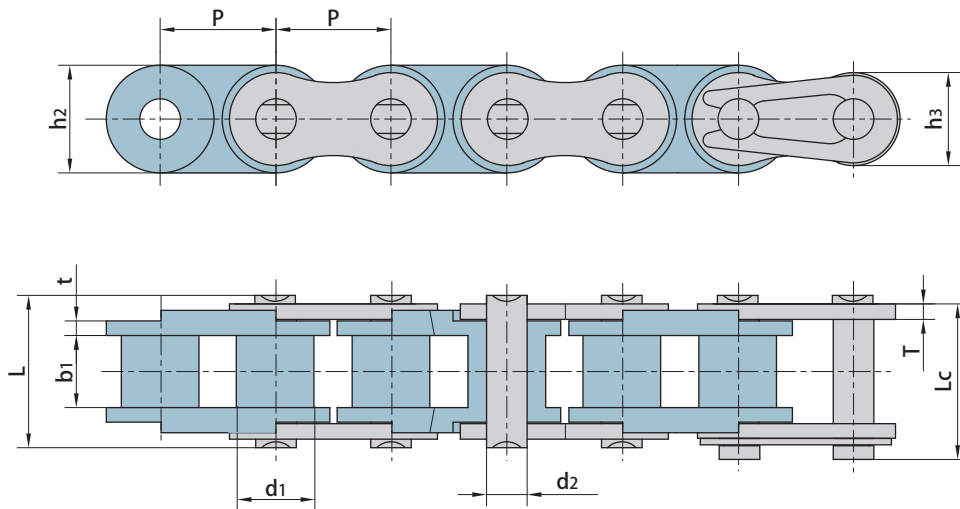
Donghua Chain No.	Pitch	Roller diameter	Width between inner plates	Pin diameter	Pin length		Plate & attachment dimension		Ultimate tensile strength	Weight per meter
	P	d1 max	b1 min	d2 max	L max	Lc max	h2	T	Q min	q
	mm	mm	mm	mm	mm	mm	mm	mm	kN/lbf	kg/m
16BF9	25.4	15.88	17.02	8.28	61.0	64.2	30.0	6.0	22.0/4949	3.7



Donghua Chain No.	Pitch	Roller diameter	Width between inner plates	Pin diameter	Pin length	Plate & attachment dimension		Ultimate tensile strength	Weight per meter
	P	d1 max	b1 min	d2 max	L max	h2 max	T	Q min	q
	mm	mm	mm	mm	mm	mm	mm	kN/lbf	kg/m
20BF6	31.75	19.05	19.56	10.19	73.7	45.0	6.0	95.0/21591	6.35

Plastic chains

Engineering plastic inner link light-duty conveyor chains

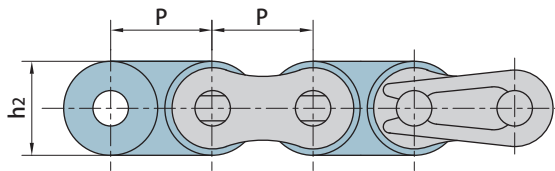


Donghua Chain No.	Pitch	Roller diameter	Width between inner plates	Pin diameter	Pin length		Inner plate depth		Plate thickness	Ultimate tensile strength
	P	d1 max	b1 min	d2 max	L max	Lc max	h2 max	h3 max	t/T	Q min
	mm	mm	mm	mm	mm	mm	mm	mm	mm	kN/lbf
04CPSa	6.350	3.30	3.10	2.31	7.9	8.4	6.0	5.06	0.80	0.6/136
06CPSa	9.525	5.08	4.68	3.58	12.4	13.2	9.0	7.80	1.30	1.1/250
08APSa	12.700	7.92	7.85	3.96	16.6	17.8	12.0	10.40	1.50	2.5/568
10APSa	15.875	10.16	9.40	5.08	20.7	22.2	15.1	13.00	2.03	3.5/795
12APSa	19.050	11.91	12.57	5.94	25.9	27.7	18.0	15.60	2.42	4.5/1023
16APSa	25.400	15.88	15.75	7.92	32.7	35.0	24.0	20.50	3.25	7.5/1023
08BPSa	12.700	8.51	7.75	4.45	16.7	18.2	11.8	10.60	1.60	2.5/568
10BPSa	15.875	10.16	9.65	5.08	19.5	20.9	14.7	13.70	1.70	2.8/629
12BPSa	19.050	12.07	11.68	5.72	22.5	24.2	16.0	15.00	1.85	4.2/1023
16BPSa	25.400	15.88	17.02	8.28	36.1	37.4	21.0	21.00	4.15/3.10	7.5/1023

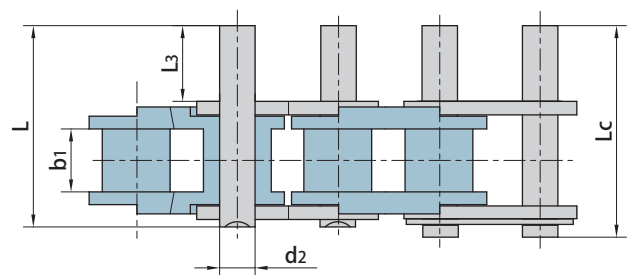
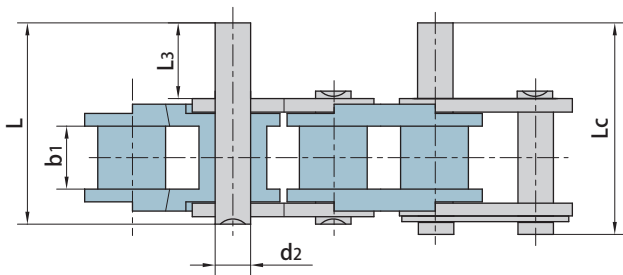
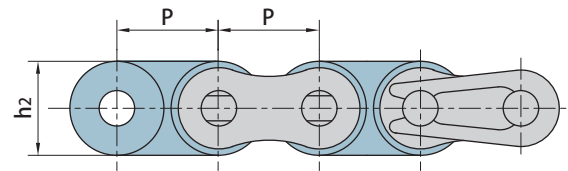
Plastic chains

Engineering plastic inner link light-duty conveyor chains

D-1

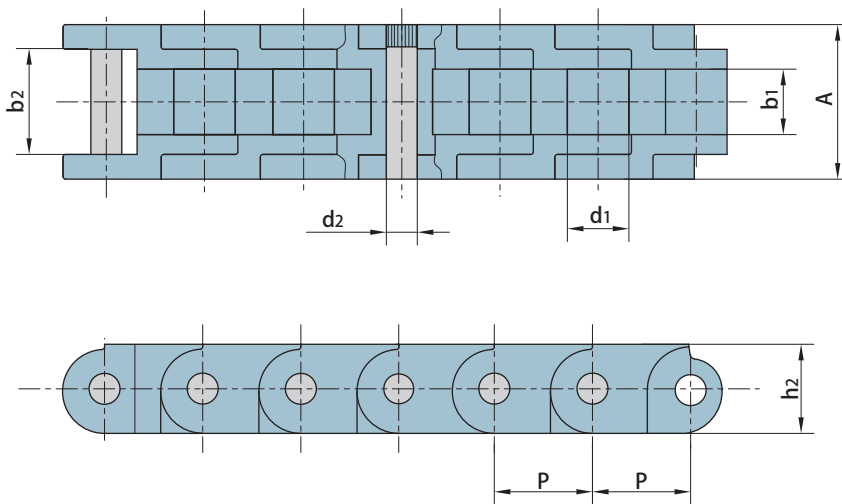


D-3



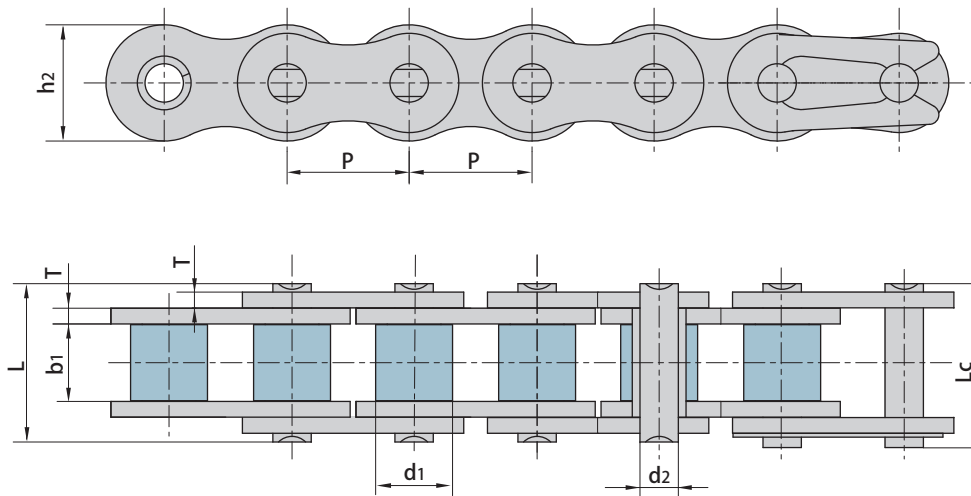
Donghua Chain No.	P	b1	d2	h2	L3	L	Lc
	mm	mm	mm	mm	mm	mm	mm
06CPSa	9.525	4.68	3.58	9.0	9.5	20.8	21.6
08APSa	12.700	7.85	3.96	12.0	9.5	25.1	26.2
10APSa	15.875	9.40	5.08	15.1	11.9	31.3	33.1
12APSa	19.050	12.57	5.94	18.0	14.3	38.6	40.6
16APSa	25.400	15.75	7.92	24.0	19.1	50.3	53.3
08BPSa	12.700	7.75	4.45	11.8	9.5	25.1	26.6
10BPSa	15.875	9.65	5.08	14.7	11.9	30.1	31.5
12BPSa	19.050	11.68	5.72	16.0	14.3	35.4	37.1
16BPSa	25.400	17.02	8.28	21.0	19.1	53.0	54.3

Plastic chains



Donghua Chain No.	P	b1	b2	d2	d1	A	h2	Max allowed load
	mm	mm	mm	mm	mm	mm	mm	kN/lbf
PD60	19.05	12.7	20.7	6	11.94	30	17.3	0.88/198

Conveyor chains with plastic rollers



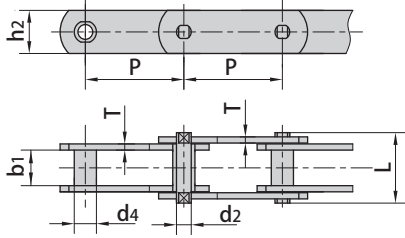
Donghua Chain No.	Pitch	Roller diameter	Width between inner plates	Pin diameter	Pin length		Inner plate depth	Plate thickness	Ultimate tensile strength	Average tensile strength	Weight per meter
	P	d1 max	b1 min	d2 max	L max	Lc max	h2 max	T	Q min	Q0	q
	mm	mm	mm	mm	mm	mm	mm	mm	kN/lbf	kN	kg/m
40-P	12.700	7.95	7.85	3.96	16.60	17.80	12.00	1.50	14.10/3205	17.5	0.56
50-P	15.875	10.16	9.40	5.08	20.70	22.20	15.09	2.03	22.20/5045	29.4	0.96
60-P	19.050	11.91	12.57	5.94	25.90	27.70	18.00	2.42	31.80/7227	41.5	1.35
80-P	25.400	15.88	15.75	7.92	32.70	35.00	24.00	3.25	56.70/12886	69.4	2.26
A2050-P	31.750	10.16	9.40	5.08	20.70	22.20	15.00	2.03	22.2/5045	28.1	0.61

VARIOUS CONVEYOR CHAINS

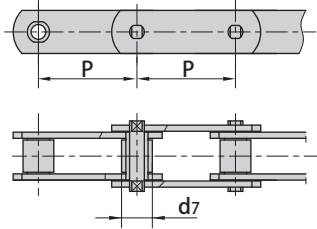


Conveyor chains (M series)

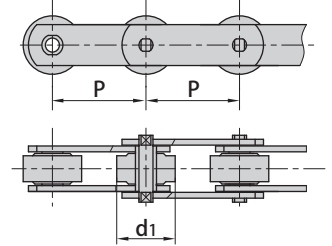
1.without rollers



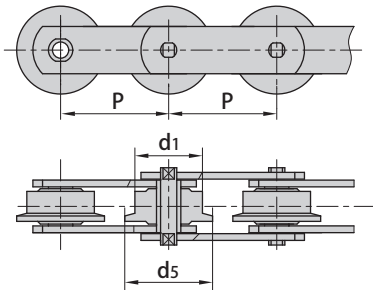
2.with S small rollers type



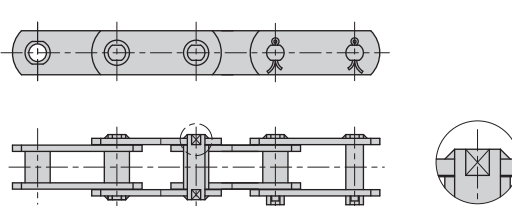
3.with P large rollers type



4.with F flanged rollers type



5.Welded pins with plates



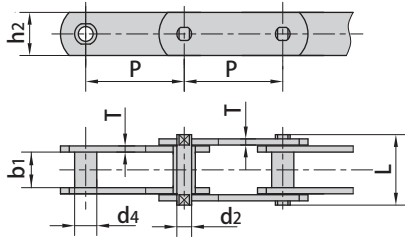
ISO Chain No.	Pitch								Roller diameter			Bush diameter
	P mm								d1 max mm	d7 max mm	d5 max mm	d4 max mm
M20	*40.0	50.0	63.0	80.0	100.0	125.0	160.0		25.0	12.5	32.0	9.0
M28	*50.0	63.0	80.0	100.0	125.0	160.0	200.0		30.0	15.0	36.0	10.0
M40	63.0	80.0	100.0	125.0	160.0	200.0	250.0		36.0	18.0	42.0	12.5
M56	*63.0	80.0	100.0	125.0	160.0	200.0	250.0		42.0	21.0	50.0	15.0
M80	80.0	100.0	125.0	160.0	200.0	250.0	315.0		50.0	25.0	60.0	18.0
M112	*80.0	100.0	125.0	160.0	200.0	250.0	315.0	400.0	60.0	30.0	70.0	21.0
M160	*100.0	125.0	160.0	200.0	250.0	315.0	400.0	500.0	70.0	36.0	85.0	25.0
M224	*125.0	160.0	200.0	250.0	315.0	400.0	500.0	630.0	85.0	42.0	100.0	30.0
M315	*160.0	200.0	250.0	315.0	400.0	500.0	630.0		100.0	50.0	120.0	36.0
M450	200.0	250.0	315.0	400.0	500.0	630.0	800.0		120.0	60.0	140.0	42.0

ISO Chain No.	Width between inner plates	Pin diameter	Pin length	Plate depth	Plate thickness	Ultimate tensile strength	Average tensile strength
	b1 min mm	d2 max mm	L max mm	h2 max mm	T max mm	Q min kN/lbf	Q0 kN
M20	16.0	6.0	35.0	19.0	2.5	20.0/4545	25.0
M28	18.0	7.0	40.0	21.0	3.0	28.0/6364	35.0
M40	20.0	8.5	45.0	26.0	3.5	40.0/9091	50.0
M56	24.0	10.0	52.0	31.0	4.0	56.0/12727	70.0
M80	28.0	12.0	62.0	36.0	5.0	80.0/18182	100.0
M112	32.0	15.0	73.0	41.0	6.0	112.0/25454	140.0
M160	37.0	18.0	85.0	51.0	7.0	160.0/36364	200.0
M224	43.0	21.0	98.0	62.0	8.0	224.0/50909	280.0
M315	48.0	25.0	112.0	72.0	10.0	315.0/71591	393.7
M450	56.0	30.0	135.0	82.0	12.0	450.0/102272	562.5

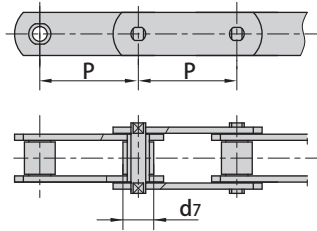
*Chain has bush and small roller only

Conveyor chains (M series)

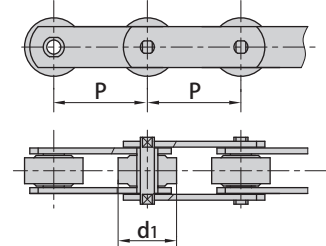
1. without rollers



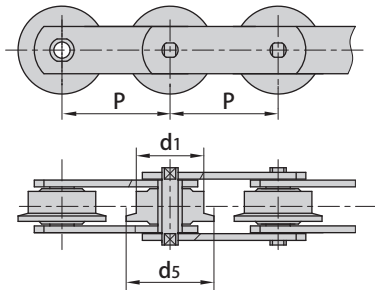
2. with S small rollers type



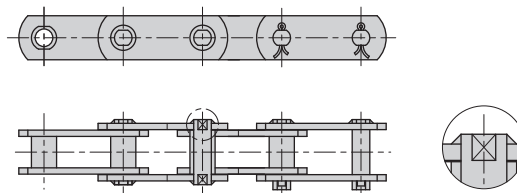
3. with P large rollers type



4. with F flanged rollers type



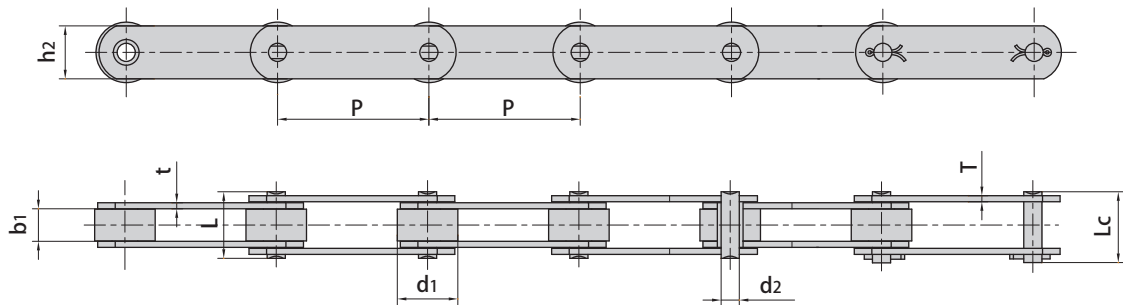
5. Welded pins with plates



DIN Chain No.	Pitch							Roller diameter			Bush diameter
	P mm							d1 max mm	d7 max mm	d5 max mm	d4 max mm
M20	40.0	50.0	63.0	80.0	100.0	125.0	160.0	25.0	12.50	30.00	9.0
M28	50.0	63.0	80.0	100.0	125.0	160.0	200.0	30.0	15.00	36.00	10.0
M40	63.0	80.0	100.0	125.0	160.0	200.0	250.0	36.0	18.00	42.00	12.5
M56	63.0	80.0	100.0	125.0	160.0	200.0	250.0	42.0	21.00	50.00	15.0
M80	80.0	100.0	125.0	160.0	200.0	250.0	315.0	50.0	25.00	60.00	18.0
M112	80.0	100.0	125.0	160.0	200.0	250.0	315.0	60.0	30.00	70.00	21.0
M160	100.0	125.0	160.0	200.0	250.0	315.0	400.0	70.0	36.00	85.00	25.0
M224	125.0	160.0	200.0	250.0	315.0	400.0	500.0	85.0	42.00	100.00	30.0
M315	160.0	200.0	250.0	315.0	400.0	500.0	630.0	100.0	50.00	120.00	36.0
M450	200.0	250.0	315.0	400.0	500.0	630.0	800.0	120.0	60.00	140.00	42.0

DIN Chain No.	Width between inner plates	Pin diameter	Pin length	Plate depth	Plate thickness	Ultimate tensile strength	Average tensile strength
	b1 min mm	d2 max mm	L max mm	h2 max mm	T max mm	Q min kN/lbf	Q0 kN
M20	16.0	6.0	35.0	18.0	2.5	20.0/4545	25.0
M28	18.0	7.0	40.0	20.0	3.0	28.0/6364	35.0
M40	20.0	8.5	45.0	25.0	3.5	40.0/9091	50.0
M56	24.0	10.0	52.0	30.0	4.0	56.0/12727	70.0
M80	28.0	12.0	62.0	35.0	5.0	80.0/18182	100.0
M112	32.0	15.0	73.0	40.0	6.0	112.0/25454	140.0
M160	37.0	18.0	85.0	50.0	7.0	160.0/36364	200.0
M224	43.0	21.0	98.0	60.0	8.0	224.0/50909	280.0
M315	48.0	25.0	112.0	70.0	10.0	315.0/71591	393.7
M450	56.0	30.0	135.0	80.0	12.0	450.0/102272	562.5

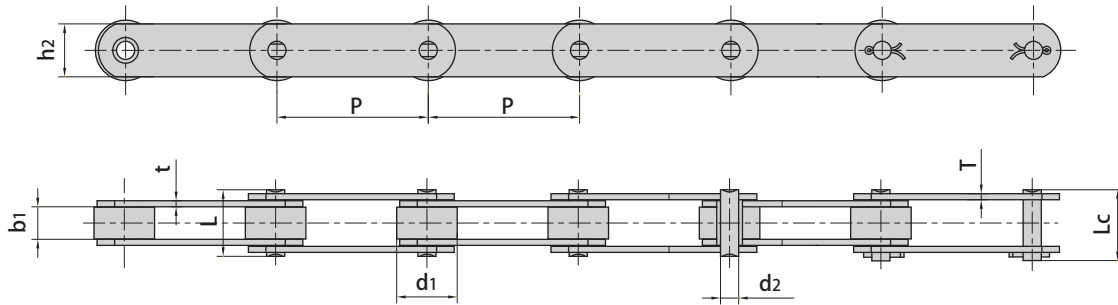
Conveyor chains (M series)



Donghua Chain No.	Pitch	Roller diameter	Width between inner plates	Pin diameter	Pin length		Inner plate depth	Plate thickness	Ultimate tensile strength	Average tensile strength	Weight per meter
	p mm	d1 max mm	b1 min mm	d2 max mm	L max mm	Lc max mm	h2 max mm	t/T max mm	Q min kN/lbf	Q0 kN	q kg/m
M18F1-P-50	50.0	25.00	11.50	5.72	26.0	28.2	18.0	2.5	18.0/4050	20.0	1.81
M20-PF1-50	50.0	30.00	16.00	6.00	31.0	33.5	18.0	2.5	20.0/4500	22.0	2.60
M22-P-50	50.0	25.00	11.50	8.00	28.0	30.9	20.0	3.0	22.0/4950	24.2	2.64
M22F1-P-50	50.0	25.00	12.00	10.00	29.4	32.6	20.0	3.0	22.0/4950	24.2	2.30
M28F4-S-50	50.0	15.00	17.00	7.00	33.0	36.5	20.0	3.0	28.0/6300	35.0	1.88
M28F5-P-63	63.0	30.00	18.00	7.00	42.0	45.5	25.0	5.0	40.0/9000	50.0	4.23
M35F2-S-35	35.0	14.00	14.00	7.00	31.0	34.0	18.0	3.5/2.5	35.0/7874	39.0	1.82
M35F2-P-35	35.0	22.00	14.00	7.00	31.0	34.0	18.0	3.5/2.5	35.0/7874	39.0	2.47
*M35F3-B-35	35.0	14.00	14.00	6.00	30.2	33.0	18.0	3.0	35.0/7874	39.0	1.73
M35F4-C-69	69.0	25.00	12.00	7.00	27.5	30.0	19.0	2.5	35.0/7874	39.0	1.60
M35F5-P-50.8	50.8	25.00	16.00	7.00	33.0	36.0	20.0	3.0	35.0/7874	39.0	2.48
M35F9-P-50	50.0	25.00	16.00	6.00	30.4	32.7	18.0	2.5	33.0/7425	36.0	2.23
M35F10-P-50	50.0	20.00	16.00	7.00	33.0	36.0	25.0	3.0	35.0/7874	39.0	2.53
M35F11-P-35	35.0	20.00	16.00	7.00	31.0	34.0	18.0	2.50	35.0/7874	39.0	2.22
*M40-B-101.6	101.6	17.00	15.00	14.00	37.0	40.5	25.0	4.0	40.0/9000	44.0	2.30
M40-PF1-100	100.0	36.00	20.00	8.50	40.5	44.5	25.0	3.5	40.0/9000	44.0	3.28
M40F4-P-50	50.0	31.75	15.00	10.00	36.6	39.0	25.0	4.0	40.0/9000	44.0	4.00
M40F5-S-65	65.0	24.00	15.00	10.00	36.6	39.0	30.0	4.0	40.0/9000	44.0	4.86
M40F6-P-80	80.0	36.00	20.00	8.50	41.0	44.2	25.0	4.0	40.0/9000	44.0	3.68
M40F17-P-50.8	50.8	31.00	15.20	13.35	38.0	42.8	25.0	5.0/4.0	53.9/12127	59.2	4.45
M40F22-P-100	100.0	40.00	32.00	14.00	63.7	69.0	50.0	6.0	195.0/43838	214.5	10.30
M56-SF1-63	63.0	25.00	24.00	10.00	46.0	49.5	30.0	4.0	56.0/12600	61.6	2.31
M56-SF1-80	80.0	25.00	24.00	10.00	46.0	49.5	30.0	4.0	56.0/12600	61.6	3.61
M56-PF1-80	80.0	50.00	24.00	10.00	46.0	49.5	30.0	4.0	56.0/12600	61.6	6.96
M56F14-S-63	63.0	21.00	24.00	10.00	46.0	49.5	30.0	4.0	56.0/12600	61.6	3.81
M56F14-S-80	80.0	21.00	24.00	10.00	46.0	49.5	30.0	4.0	56.0/12600	61.6	3.27
M56F14-P-100	100.0	42.00	24.00	10.00	46.0	49.5	30.0	4.0	56.0/12600	61.6	5.00
M56F21-P-100	100.0	42.00	24.00	12.00	54.7	59.5	30.0	6.0	56.0/12600	61.6	6.30
M56F28-P-100	100.0	31.00	15.00	10.00	38.2	43.0	30.0	4.0	56.0/12600	61.6	3.20
M75-P-75	75.0	40.00	22.00	12.00	44.0	47.0	35.0	4.0	75.0/16870	75.0	5.88
M80F3-P-125	125.0	50.00	28.00	11.00	55.0	58.5	35.0	5.0	80.0/18000	88.0	6.72
*M80F4-BF1-125	125.0	25.00	28.00	12.00	55.0	58.5	35.0	5.0	80.0/18000	88.0	4.27
M80F4-A-100	100.0	25.00	28.00	12.00	55.0	58.5	35.0	5.0	80.0/18000	88.0	4.63
*M80F4-B-100	100.0	18.00	28.00	12.00	55.0	58.5	35.0	5.0	80.0/18000	88.0	4.13
*M80F4-B-125	125.0	18.00	28.00	12.00	55.0	58.5	35.0	5.0	80.0/18000	88.0	3.85

*Bush chain: d1 in the table indicates the external diameter of the bush.

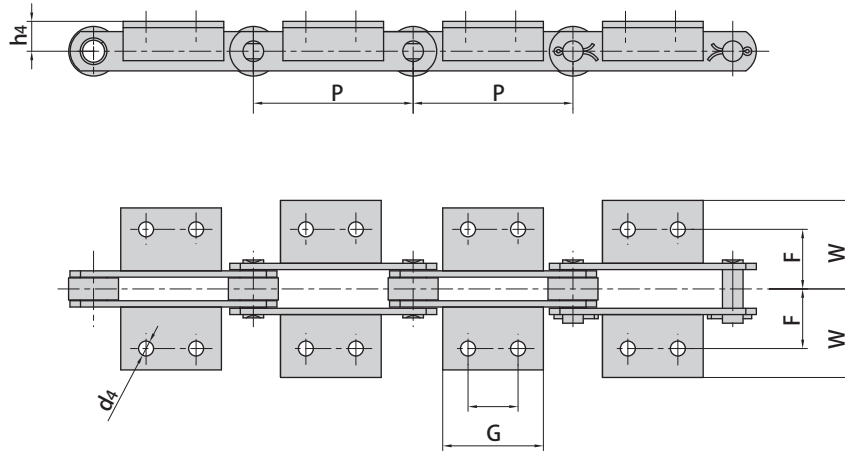
Conveyor chains (M series)



Donghua Chain No.	Pitch	Roller diameter	Width between inner plates	Pin diameter	Pin length		Inner plate depth	Plate thickness	Ultimate tensile strength	Average tensile strength	Weight per meter
	P mm	d1 max mm	b1 min mm	d2 max mm	L max mm	Lc max mm	h2 max mm	t/T max mm	Q min kN/lbf	Q0 kN	q kg/m
M80F6-P-75	75.0	35.00	14.00	12.00	40.5	45.0	30.0	5.0	80.0/18000	88.0	4.80
M80F8-S-80	80.0	25.00	28.00	12.00	55.0	58.5	35.0	5.0	80.0/18000	88.0	5.11
*M80F8-B-80	80.0	18.00	28.00	12.00	55.0	58.5	35.0	5.0	80.0/18000	88.0	4.48
*M80F8-B-100	100.0	18.00	28.00	12.00	55.0	58.5	35.0	5.0	80.0/18000	88.0	4.14
*M80F8-B-125	125.0	18.00	28.00	12.00	55.0	58.5	35.0	5.0	80.0/18000	88.0	3.85
M80F9-S-80	80.0	25.00	28.00	12.00	54.5	59.0	35.0	5.0	80.0/18000	88.0	5.07
M80F12-P-100	100.00	50.00	28.00	12.00	55.0	58.5	35.0	5.0	80.0/18000	88.0	7.80
M100-P-80	80.0	47.50	31.40	15.90	71.2	76.0	40.0	8.0	100.0/22727	110.00	12.36
M112F2-P-125	125.0	55.00	50.00	16.00	87.1	91.6	40.0	7.2	112.0/25200	123.20	13.35
M224F3-P-160	160.0	80.00	30.00	21.00	81.0	-	60.0	8.0	224.0/50909	246.00	17.34
*M112F6-B-100	100.0	21.00									6.14
*M112F6-B-125	125.0	21.00	32.00	15.00	64.0	68.3	40.0	6.0	112.0/25200	123.20	5.46
M112F6-P-125	125.0	60.00									10.33
M112F7-P-125	125.0	30.00	32.00	15.00	64.0	68.3	40.0	6.0	112.0/25200	123.20	6.39
M112F8-S-100	100.0	30.00	31.00	15.00	63.5	68.0	40.0	6.0	112.0/25200	123.20	7.14
*M112F14	160.0	21.00	31.00	14.00	64.4	69.0	40.0	6.0	112.0/25200	123.20	5.03
*M112F15-B-100	100.0	21.00	31.00	15.00	64.5	69.0	40.0	6.0	112.0/25200	123.20	5.90
M112F18-S-100	100.0	30.00	31.00	15.00	64.0	68.6	36.0	6.0	112.0/25200	123.20	6.20
*M112F18-B-125	125.0	21.00	31.00	15.00	-	68.6	36.0	6.0	112.0/25200	123.20	5.25
M112F21-P-160	160.0	40.00	25.00	15.00	57.5	62.0	40.0	6.0	112.0/25200	123.20	6.86
M112F24-S-100	100.0	30.00	32.00	15.00	-	73.2	36.0	6.0	112.0/25200	123.20	6.82
M112-PF1-80	80.0	40.00	32.00	15.00	64.5	69.0	40.0	6.0	112.0/25200	123.20	10.97
M160-P-152.4	152.4	66.70	25.40	26.90	58.0	68.0	50.0	7.1/5.1	156.0/35451	171.60	12.10
M160F1-P-100	100.0	36.00	36.00	18.00	76.0	80.0	40.0	7.0	160.0/36364	176.00	9.42
*M160F14-B-100	100.0	25.00	37.00	18.00	77.3	83.5	50.0	8.0	160.0/36364	176.00	10.44
*M160F15-B-100	100.0	25.00	37.00	18.00	85.3	91.5	50.0	10.0	160.0/36364	176.00	12.51
M160F23-S-160	160.0	36.00	37.00	18.00	73.3	79.5	50.0	7.0	160.0/36364	176.00	11.95
*M224F30-B-125	125.0	30.00	42.00	21.00	-	92.5	56.0	8.0	224.0/50909	246.00	12.49
*M224F31-B-200	200.0	30.00	43.00	21.00	84.0	91.0	60.0	8.0	224.0/50909	246.00	10.05
*M315F1-B-125	125.0	36.00	37.00	25.00	90.0	-	70.0	10.0	315.0/70862	346.00	19.15
*M315F6-B-160	160.0	42.00	80.00	25.00	140.0	140.0	80.0	12.0	315.0/70862	346.50	27.30
M315F10-S-250	250.0	50.00	55.00	26.00	106.9	113.0	70.0	10.0	315.0/70862	393.70	17.60
M315F12-S-200	200.0	45.00	48.00	25.00	119.0	126.5	70.0	15.0	600.0/135000	648.00	24.20
M315F16-S-250	250.0	60.00	48.00	25.00	109.5	117.0	70.0	12.0	600.0/135000	648.00	21.60
*M315F17-B-160	160.0	36.00	66.70	25.00	93.5	100.5	70.0	8.0	315.0/70862	346.50	15.04

*Bush chain: d1 in the table indicates the external diameter of the bush.

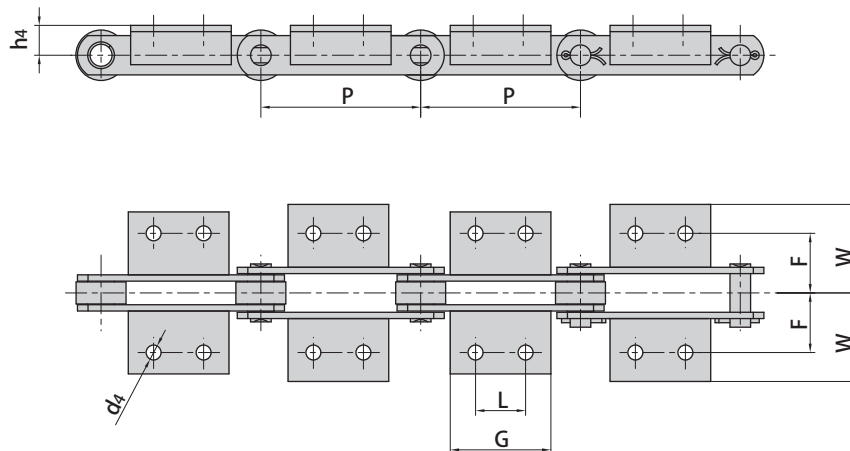
Conveyor chains with attachments (M series)



ISO Chain No.	P	L	G	d ₄	F	W	h ₄
	mm	mm	mm	mm	mm	mm	mm
M20	40.0	△	14.0	6.6	27.0	40.0	16.0
	50.0	△	14.0				
	63.0	20.0	35.0				
	80.0	35.0	50.0				
M28	50.0	△	20.0	9.0	32.0	47.0	20.0
	63.0	△	20.0				
	80.0	25.0	45.0				
	100.0	40.0	60.0				
M40	63.0	△	31.0	9.0	35.0	50.0	25.0
	80.0	20.0	45.0				
	100.0	40.0	60.0				
	125.0	65.0	85.0				
M56	63.0	△	22.0	11.0	44.0	61.0	30.0
	80.0	△	30.0				
	100.0	25.0	50.0				
	125.0	50.0	75.0				
	160.0	85.0	110.0				
M80	80.0	△	30.0	11.0	48.0	65.0	35.0
	100.0	25.0	50.0				
	125.0	50.0	75.0				
	160.0	85.0	110.0				
	200.0	125.0	150.0				

△Attachments with 1 hole

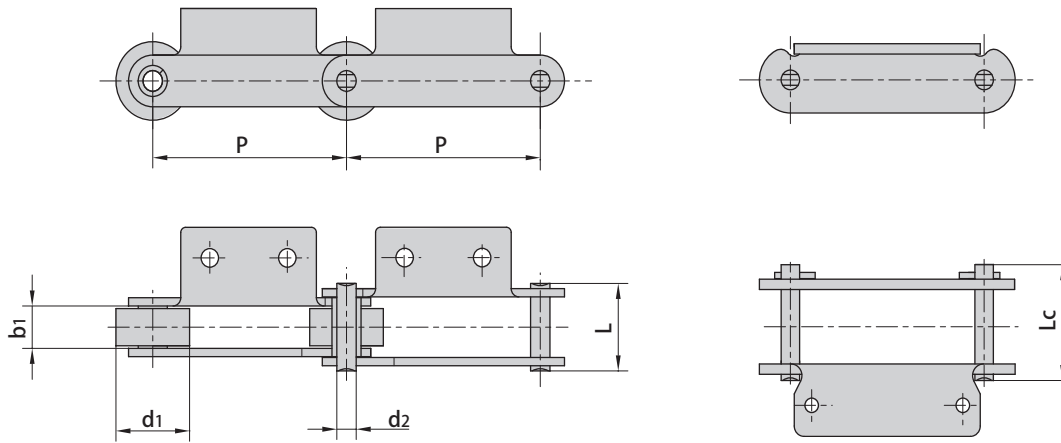
Conveyor chains with attachments (M series)



ISO Chain No.	P	L	G	d ₄	F	W	h ₄
	mm	mm	mm	mm	mm	mm	mm
M112	80.0	△	28.0	14.0	55.0	80.0	40.0
	100.0	△	40.0				
	125.0	35.0	65.0				
	160.0	65.0	95.0				
	200.0	100.0	130.0				
M160	100.0	△	30.0	14.0	62.0	85.0	45.0
	125.0	25.0	50.0				
	160.0	50.0	80.0				
	200.0	85.0	115.0				
	250.0	145.0	175.0				
M224	125.0	△	35.0	18.0	70.0	110.0	55.0
	160.0	△	60.0				
	200.0	65.0	100.0				
	250.0	125.0	160.0				
	315.0	190.0	230.0				
M315	160.0	△	35.0	18.0	80.0	115.0	65.0
	200.0	50.0	85.0				
	250.0	100.0	140.0				
	315.0	155.0	190.0				
	400.0	155.0	205.0				

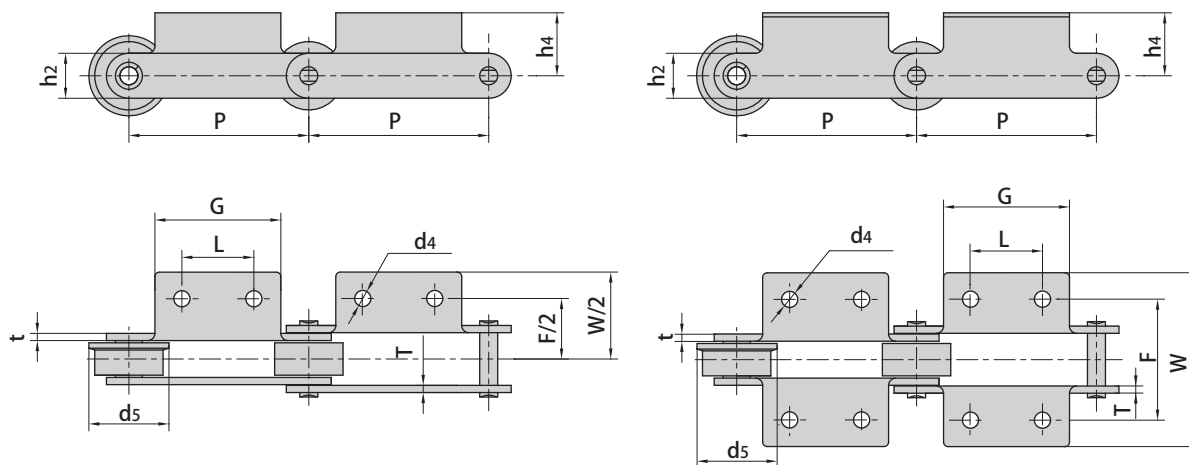
△ Attachments with 1 hole

Conveyor chains with attachments (M series)



Donghua Chain No.	Pitch	Roller diameter	Width between inner plates	Pin diameter	Pin length		Ultimate tensile strength	Average tensile strength	Weight per meter
	P	d1 max	b1 min	d2 max	L max	Lc max	Q min	Q0	q
	mm	mm	mm	mm	mm	mm	kN/lbf	kN	kg/m
M18F1A1-P-50	50.0	25.0	11.5	5.72	26.0	28.2	18.0/4050	20.0	2.46
M18F2A1.02-P-50	50.0	25.0	11.5	5.72	28.0	30.2	18.0/4050	20.0	2.18
M18F2A1F1.32-P-50	50.0	25.0	11.5	5.70	28.0	30.2	18.0/4050	20.0	1.85
M18F4A1.02-S-50	50.0	15.0	12.0	6.00	24.0	26.5	18.0/4050	20.0	1.20
M20K1F2.02-S-50	50.0	12.5	16.0	6.00	31.0	33.5	20.0/4545	25.0	3.60
M20A2F1-S-50	50.0	12.5	16.0	6.00	31.0	33.5	20.0/4545	25.0	1.53
M28F1A2-P-80	80.0	29.4	18.0	7.00	35.4	38.7	28.0/6300	31.0	2.60
M28F3A2-P-63	63.0	30.0	17.0	7.00	37.3	40.3	35.0/7874	39.0	3.48
M28F3A2-F-100	100.0	30.0	17.0	7.00	37.3	40.3	35.0/7874	39.0	3.46
M32A1.02-P-50	50.0	31.0	15.0	10.00	33.0	35.5	32.0/7200	35.2	4.09
M32A1F1-P-50	50.0	31.0	15.0	10.00	33.0	35.5	32.0/7200	35.2	3.96
M32A1F2.02-PF1-50	50.0	36.0	14.8	10.00	32.6	35.5	35.0/7874	39.0	4.40
M35F4A1.01-C-69	69.0	25.0	12.0	7.00	27.5	30.0	35.0/7874	39.0	2.26
M40FA1.02-P-50	50.0	31.0	15.0	10.00	36.6	39.0	75.0/16872	82.5	4.52
M40FK2F1-P-50	50.0	31.0	15.0	10.00	36.6	39.0	40.0/9000	44.0	4.94
M40FA2-P-50	50.0	31.0	15.0	10.00	36.6	39.0	40.0/9000	44.0	4.54
M40FA1F1.02-P-50	50.0	31.0	15.0	10.00	36.6	39.0	40.0/9000	44.0	4.31
M40FA2F1.08-P-50	50.0	31.0	15.0	10.00	36.6	39.0	40.0/9000	44.0	4.08
M40F17A2-P-50.8	50.8	31.0	15.2	13.40	38.0	42.8	53.9/12127	59.2	4.90
M40F5A2-S-65	65.0	24.0	15.0	12.00	38.0	41.0	40.0/9000	44.0	4.74
M40F10-F-76.2	76.2	31.5	15.0	14.00	38.0	42.0	40.0/9000	44.0	4.16
M40A2F2-F-80	80.0	36.0	20.0	8.50	40.5	45.0	40.0/8992	44.0	4.98
M40F1-P-125	125.0	36.0	38.0	14.27	75.6	-	40.0/9091	44.0	10.18
M56F1-P-100	100.0	38.0	20.5	10.00	42.3	46.1	56.0/12727	61.0	4.63
M56F2-P-100	100.0	42.0	22.5	10.00	44.6	48.5	56.0/12727	61.0	5.67
M56F2-F-100	100.0	42.0	22.5	10.00	44.6	48.5	56.0/12727	61.0	5.88
M56F3-P-100	100.0	38.0	20.5	10.00	42.3	46.1	56.0/12727	61.0	4.72
M56F3-F.06-100	100.0	38.0	20.5	10.00	42.3	46.1	56.0/12727	61.0	4.70
M56F8-P-100	100.0	38.0	17.0	10.00	38.8	42.6	56.0/12727	61.0	3.79
M56F9-F1-100	100.0	38.0	20.5	10.00	46.3	50.1	88.2/19845	97.0	5.80
M56F23-F-100	100.0	42.0	24.0	10.00	44.6	49.5	56.0/12727	61.0	5.52

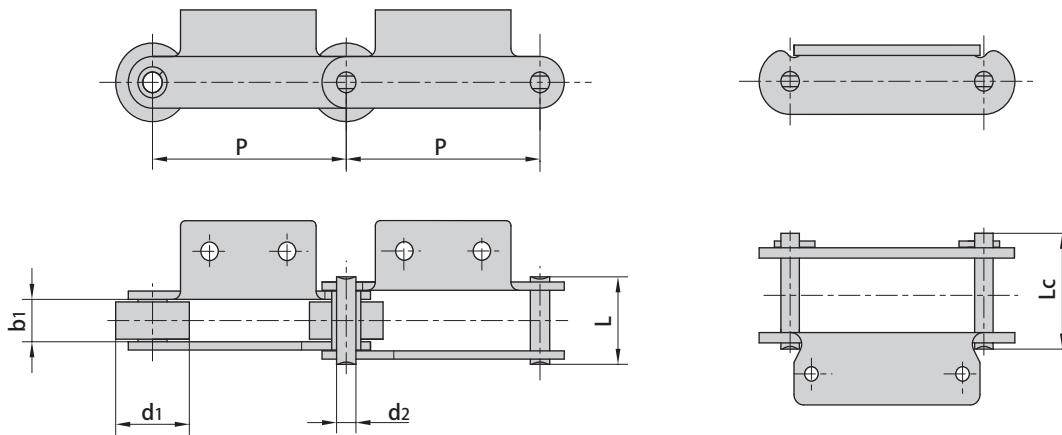
Conveyor chains with attachments (M series)



Donghua Chain No.	P	L	G	F	W	h4	h2	d4	t/T	d5
	mm	mm	mm	mm	mm	mm	mm	mm	mm	mm
M18F1A1-P-50	50.0	△	46.0	44.0	72.0	24.0	18.0	6.5	2.50	-
M18F2A1.02-P-50	50.0	△	41.0	48.0	68.0	25.0	15.0	6.5	3.00	-
M18F2A1F1.32-P-50	50.0	△	42.0	44.6	64.6	22.5	15.0	6.0	3.00	-
M18F4A1.02-S-50	50.0	△	30.0	50.0	83.0	20.0	15.0	8.0	2.03	-
M20K1F2.02-S-50	50.0	△	20.0	54.0	75.0	16.0	18.0	6.6	2.50	-
M20A2F1-S-50	50.0	20.0	35.0	52.0	80.0	13.0	18.0	8.1	2.50	-
M28F1A2-P-80	80.0	25.0	45.8	66.0	91.6	11.8	20.5	8.8	3.25	-
M28F3A2-P-63	63.0	20.0	50.0	64.0	92.0	20.0	20.0	9.0	4.00	-
M28F3A2-F-100	100.0	40.0	76.0	64.0	100.0	20.0	20.0	9.0	4.00	40.0
M32A1.02-P-50	50.0	△	60.0	62.0	97.0	35.0	23.0	10.0	3.00	-
M32A1F1-P-50	50.0	△	30.0	62.0	92.0	28.0	23.0	10.0	3.00	-
M32A1F2.02-PF1-50	50.0	△	60.0	62.0	97.0	16.5	23.0	10.0	3.00	-
M35F4A1.01-C-69	69.0	△	60.0	50.0	74.0	25.5	19.0	7.0	2.50	-
M40FA1.02-P-50	50.0	△	60.0	70.0	98.0	17.5	25.0	10.0	4.00	-
M40FK2F1-P-50	50.0	30.0	60.0	67.5	100.0	17.0	25.0	9.0	4.00	-
M40FA2-P-50	50.0	30.0	45.0	93.0	136.0	14.5	25.0	6.5	4.00	-
M40FA1F1.02-P-50	50.0	△	35.0	54.0	104.0	20.5	25.0	10.5	4.00	-
M40FA2F1.08-P-50	50.0	25.0	45.0	90.0	122.0	22.0	25.0	8.5	4.00	-
M40F17A2-P-50.8	50.8	30.0	55.0	66.0	92.0	18.0	25.0	10.2	5.00/4.00	-
M40F5A2-S-65	65.0	25.0	45.0	90.0	122.0	24.5	30.0	8.5	4.00	-
M40F10-F-76.2	76.2	22.2	38.3	76.2	106.5	19.0	26.0	9.4	4.00	40.0
M40A2F2-F-80	80.0	20.0	50.0	70.0	112.0	35.0	25.0	9.0	3.50	45.0
M40F1-P-125	125.0	50.0	90.0	100.0	140.0	36.0	50.0	13.0	6.00	-
M56F1-P-100	100.0	40.0	70.0	67.5	96.6	35.0	25.0	9.0	4.00	-
M56F2-P-100	100.0	29.7	50.0	124.0	148.0	21.5	32.0	7.0	4.00	-
M56F2-F-100	100.0	29.7	50.0	124.0	148.0	21.5	32.0	7.0	4.00	50.0
M56F3-P-100	100.0	50.0	70.0	71.0	101.0	35.0	25.0	9.0	4.00	-
M56F3-F.06-100	100.0	50.0	70.0	71.0	101.0	35.0	25.0	9.0	4.00	44.5
M56F8-P-100	100.0	△	70.0	63.8	95.0	25.0	25.0	8.2	4.00	-
M56F9-F1-100	100.0	40.0	70.0	68.0	96.6	25.0	32.0	9.0	5.00	45.0
M56F23-F-100	100.0	40.0	70.0	71.4	100.6	35.0	25.0	9.0	4.00	50.0

△Attachments with 1 hole

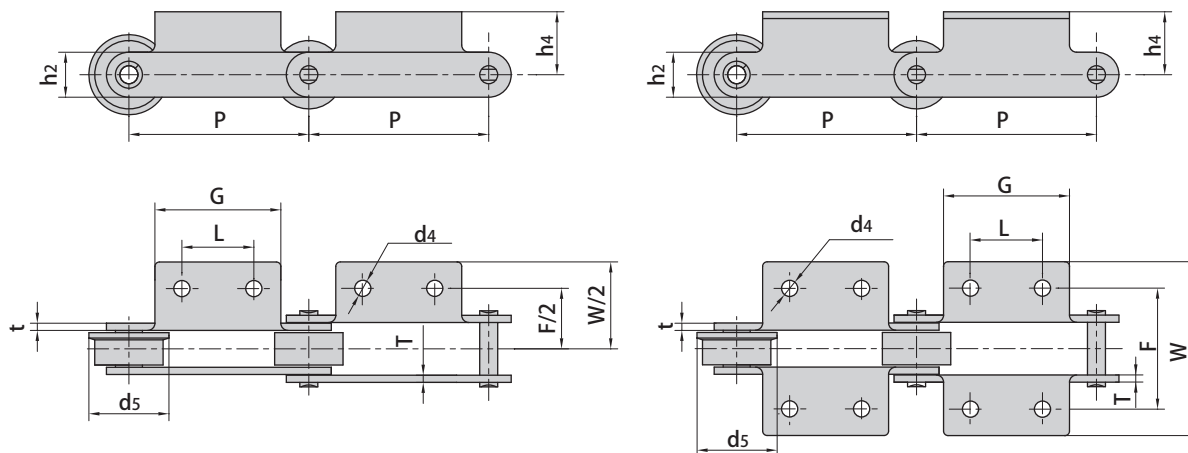
Conveyor chains with attachments (M series)



Donghua Chain No.	Pitch	Roller diameter	Width between inner plates	Pin diameter	Pin length		Ultimate tensile strength	Average tensile strength	Weight per meter
	P	d1 max	b1 min	d2 max	L max	Lc max	Q min	Q0	q
	mm	mm	mm	mm	mm	mm	kN/lbf	kN	kg/m
M56A2-P-125	125.0	42.0	24.0	10.00	46.0	49.5	56.0/12727	61.0	5.24
M75-P100	100.0	38.0	18.9	9.53	40.4	44.7	75.0/17045	83.0	4.85
M75-P100F1	100.0	38.0	18.9	9.53	38.4	42.7	75.0/17045	83.0	4.01
M75-P100F3	100.0	28.5	23.9	11.10	46.3	50.3	75.0/17045	83.0	4.53
M75F4-P-100	100.0	38.0	18.9	9.53	40.4	44.7	75.0/17045	83.0	4.62
M75-PF1-100	100.0	19.1	18.9	9.53	40.4	44.7	75.0/16872	75.0	3.43
M80K1F1-P-100	100.0	50.0	28.0	12.00	55.0	58.5	80.0/18000	88.0	9.10
*M80K2F1-B-100	100.0	18.0	28.0	12.00	55.0	58.5	80.0/18000	88.0	5.94
*M80F5K1-B-100	100.0	18.0	28.0	12.00	55.0	58.5	80.0/18000	88.0	5.45
M80A2F1-F-160	160.0	50.0	29.0	12.00	65.0	-	80.0/18000	88.0	7.45
M112F5K2-P-100	100.0	36.0	37.0	16.00	69.0	74.0	112.0/25200	123.2	8.28
M112A2F18.04-P-100	100.0	60.0	31.0	15.00	64.0	73.0	112.0/25200	123.2	11.80
*M112K2F2-B-100	100.0	21.0	32.0	15.00	64.5	69.0	112.0/25200	123.2	7.53
M112F16K1-P-125	125.0	60.0	32.0	15.00	68.5	73.0	112.0/25200	123.2	13.00
M112K2F1-S-125	125.0	30.0	32.0	16.00	64.5	69.0	112.0/25200	123.2	7.35
M112F9A2-F-180	180.0	50.0	32.0	15.00	64.5	69.0	160.0/35993	176.0	10.30
M112F3-F-200	200.0	60.0	37.0	16.00	69.0	74.0	112.0/25200	123.2	11.00
M160F1K2-P-100	100.0	36.0	36.0	18.00	76.0	80.0	160.0/35993	176.0	10.80
*M160F1K2.03-B-100	100.0	18.0	36.0	18.00	76.0	80.0	160.0/35993	176.0	9.73
M160F12K2-S-100	100.0	36.0	38.0	14.00	76.0	-	100.0/22496	110.0	9.33
*M160F2-B-100	100.0	25.0	37.0	18.00	73.3	83.0	222.0/49940	244.2	11.36
M160F25K2.04-B-100	100.0	25.0	37.0	18.00	73.3	79.5	160.0/36364	176.0	10.83
M160F3K1F1-P-101.6	101.6	66.7	26.0	26.90	58.0	78.5	156.0/35093	171.6	17.37
M160A2F7-F-200	200.0	70.0	37.0	18.00	85.0	-	181.8/40905	200.0	15.20
M160A2F8-F-200	200.0	85.0	37.0	18.00	85.0	-	181.8/40905	200.0	15.23
M160K2F2-S-200	200.0	36.0	36.0	18.00	76.0	80.0	160.0/36364	176.0	11.40
M160A2F8-F-200	200.0	70.0	37.0	18.00	85.0	-	181.8/40905	200.0	15.20
M224F6A2-P-160	160.0	85.0	42.0	21.00	87.5	92.5	224.0/51982	246.5	27.56
M224F29A2-F-200	200.0	85.0	43.0	21.00	85.0	91.0	224.0/50909	246.0	21.60
M224F1K2-P-200	200.0	85.0	42.0	21.00	95.0	-	224.0/50909	246.0	21.20
M315F22A2-F-400	400.0	100.0	56.0	25.00	109.8	115.3	315.0/70815	346.5	26.60

*Bush chain: d1 in the table indicates the external diameter of the bush.

Conveyor chains with attachments (M series)

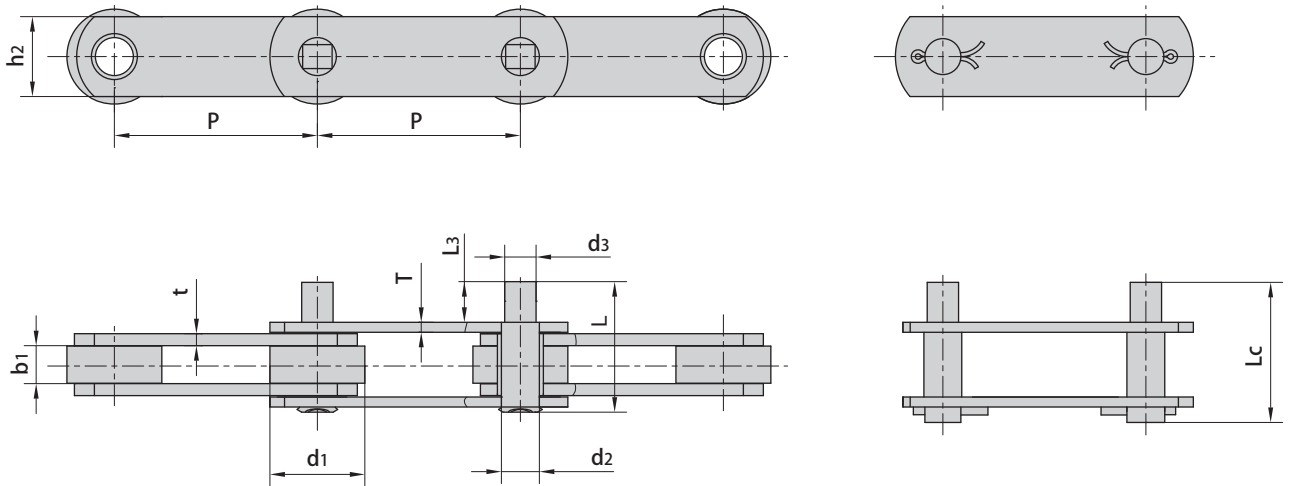


Donghua Chain No.	P	L	G	F	W	h4	h2	d4	t/T	d5
	mm	mm	mm	mm	mm	mm	mm	mm	mm	mm
M56A2-P-125	125.0	50.0	75.0	88.0	128.0	30.0	30.0	11.0	4.0	-
M75-P100	100.0	40.0	70.0	64.0	112.0	24.9	26.0	9.0	4.0	-
M75-P100F1	100.0	40.0	70.0	64.0	112.0	24.4	26.0	9.0	3.5	-
M75-P100F3	100.0	50.0	70.0	75.7	96.7	35.0	26.0	9.7	4.0	-
M75F4-P-100	100.0	40.0	70.0	90.0	112.4	24.9	26.0	8.5	4.0	-
M75-PF1-100	100.0	40.0	70.0	64.0	112.0	24.9	26.0	9.0	4.0	-
M80K1F1-P-100	100.0	△	30.0	96.0	138.0	35.0	35.0	11.0	5.0	-
*M80K2F1-B-100	100.0	70.0	100.0	96.0	130.0	35.0	35.0	11.0	5.0	-
*M80F5K1-B-100	100.0	△	60.0	100.0	156.0	23.2	35.0	13.0×17.0	5.0	-
M80A2F1-F-160	160.0	60.0	95.0	94.0	124.0	27.5	35.0	9.0	5.0	60.0
M112F5K2-P-100	100.0	35.0	65.0	98.5	140.0	40.0	40.0	14.0	6.0	-
M112A2F18.04-P-100	100.0	30.0	60.0	100.0	130.0	33.0	36.0	9.0	6.0	-
*M112K2F2-B-100	100.0	30.0	60.0	100.0	130.0	30.0	40.0	9.0	6.0	-
M112F16K1-P-125	125.0	△	72.0	120.0	184.0	39.0	40.0	13.0	7.0	-
M112K2F1-S-125	125.0	80.0	110.0	85.8	115.8	35.0	40.0	13.0	6.0	-
M112F9A2-F-180	180.0	100.0	130.0	110.0	160.0	40.0	40.0	14.0	6.0	60.0
M112F3-F-200	200.0	90.0	120.0	102.0	137.5	40.0	45.0	11.0	6.0	75.0
M160F1K2-P-100	100.0	40.0	80.0	124.0	183.0	35.0	40.0	14.0	7.0	-
*M160F1K2.03-B-100	100.0	40.0	80.0	124.0	283.0	35.0	40.0	14.0	7.0	-
M160F12K2-S-100	100.0	30.0	70.0	100.0	120.0	35.0	40.0	13.0	5.6	-
*M160F2-B-100	100.0	△	110.0	125.0	155.0	45.0	50.0	17.0	7.0	-
M160F25K2.04-B-100	100.0	40.0	80.0	124.0	180.0	45.0	50.0	14.0	7.0	-
M160F3K1F1-P-101.6	101.6	△	56.0	175.0	204.0	38.0	51.0	11.0	7.1/5.1	-
M160A2F7-F-200	200.0	85.0	115.0	124.0	170.0	45.0	51.0	14.0	7.0	85.0
M160A2F8-F-200	200.0	80.0	115.0	124.0	170.0	45.0	51.0	12.0	7.0	85.0
M160K2F2-S-200	200.0	100.0	180.0	103.0	133.0	45.0	51.0	9.0	7.0	-
M160A2F8-F-200	200.0	80.0	115.0	124.0	170.0	45.0	51.0	12.0	7.0	85.0
M224F6A2-P-160	160.0	80.0	125.0	136.0	182.0	62.0	72.0	17.0	8.0	-
M224F29A2-F-200	200.0	50.0	100.0	170.0	200.0	45.0	60.0	13.0	8.0	100.0
M224F1K2-P-200	200.0	80.0	120.0	128.0	168.0	40.0	50.0	14.0	9.0	-
M315F22A2-F-400	400.0	200.0	250.0	160.0	207.6	70.0	70.0	18.0	10.0	120.0

△ Attachments with 1 hole

*Bush chain: d1 in the table indicates the external diameter of the bush.

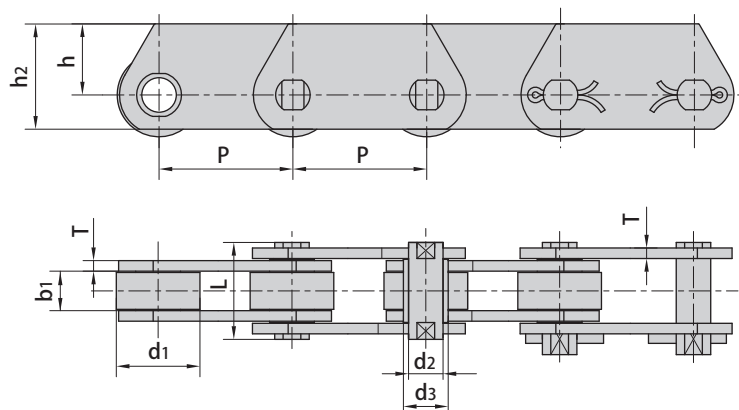
Conveyor chains with extended pins (M series)



Donghua Chain No.	Pitch	Roller diameter	Width between inner plates	Pin diameter	Extended pin dimension		Pin length		Inner plate depth	Plate thickness
	P	d1 max	b1 min	d2 max	d3 max	L3	L max	Lc max	h2 max	T max
	mm	mm	mm	mm	mm	mm	mm	mm	mm	mm
M18F7-D3-P-75	75.00	25.00	11.50	5.72	12.00	30.0	56.6	58.9	20.0	3.0
M20D1F1.02-P-80	80.00	25.00	16.00	6.00	6.00	25.5	54.7	57.2	18.0	2.5
M75-D3-P-100	100.00	38.00	18.95	9.53	11.00	38.0	76.2	80.5	26.0	4.0
M100F11-P-101.6-D3	101.60	47.50	19.00	19.00	15.70	20.0	66.3	71.5	40.0	6.0/5.0
M100-P-152.4-D3	152.40	47.50	19.00	19.00	18.25	84.8	127.5	132.7	40.0	5.0/4.0
M100-P-203.2-D3	203.20	47.50	19.00	19.00	18.25	84.8	127.5	132.7	40.0	5.0/4.0

Donghua Chain No.	Ultimate tensile strength	Average tensile strength	Weight per meter
	Q _{min}	Q _{0 min}	q
	kN/lbf	kN	kg/m
M18F7-D3-P-75	18.0/4050	20.00	2.14
M20D1F1.02-P-80	20.0/4545	25.00	1.65
M75-D3-P-100	75.0/16870	82.50	3.61
M100F11-P-101.6-D3	150.0/33722	165.00	7.60
M100-P-152.4-D3	100.0/22496	110.00	6.36
M100-P-203.2-D3	100.0/22496	110.00	5.49

Conveyor chains (MT series)

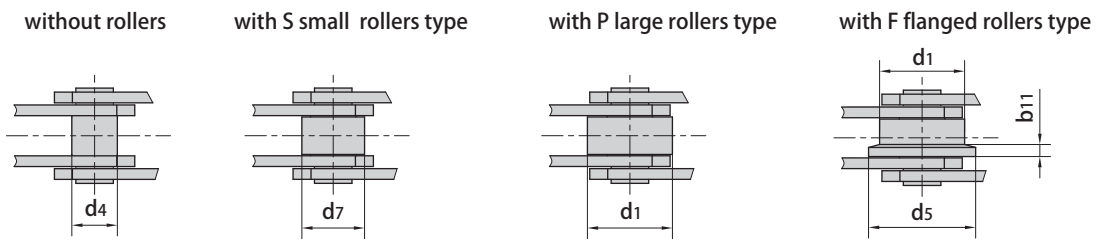
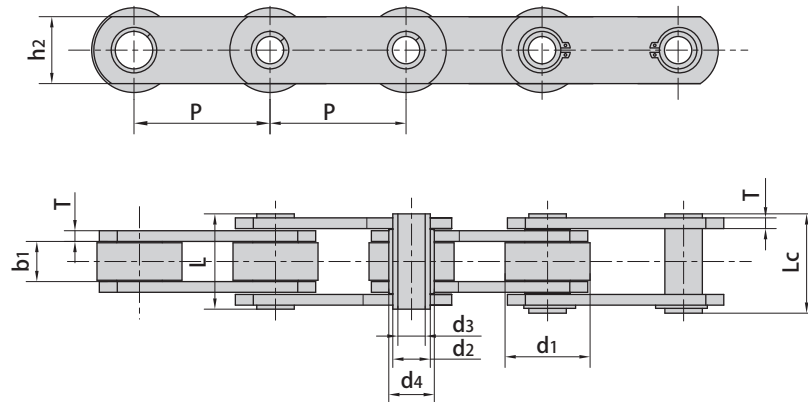


DIN Chain No.	Pitch					Roller diameter	Pin diameter	Bush diameter	Plate thickness
	P					d1 max	d2 max	d3 max	T max
	mm					mm	mm	mm	mm
MT20	40.0	50.0	63.0	80.0	100.0	25.0	6.0	9.0	2.5
MT28	50.0	63.0	80.0	100.0	125.0	30.0	7.0	10.0	3.0
MT40	63.0	80.0	100.0	125.0	160.0	36.0	8.5	12.5	3.5
MT56	63.0	80.0	100.0	125.0	160.0	42.0	10.0	15.0	4.0
MT80	80.0	100.0	125.0	160.0	200.0	50.0	12.0	18.0	5.0
MT112	80.0	100.0	125.0	160.0	200.0	60.0	15.0	21.0	6.0
MT160	100.0	125.0	160.0	200.0	250.0	70.0	18.0	25.0	7.0
MT224	125.0	160.0	200.0	250.0	315.0	85.0	21.0	30.0	8.0
MT315	160.0	200.0	250.0	315.0	400.0	100.0	25.0	36.0	10.0
MT450	200.0	250.0	315.0	400.0	500.0	120.0	30.0	42.0	12.0

DIN Chain No.	Width between inner plates	Pin length	Plate depth		Ultimate tensile strength	
	b1 min	L max	h2 max	h max	Q min	*Q min
	mm	mm	mm	mm	kN/lbf	kN/lbf
MT20	16.0	35.0	25.0	16.0	20.0/4545	32.0/7270
MT28	18.0	40.0	30.0	20.0	28.0/6364	42.0/9545
MT40	20.0	45.0	35.0	22.5	40.0/9091	60.0/13635
MT56	24.0	52.0	45.0	30.0	56.0/12727	85.0/19318
MT80	28.0	62.0	50.0	32.5	80.0/18182	125.0/28408
MT112	32.0	73.0	60.0	40.0	112.0/25454	175.0/39768
MT160	37.0	85.0	70.0	45.0	160.0/36364	260.0/59090
MT224	43.0	98.0	90.0	60.0	224.0/50909	340.0/77272
MT315	48.0	112.0	100.0	65.0	315.0/71591	520.0/118180
MT450	56.0	135.0	120.0	80.0	450.0/102272	700.0/159089

*Q denotes the ultimate tensile strength after hardened

Hollow pin conveyor chains (MC series)

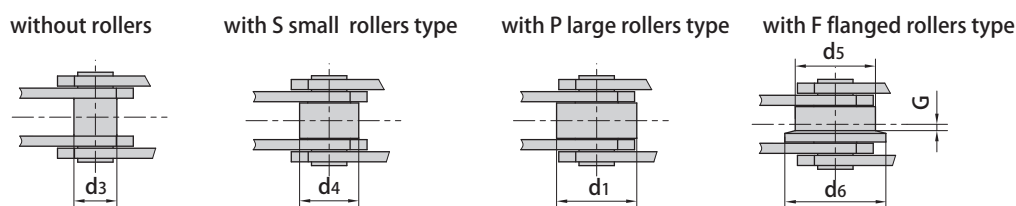
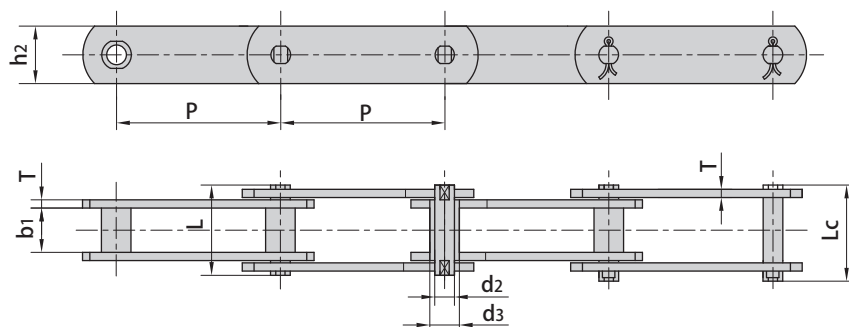


DIN Chain No.	Pitch						Roller dimension				Bush diameter	Plate depth
	P						d1 max	d7 max	d5 max	b11	d4 max	h2 max
	mm						mm	mm	mm	mm	mm	mm
MC28	63.0	80.0	100.0	125.0	160.0	-	36.0	25.0	45.0	4.5	17.5	25.0
MC56	80.0	100.0	125.0	160.0	200.0	250.0	50.0	30.0	60.0	5.0	21.0	35.0
MC112	100.0	125.0	160.0	200.0	250.0	315.0	70.0	42.0	85.0	7.0	29.0	50.0
MC224	160.0	200.0	250.0	315.0	400.0	500.0	100.0	60.0	120.0	10.0	41.0	70.0

DIN Chain No.	Width between inner plates	Pin diameter		Pin length		Plate thickness	Breaking load	
	b1 min	d2 max	d3 min	L max	Lc max	T max	Q min	*Q min
	mm	mm	mm	mm	mm	mm	kN/lbf	kN/lbf
MC28	20.0	13.0	8.2	36.0	38.5	3.5	28.0/6364	40.0/9091
MC56	24.0	15.5	10.2	45.0	47.5	4.0	56.0/12727	90.0/20454
MC112	32.0	22.0	14.3	62.5	64.3	6.0	112.0/25454	180.0/40908
MC224	43.0	31.0	20.3	83.0	85.5	8.0	224.0/50909	350.0/79544

*Q denotes the ultimate tensile strength after hardened

Conveyor chains (FV series)

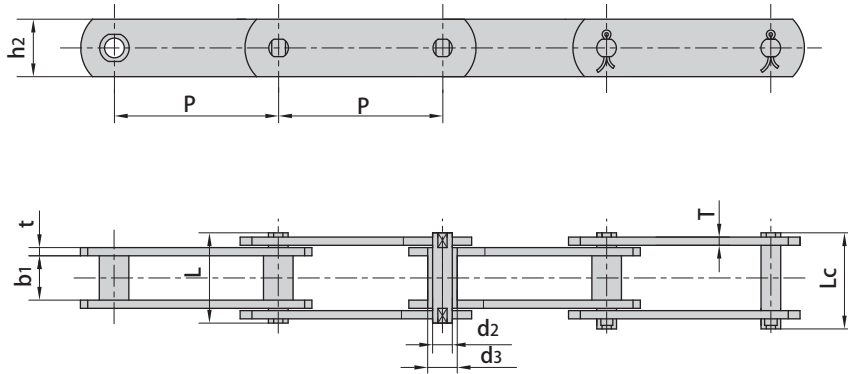


DIN Chain No.	Pitch							Roller dimension					Bush diameter
	P							d1 max	d4 max	d5 max	d6 max	G	d3 max
	mm	mm	mm	mm	mm	mm	mm	mm	mm	mm	mm	mm	
FV40	50.0	63.0	80.0	100.0	125.0	-	-	32.0	20.0	40.0	50.0	4.0	15.0
FV63	50.0	63.0	80.0	100.0	125.0	160.0	-	40.0	26.0	50.0	63.0	5.0	18.0
FV90	63.0	80.0	100.0	125.0	160.0	200.0	250.0	48.0	30.0	63.0	78.0	6.5	20.0
FV112	80.0	100.0	125.0	160.0	200.0	250.0	-	55.0	32.0	72.0	90.0	7.5	22.0
FV140	63.0	100.0	125.0	160.0	200.0	250.0	-	60.0	36.0	80.0	100.0	9.0	26.0
FV180	100.0	125.0	160.0	200.0	250.0	315.0	-	70.0	42.0	100.0	125.0	13.0	30.0
FV250	125.0	160.0	200.0	250.0	315.0	400.0	-	80.0	50.0	125.0	155.0	15.0	36.0
FV315	160.0	200.0	250.0	315.0	400.0	-	-	90.0	60.0	140.0	175.0	18.0	42.0

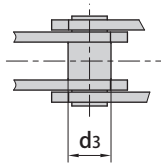
DIN Chain No.	Width between inner plates	pin diameter	Pin length		Plate depth	Plate thickness	Ultimate tensile strength	
	b1 min	d2 max	L min	Lc max	h2 max	T max	Q min	*Q min
	mm	mm	mm	mm	mm	mm	kN/lbf	kN/lbf
FV40	18.0	10.0	36.0	39.0	25.0	3.0	40.0/9091	47.0/10681
FV63	22.0	12.0	45.0	48.5	30.0	4.0	63.0/14317	75.0/17045
FV90	25.0	14.0	53.0	56.5	35.0	5.0	90.0/20453	115.0/26136
FV112	30.0	16.0	62.0	66.0	40.0	6.0	112.0/25452	170.0/38636
FV140	35.0	18.0	67.0	71.5	45.0	6.0	140.0/31815	180.0/40908
FV180	45.0	20.0	86.0	92.0	50.0	8.0	180.0/40908	250.0/56817
FV250	55.0	26.0	97.0	103.5	60.0	8.0	250.0/56817	300.0/68181
FV315	65.0	30.0	113.0	126.5	70.0	10.0	315.0/71591	480.0/109089

*Q denotes the ultimate tensile strength after hardened

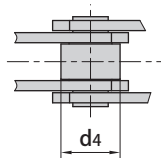
Conveyor chains (FV series)



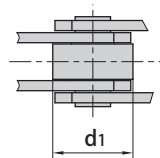
without rollers



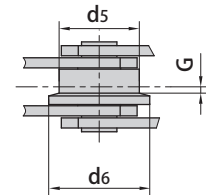
with S small rollers type



with P large rollers type

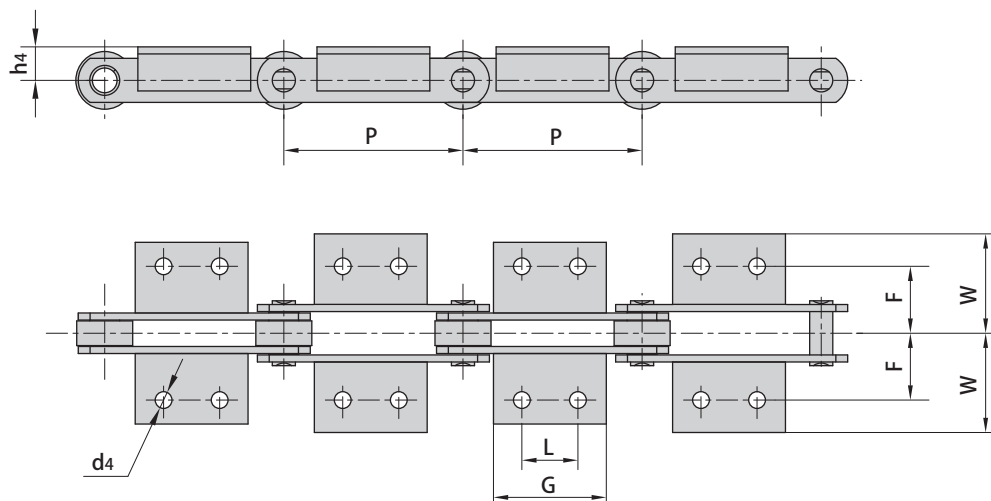


with F flanged rollers type



Donghua Chain No.	Pitch	Roller diameter			Pin diameter	Pin length		Plate depth	Plate thickness	Ultimate tensile strength	Weight per meter
	p	d1 max	d3 max	d4 max	d2 max	L min	Lc min	h2 max	t/T max	Q min	q
	mm	mm	mm	mm	mm	mm	mm	mm	mm	kN/lbf	kg/m
FV40F3-P-63	63.0	32.0	-	-	10.0	38.1	41.5	45.0	4.0	80.0/17985	2.13
FV90F9-B-100	100.0	-	20.0	-	14.0	60.2	64.6	35.0	6.0/8.0	90.0/20453	6.00
FV90F10-B-100	100.0	-	20.0	-	14.0	60.2	64.6	40.0	6.0/8.0	90.0/20453	6.83
FV140-PF1-125	125.0	65.0	-	-	18.0	67.0	71.5	45.0	6.0	140.0/31473	12.76

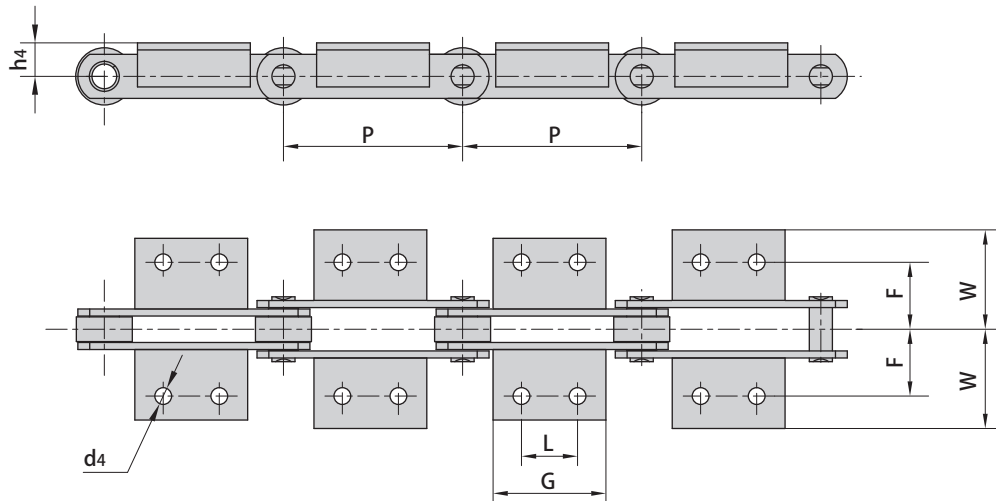
Conveyor chains with attachments (FV series)



DIN Chain No.	P	L	G	d4	F	W	h4
	mm	mm	mm	mm	mm	mm	mm
FV40	50.0	△	45.0	6.5	25.0	40.5	20.0
	63.0	△	31.0				
	80.0	25.0	45.0				
	100.0	30.0	50.0				
	125.0	30.0	60.0				
FV63	63.0	△	40.0	8.4	34.0	50.0	30.0
	80.0	25.0	45.0				
	100.0	30.0	50.0				
	125.0	40.0	60.0				
	160.0	50.0	70.0				
FV90	63.0	△	30.0	8.4	40.0	64.0	35.0
	80.0	25.0	45.0				
	100.0	30.0	50.0				
	125.0	40.0	60.0				
	160.0	50.0	70.0				
	200.0	60.0	80.0				
	250.0	65.0	85.0				
FV112	100.0	30.0	50.0	11.0	50.0	70.0	40.0
	125.0	40.0	65.0				
	160.0	50.0	75.0				
	200.0	65.0	90.0				
	250.0	80.0	105.0				

△Attachments with 1 hole

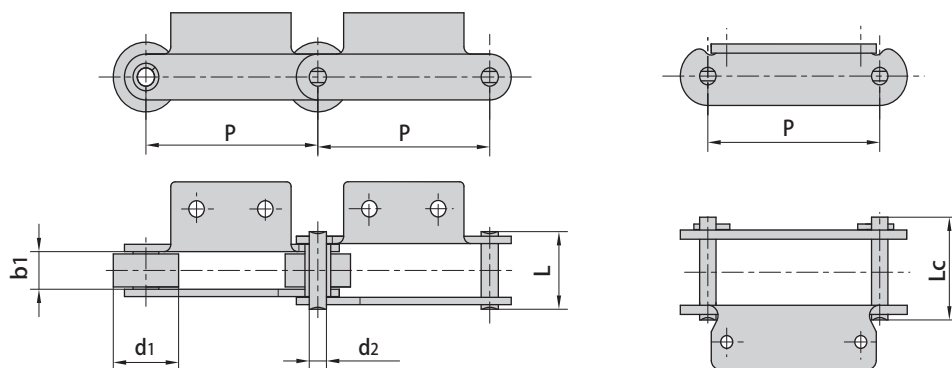
Conveyor chains with attachments (FV series)



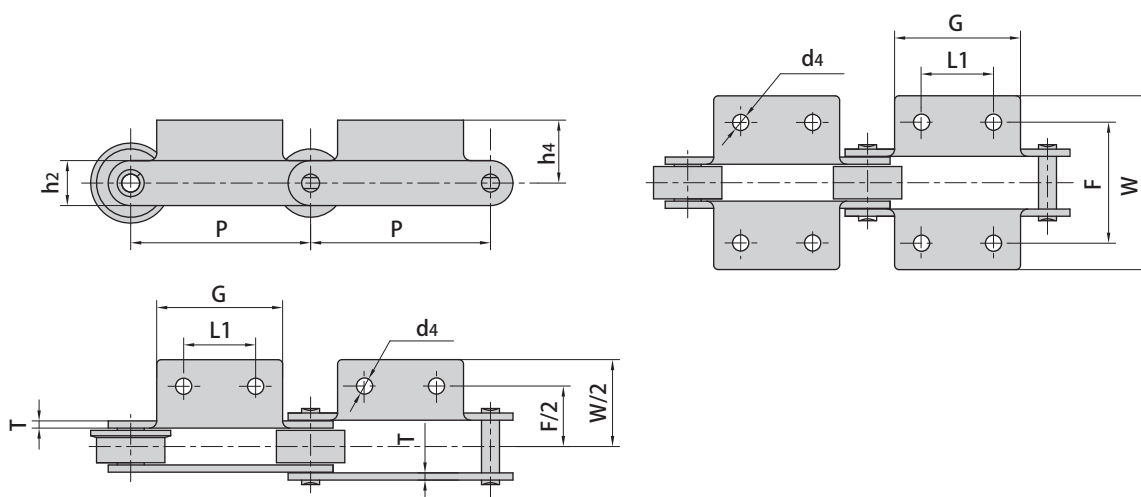
DIN Chain No.	P	L	G	d ₄	F	W	h ₄
	mm	mm	mm	mm	mm	mm	mm
FV140	100.0	30.0	55.0	11.0	50.0	81.0	45.0
	125.0	40.0	65.0				
	160.0	50.0	75.0				
	200.0	65.0	90.0				
	250.0	80.0	105.0				
FV180	125.0	35.0	63.0	13.0	64.0	91.0	45.0
	160.0	50.0	80.0				
	200.0	65.0	95.0				
	250.0	80.0	110.0				
	315.0	100.0	130.0				
FV250	160.0	50.0	80.0	14.0	69.0	106.0	55.0
	200.0	65.0	95.0				
	250.0	80.0	110.0				
	315.0	100.0	130.0				
	400.0	100.0	130.0				
FV315	160.0	△	50.0	14.0	85.0	130.0	60.0
	200.0	65.0	95.0				
	250.0	80.0	110.0				
	315.0	100.0	130.0				
	400.0	100.0	130.0				

△Attachments with 1 hole

Conveyor chains with attachments (FV series)



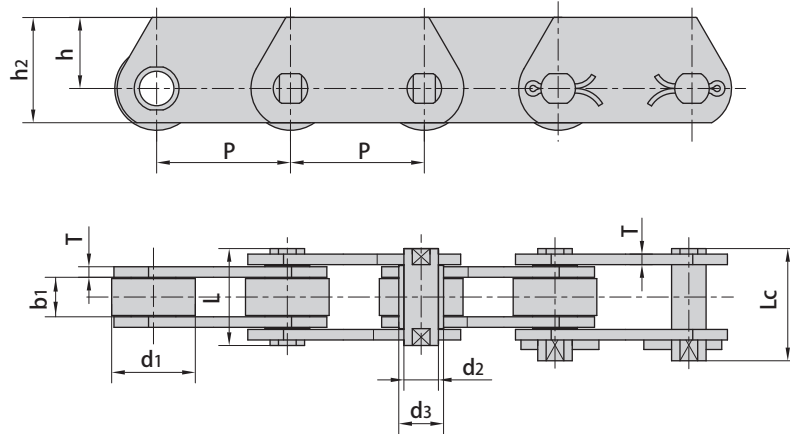
Donghua Chain No.	Pitch	Roller diameter	Width between inner plates	Pin diameter	Pin length		Ultimate tensile strength	Average tensile strength	Weight per meter
	P	d_1 max	b_1 min	d_2 max	L max	L_c max	Q_{min}	Q_0	q
	mm	mm	mm	mm	mm	mm	kN/lbf	kN	kg/m
FV40A2.02-P-40	40.00	32.00	18.00	10.00	36.0	40.0	40.0/8992	44.0	4.98
FV90A2F1-P-85	85.00	50.00	25.00	14.00	52.0	56.5	90.0/20250	100.0	10.15
FV90A2F1-P-100	100.00	50.00	25.00	14.00	52.0	56.5	90.0/20250	100.0	8.74
FV112F1A1-P-100	100.00	55.00	30.00	16.00	71.0	76.5	180.0/40492	200.0	14.30
FV112F1A1-P-80	80.00	55.00	30.00	16.00	71.0	76.5	180.0/40492	200.0	16.60



Donghua Chain No.	P	L_1	G	F	W	h_4	h_2	d_4	T
	mm	mm	mm	mm	mm	mm	mm	mm	mm
FV40A2.02-P-40	40.00	17.00	30.00	60.0	90.0	20.0	25.0	6.4	3.00
FV90A2F1-P-85	85.00	40.00	60.00	80.0	109.2	40.0	35.0	9.5	5.00
FV90A2F1-P-100	100.00	40.00	60.00	80.0	109.2	40.0	35.0	9.5	5.00
FV112F1A1-P-100	100.00	△	50.00	120.0	164.0	50.0	40.0	15.0	8.00
FV112F1A1-P-80	80.00	△	50.00	120.0	164.0	50.0	40.0	15.0	8.00

△Attachments with 1 hole

Conveyor chains (FVT series)

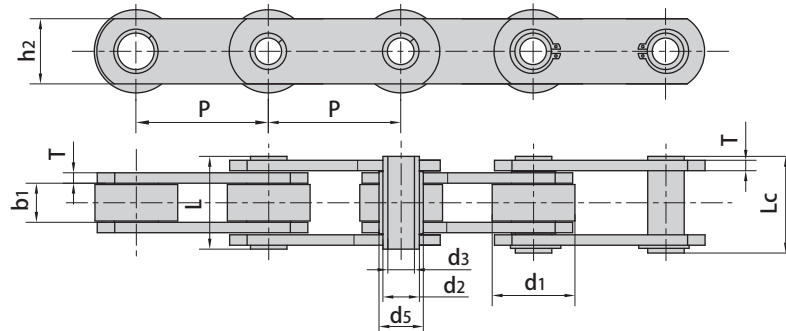


DIN Chain No.	Pitch							Roller diameter	Pin diameter	Bush diameter	Plate thickness
	P							d1	d2	d3	T
	mm							max mm	max mm	max mm	max mm
FVT40	50.0	63.0	80.0	100.0	125.0	-	-	32.0	10.0	15.0	3.0
FVT63	63.0	80.0	100.0	125.0	160.0	-	-	40.0	12.0	18.0	4.0
FVT90	63.0	80.0	100.0	125.0	160.0	200.0	250.0	48.0	14.0	20.0	5.0
FVT112	100.0	125.0	160.0	200.0	250.0	-	-	55.0	16.0	22.0	6.0
FVT140	100.0	125.0	160.0	200.0	250.0	-	-	60.0	18.0	25.0	6.0
FVT180	125.0	160.0	200.0	250.0	315.0	-	-	70.0	20.0	30.0	8.0
FVT250	160.0	200.0	250.0	315.0	-	-	-	80.0	26.0	36.0	8.0
FVT315	160.0	200.0	250.0	315.0	400.0	-	-	90.0	30.0	42.0	10.0

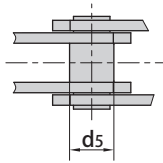
DIN Chain No.	Width between inner plates	Pin length		Plate depth		Ultimate tensile strength	
	b1 min mm	L max mm	Lc max mm	h2 max mm	h max mm	Q min kN/lbf	*Q min kN/lbf
FVT40	18.0	36.0	39.0	35.0	22.5	40.0/9091	47.0/10681
FVT63	22.0	45.0	48.5	40.0	25.0	63.0/14317	75.0/17045
FVT90	25.0	53.0	56.5	45.0	27.5	90.0/20453	115.0/26136
FVT112	30.0	62.0	66.0	50.0	30.0	112.0/25452	170.0/38636
FVT140	35.0	67.0	71.5	60.0	37.5	140.0/31815	180.0/40908
FVT180	45.0	86.0	92.0	70.0	45.0	180.0/40908	250.0/56817
FVT250	55.0	97.0	103.5	80.0	50.0	250.0/56817	300.0/68181
FVT315	65.0	113.0	126.5	90.0	55.0	315.0/71591	480.0/109089

*Q denotes the ultimate tensile strength after hardened

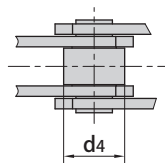
Hollow pin conveyor chains (FVC series)



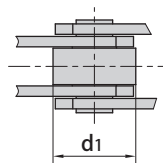
without rollers



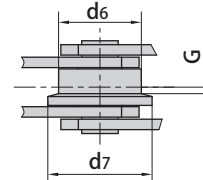
with S small rollers type



with P large rollers type



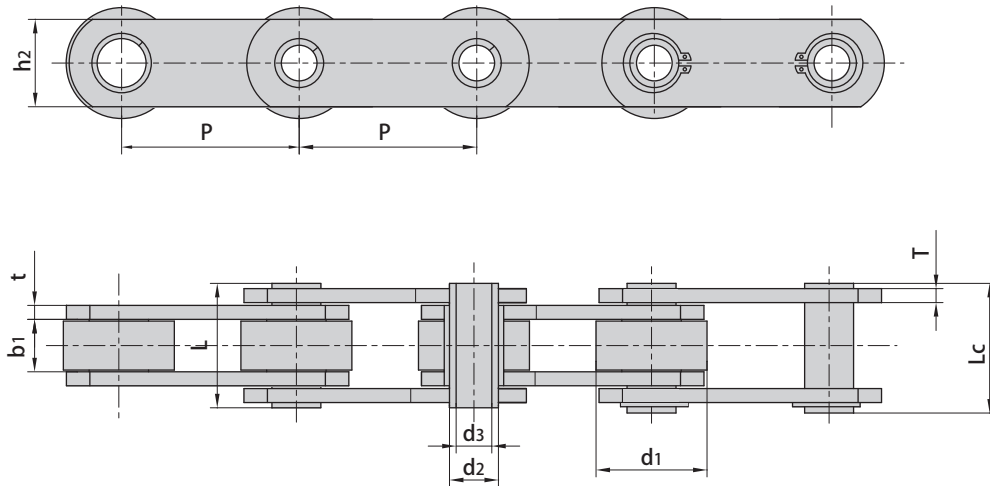
with F flanged rollers type



DIN Chain No.	Pitch							Roller dimension				
	P							d1 max	d4 max	d6 max	d7 max	G
	mm	mm	mm	mm	mm	mm	mm	mm	mm	mm	mm	
FVC63	63.0	80.0	100.0	125.0	160.0	-	-	40.0	26.0	50.0	63.0	5.0
FVC90	63.0	80.0	100.0	125.0	160.0	200.0	250.0	48.0	30.0	63.0	78.0	6.5
FVC112	100.0	125.0	160.0	200.0	250.0	-	-	55.0	32.0	72.0	90.0	7.5
FVC140	100.0	125.0	160.0	200.0	250.0	-	-	60.0	36.0	80.0	100.0	9.0
FVC180	125.0	160.0	200.0	250.0	315.0	-	-	70.0	42.0	100.0	125.0	13.0
FVC250	160.0	200.0	250.0	315.0	400.0	-	-	80.0	50.0	125.0	155.0	15.0
FVC315	160.0	200.0	250.0	315.0	400.0	-	-	90.0	60.0	140.0	175.0	18.0

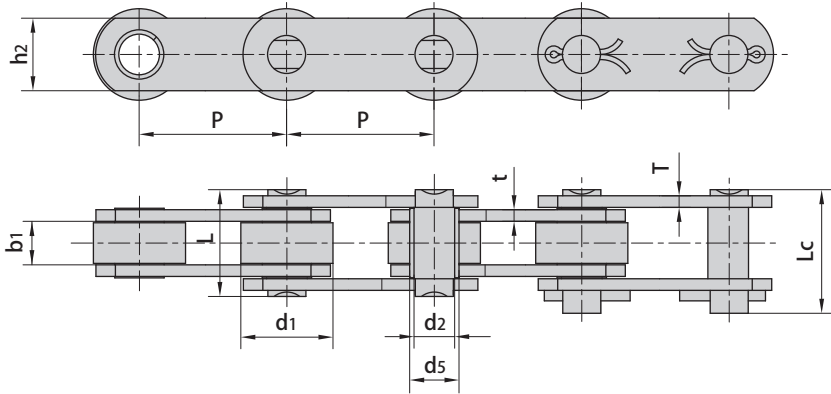
DIN Chain No.	Width between inner plates	Pin diameter		Bush diameter	Pin length		Plate thickness	Plate depth	Ultimate tensile strength
	b1 min mm	d2 max mm	d3 min mm	d5 max mm	L max mm	Lc max mm	T max mm	h2 max mm	Q min kN/lbf
FVC63	22.0	12.0	8.0	18.0	45.0	50.5	4.0	30.0	46.0/10454
FVC90	25.0	14.0	10.0	20.0	53.0	56.5	5.0	35.0	73.0/16590
FVC112	30.0	16.0	11.0	22.0	62.0	63.0	6.0	40.0	90.0/20454
FVC140	35.0	18.0	12.0	26.0	67.0	68.5	6.0	45.0	110.0/25000
FVC180	45.0	20.0	14.0	30.0	86.0	88.0	8.0	50.0	145.0/32954
FVC250	55.0	26.0	18.0	36.0	97.0	103.5	8.0	60.0	215.0/48863
FVC315	65.0	30.0	20.0	42.0	117.0	121.5	10.0	70.0	295.0/67044

Non-standard hollow pin conveyor chains

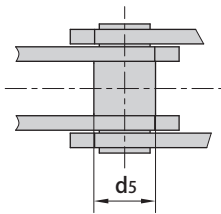


Donghua Chain No.	Pitch	Roller diameter	Width between inner plates	Pin diameter		Pin length		Inner plate depth	Plate thickness	Ultimate tensile strength	Average tensile strength	Weight per meter
	P	d1 max	b1 min	d2 max	d3 min	L max	Lc max	h2 max	t/T max	Q min	Q0	q
	mm	mm	mm	mm	mm	mm	mm	mm	mm	kN/lbf	kN	kg/m
MC18F1-P-40	40.00	22.00	9.00	9.00	6.20	23.00	24.50	18.0	2.5	21.0/4721	23.1	1.57
MC40-PF1-100	100.00	35.00	23.40	14.00	10.20	36.00	37.50	25.0	4.0	40.0/8992	44.0	2.79
MC40F11-P-50.8(a)	50.80	38.10	15.50	14.28	10.20	37.00	38.50	27.0	4.0	40.0/8992	44.0	5.00
MC40F21-P-50.8	50.80	38.10	15.50	14.28	9.70	37.00	-	27.0	4.0	50.0/11241	55.0	5.17
MC56F1-S-80	80.00	30.00	24.00	16.00	10.20	45.50	47.00	35.0	4.0	56.0/12600	62.0	4.64
MC56F1-P-80	80.00	50.00	24.00	16.00	10.20	45.50	47.00	35.0	4.0	56.0/12600	62.0	7.39
MC56F2-P-100	100.00	50.00	23.00	16.00	10.20	45.50	47.00	35.0	4.0	56.0/12600	62.0	6.27
MC60F7-P-152.4	152.40	47.50	19.00	19.00	12.50	45.00	46.50	40.0	5.0/4.0	120.0/27000	132.0	4.97
MC60F7-P-203.2	203.20	47.50	19.00	19.00	12.50	45.00	46.50	40.0	5.0/4.0	120.0/27000	132.0	4.43
MC60F10-P-127	127.00	47.50	19.00	19.00	13.20	42.00	44.00	40.0	5.0/4.0	60.0/13489	66.0	5.34
MC60F12-P-88.9	88.90	47.50	19.00	19.00	13.90	45.00	46.50	40.0	5.0/4.0	60.0/13489	66.0	6.38
MC112F1-P-100	100.00	70.00	32.00	22.00	16.30	67.00	68.50	50.0	6.0	112.0/25195	123.2	14.91
MC150F2-P-110	110.00	66.70	25.40	26.90	20.20	58.00	60.50	51.0	7.1/5.1	106.7/24003	118.0	13.50
MC300F1-F-254	254.00	95.00	38.00	46.00	36.00	95.00	97.00	75.0	13.0/8.0	392.0/88126	431.2	22.50
FVC63F1-B-40	40.00	18.00	22.00	12.00	8.20	47.50	49.00	35.0	5.0	46.0/10348	51.0	5.34
FVC63F2-B-50	50.00	17.00	22.00	12.00	8.20	41.00	42.00	25.0	3.0	30.0/6750	33.0	2.24
FVC63F3-P-63	63.00	40.00	22.00	11.70	8.10	44.00	46.00	30.0	4.0	46.0/10348	51.0	5.83
FVC90F1-P-63	63.00	42.00	25.00	14.00	10.20	52.00	53.50	35.0	5.0	73.0/16422	80.0	5.33
FVC112F2-P-100	100.00	95.00	30.00	17.00	11.20	60.20	61.50	40.0	6.0	130.0/29225	143.0	9.69
FVC140F1-B-80	80.00	26.00	35.00	18.00	12.50	65.00	67.0	46.0	6.0	110.0/24745	120.0	7.80

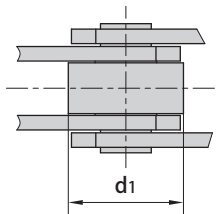
Conveyor chains (Z series)



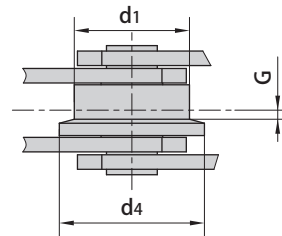
without rollers



with P large rollers type



with F flanged rollers type

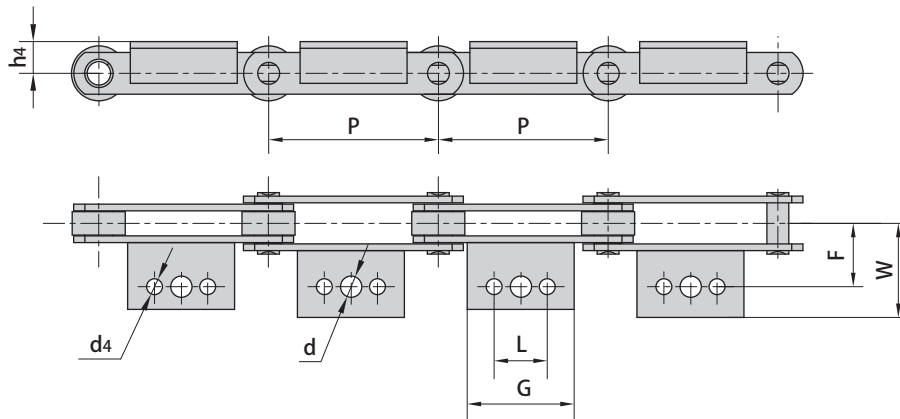


Donghua Chain No.	Pitch							Roller dimension			Bush diameter
	P							d1 max	d4 max	G	d5 max
	mm							mm	mm	mm	mm
Z40	50.8	63.5	76.2	88.9	101.6	127.0	152.4	31.75	40.0	2.5	17.0
Z100	76.2	88.9	101.6	127.0	152.4	177.8	203.2	47.50	60.0	3.5	23.0
Z160	101.6	127.0	152.4	177.8	203.2	228.6	254.0	66.70	82.0	3.5	33.0
Z300	152.4	177.8	203.2	254.0	304.8	-	-	88.90	114.0	8.5	38.0

Donghua Chain No.	Width between inner plates	Pin diameter	Plate depth	Pin length		Plate thickness	Breaking load	
	b1 min	d2 max	h2 max	L max	Lc max	t/T max	Q min	*Q min
	mm	mm	mm	mm	mm	mm	kN/lbf	kN/lbf
Z40	15.0	14.0	25.0	37.0	40.5	4.0	40.0/9091	50.0/11362
Z100	19.0	19.0	40.0	45.0	50.5	5.0/4.0	100.0/22725	130.0/29540
Z160	26.0	26.9	50.0	58.0	63.5	7.0/5.0	156.0/35451	200.0/45454
Z300	38.0	32.0	60.0	84.0	94.0	10.0/8.0	300.0/68175	380.0/86362

*Q denotes the ultimate tensile strength after hardened

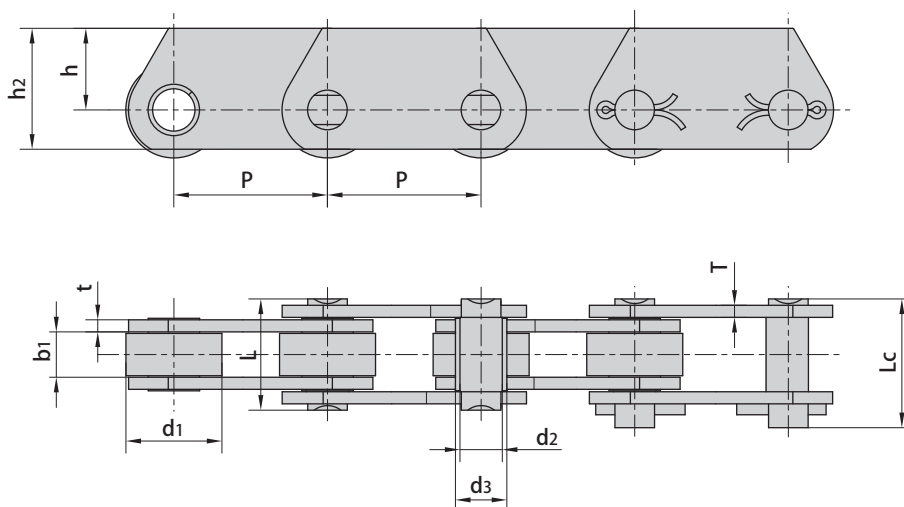
Conveyor chains with attachments (Z series)



Donghua Chain No.		P	L	G	d	d4	F	W	h4	
		mm	mm	mm	mm	mm	mm	mm	mm	
Z40	△	50.8	-	45.0	10.7	9.3	38.1	64.5	19.0	
	△ ☆	63.5	22.2	43.0				56.0		
	△ ☆	76.2						68.0		
	▲	88.9	31.8	50.0				56.0		
	▲	101.6						55.0		
	▲	127.0						57.2		84.0
▲	152.4									
Z100	△	76.2	-	30.0	14.0	10.5	44.5	65.0	32.0	
	△	88.9								
	▲	101.6	31.8	64.0						
	△ ☆	127.0	57.2	84.0						
	▲	152.4								114.5
	△ ☆	177.8	80.0	110.0						
△ ☆	203.2									
Z160	△	101.6	-	35.0	15.5	12.3	54.0	77.0	38.0	
	△ ☆	127.0								31.7
	△ ☆	152.4	57.2	84.0						
	△ ☆	177.8								
	△ ☆	203.2	100.0	130.0						
	△ ☆	228.6								150.0
	△ ☆	254.0								170.0
Z300	△	152.4	38.1	70.0	17.0	14.0	73.0	100.0	51.0	
	△	177.8								
	△ ☆	203.2	76.2	100.0						
	△ ☆	254.0	90.0	152.4						
	△ ☆	304.8	190.0	225.0						

△ Attachments with 1 hole
 ☆ Attachments with 2 holes
 ▲ Attachments with 3 holes

Conveyor chains (ZE series)

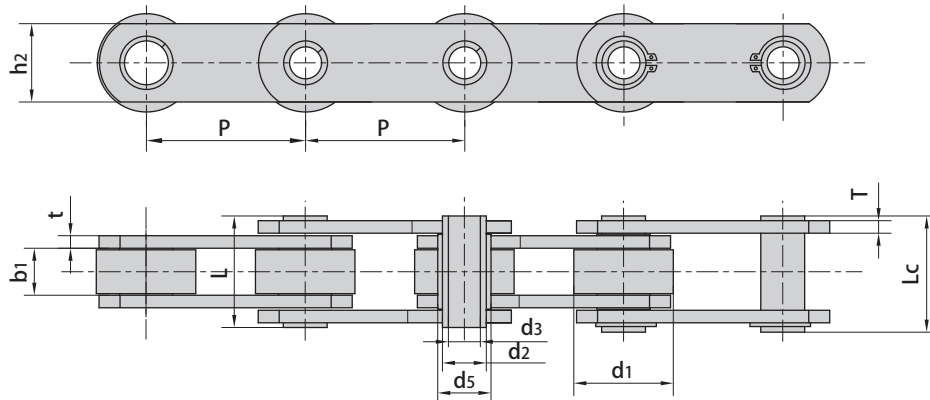


Donghua Chain No.	Pitch							Roller diameter	Pin diameter	Bush diameter
	P							d1 max	d2 max	d3 max
	mm							mm	mm	mm
ZE40	50.8	63.5	76.2	88.9	101.6	127.0	152.4	31.75	14.0	17.0
ZE100	76.2	88.9	101.6	127.0	152.4	177.8	203.2	47.50	19.0	23.0
ZE160	101.6	127.0	152.4	177.8	203.2	228.6	254.0	66.70	26.9	33.0
ZE300	152.4	177.8	203.2	254.0	304.8	-	-	88.90	32.0	38.0

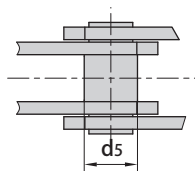
Donghua Chain No.	Width between inner plates	Pin length		Plate depth		Plate thickness	Breaking load	
	b1 min	L max	Lc max	h2 max	h max	t/T max	Q min	*Q min
	mm	mm	mm	mm	mm	mm	kN/lbf	kN/lbf
ZE40	15.0	37.0	40.5	40.0	27.0	4.0	40.0/9091	60.0/13636
ZE100	19.0	45.0	50.5	50.0	30.0	5.0/4.0	100.0/22725	160.0/36360
ZE160	26.0	58.0	63.5	70.0	45.0	7.0/5.0	160.0/36360	200.0/45454
ZE300	38.0	84.0	94.0	90.0	60.0	10.0/8.0	300.0/68175	380.0/86362

*Q denotes the ultimate tensile strength after hardened

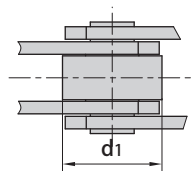
Hollow pin conveyor chains (ZC series)



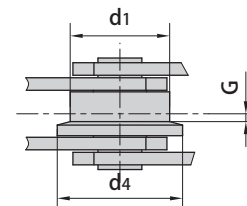
without rollers



With P large rollers type



with F langed rollers type

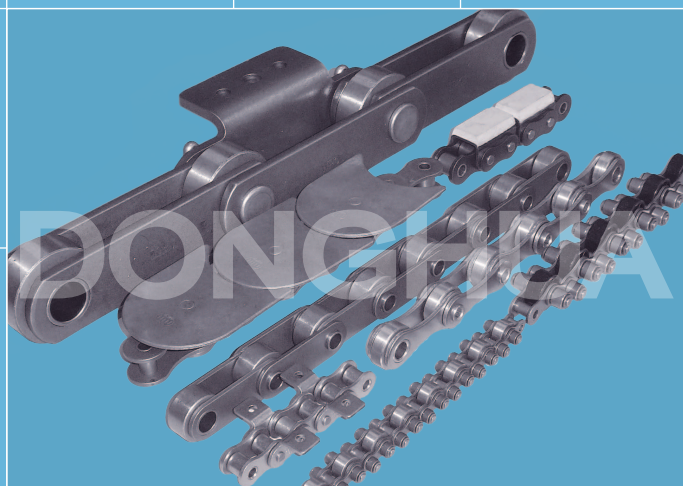


Donghua Chain No.	Pitch							Roller dimension			Bush diameter	Plate depth
	P							d1 max	d4 max	G	d5 max	h2 max
	mm							mm	mm	mm	mm	mm
ZC21	38.1	50.8	63.5	76.2	-	-	-	25.40	-	-	11.0	18.0
ZC40	50.8	63.5	76.2	88.9	101.6	127.0	152.4	31.75	40.0	2.5	17.0	25.0
ZC60	76.2	88.9	101.6	127.0	152.4	177.8	203.2	47.50	60.0	3.5	23.0	40.0
ZC150	101.6	127.0	152.4	177.8	203.2	228.6	254.0	66.70	82.0	4.0	33.0	50.0
ZC300	152.4	177.8	203.2	254.0	304.8	-	-	88.90	114.0	8.5	38.0	60.0

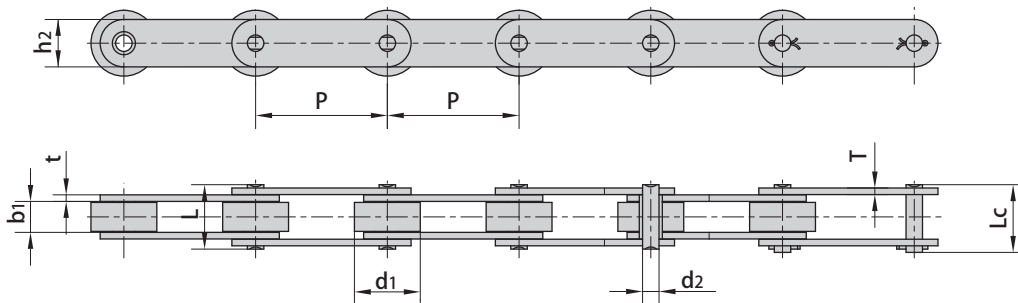
Donghua Chain No.	Width between inner plates	Pin diameter		Pin length		Plate thickness	Breaking load	
	b1 min mm	d2 max mm	d3 min mm	L max mm	Lc max mm	t/T max mm	Q min kN/lbf	*Q min kN/lbf
ZC21	12.7	9.0	6.5	26.0	27.5	2.5	21.0/4772	27.1/6159
ZC40	15.0	14.0	10.2	36.4	37.7	4.0	40.0/9091	50.0/11362
ZC60	19.0	19.0	13.2	45.0	46.5	5.0/4.0	60.0/13636	120.0/27270
ZC150	26.0	26.9	20.2	58.0	60.5	7.0/5.0	150.0/34087	190.0/43177
ZC300	38.0	32.0	22.5	83.0	85.0	10.0/8.0	300.0/68175	380.0/86362

*Q denotes the ultimate tensile strength after hardened

VARIOUS CONVEYOR CHAINS

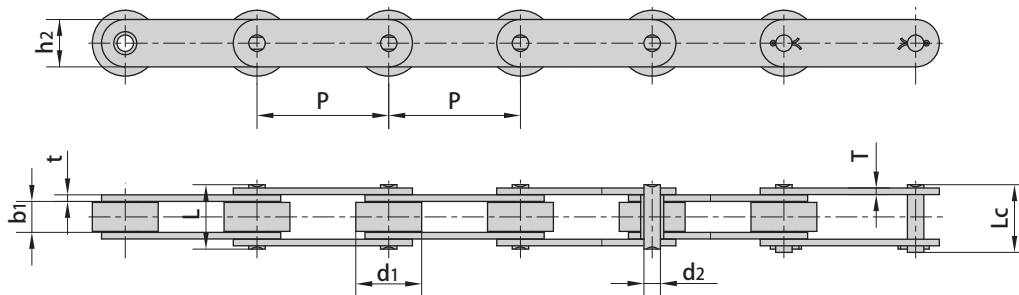


Conveyor chains



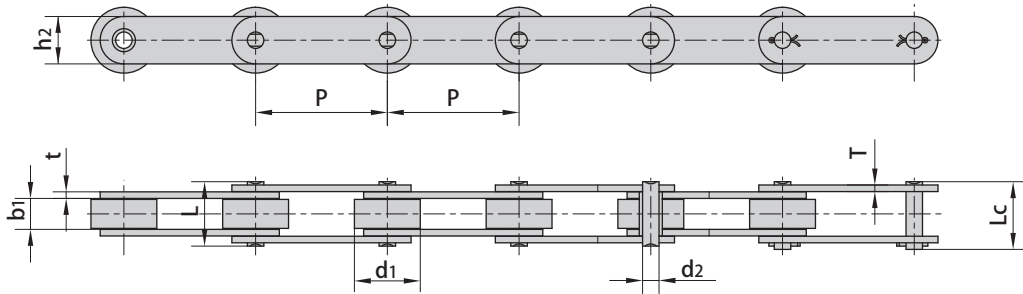
Donghua Chain No.	Pitch	Roller diameter	Width between inner plates	Pin diameter	Pin length		Inner plate depth	Plate thickness	Ultimate tensile strength	Average tensile strength	Weight per meter
	P	d1 max	b1 min	d2 max	L max	Lc max	h2 max	t/T max	Q min	Q0	q
	mm	mm	mm	mm	mm	mm	mm	mm	kN/lbf	kN	kg/m
P15.875	15.875	12.70	11.00	3.66	18.70	19.90	8.00	0.60	3.0/674	3.3	0.80
P19.05F1	19.050	11.91	9.90	5.72	26.00	28.60	17.00	3.00	30.0/6744	33.0	1.84
P19.05F2	19.050	14.25	13.00	7.80	33.20	36.20	19.40	4.00/3.70	40.0/8992	44.0	2.92
P19.05F5	19.050	14.20	12.70	7.10	29.50	31.70	19.00	3.25	30.0/6744	33.0	2.47
P19.05F6	19.050	14.24	12.72	7.80	31.50	31.50	18.80	4.00/3.10	58.8/13218	64.7	2.67
P20F1	20.000	12.00	16.00	6.00	32.10	34.50	18.00	3.00	35.5/7986	39.1	2.11
P22	22.000	14.00	14.00	8.00	37.00	40.00	40.00	5.00/4.00	40.0/8992	44.0	4.10
P25F4	25.000	15.00	18.00	7.00	34.50	37.50	21.00	3.00	45.0/10116	49.5	2.55
P25F5	25.000	15.88	17.02	8.28	36.10	-	21.00	4.15/3.10	60.0/13488	69.0	2.84
P25.4F5	25.400	14.00	12.70	7.50	30.00	33.00	22.50	3.50/3.00	50.0/11240	55.0	2.47
P25.4F8	25.400	12.70	12.70	7.00	28.50	30.50	20.80	3.00	45.0/10116	49.5	1.89
P25.4F9	25.400	14.00	12.70	7.00	28.50	30.50	19.70	3.00	45.0/10116	49.5	1.88
P25.4F10	25.400	12.00	11.00	5.72	25.80	27.50	17.00	2.60	22.4/5035	25.0	1.66
P30	30.000	15.88	17.02	8.28	35.60	38.70	20.00	3.50/3.00	60.0/13488	66.0	2.35
P30F1	30.000	15.88	9.70	8.28	24.80	65.50	22.00	3.10/2.50	45.0/10116	49.5	1.87
P30F7	30.000	15.88	20.00	8.28	39.00	42.50	21.50	4.00/3.25	40.0/8992	44.0	2.72
P30F10	30.000	16.00	20.10	8.28	39.00	42.70	21.20	4.00/3.40	60.0/13488	69.0	2.72
P31.75F12	31.750	19.05	13.00	7.92	29.60	33.40	18.00	3.00	33.8/7598	37.0	2.20
P35F4	35.000	18.00	18.00	8.28	35.40	38.30	24.00	3.00	60.0/13488	66.0	2.51
P35F7	35.000	22.00	22.00	11.00	45.00	50.30	31.00	4.50	84.0/18883	92.4	4.82
P38.1F11	38.110	25.40	21.50	12.00	40.00	43.90	35.00	3.00	70.0/15736	77.0	5.18
P38.1F17	38.100	25.40	23.00	12.00	41.50	46.00	35.00	3.00	70.0/15736	77.0	5.25
P38.1F19	38.100	25.40	22.00	12.00	40.00	43.90	35.00	3.00	70.0/15736	77.0	5.18
P40F9	40.000	18.00	22.00	12.00	47.80	52.50	35.00	5.00	120.0/26977	132.0	5.90
P41F1	41.000	19.05	26.90	10.19	44.10	48.50	27.00	3.00	50.0/11240	55.0	2.87
P41.3F6	41.300	16.00	10.00	9.00	27.00	30.00	21.00	3.00	40.0/8992	44.0	1.80
P41.3F4	41.300	16.00	12.00	9.00	26.30	29.80	22.00	2.00	45.0/10116	49.5	1.72
P41.3F11	41.300	16.00	10.00	9.00	26.00	29.50	21.00	3.00	40.0/8992	44.0	1.79
P41.3F12	41.300	16.00	7.80	9.00	21.00	24.00	21.00	2.03	26.7/6002	29.4	1.29
P41.3F13	41.300	16.00	16.00	9.00	33.00	36.50	21.00	3.00	40.0/8992	44.0	2.00
P41.4F2	41.400	15.88	20.40	9.00	38.00	41.50	26.00	3.00	50.0/11240	55.0	2.29
P42	42.010	22.23	25.40	11.10	-	55.25	28.50	4.80	100.0/22496	110.0	5.36
P42F1	42.010	22.23	25.40	11.10	50.30	54.30	28.50	4.80	90.0/20232	99.0	5.26
P42F9	42.010	22.35	25.40	11.10	-	57.90	28.50	4.80	90.0/20232	100.0	5.78

Conveyor chains



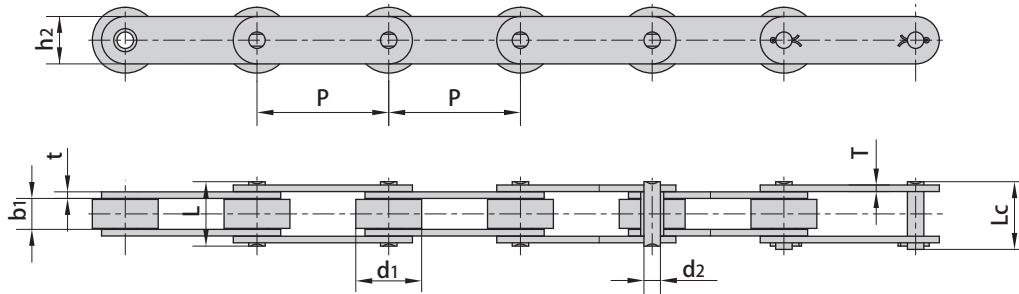
Donghua Chain No.	Pitch	Roller diameter	Width between inner plates	Pin diameter	Pin length		Inner plate depth	Plate thickness	Ultimate tensile strength	Average tensile strength	Weight per meter
	P	d ₁ max	b ₁ min	d ₂ max	L max	L _c max	h ₂ max	t/T max	Q min	Q ₀	q
	mm	mm	mm	mm	mm	mm	mm	mm	kN/lbf	kN	kg/m
P42F10	42.01	22.23	25.40	11.10	-	55.25	28.50	4.80	99.0/22256	110.0	5.50
P44F1	44.00	25.30	25.00	15.90	86.00	88.00	38.00	10.00	250.0/56202	275.0	8.77
P44.45F1	44.45	22.23	24.70	11.10	62.00	65.50	32.00	6.70	110.0/24728	121.0	7.30
P44.45	44.45	22.23	12.57	5.94	25.90	27.70	18.00	2.42	31.8/7148	35.0	1.73
P45F4	45.00	19.05	19.56	9.53	41.20	45.50	30.00	4.00	75.0/16860	82.5	3.93
P49.8	49.80	28.58	31.55	14.27	64.80	69.60	47.80	6.40	222.4/49997	244.6	10.39
P50	50.00	25.40	25.40	14.63	54.30	57.80	40.00	5.00	100.0/22480	110.0	7.50
P50F1	50.00	29.21	30.99	17.81	-	66.00	42.20	7.00	210.0/47726	231.0	9.68
P50F7	50.00	24.00	20.00	12.00	51.20	55.50	30.00	6.00	49.0/11023	54.0	5.65
P50F11	50.00	19.05	19.56	10.19	41.30	45.00	28.00	4.50/4.00	95.0/21371	104.5	3.60
P50F2	50.00	31.00	14.50	13.20	33.30	37.00	25.00	3.10	44.0/9891	48.4	3.47
P50F14	50.00	24.00	20.00	12.00	43.00	47.50	30.00	4.00	65.0/14612	71.5	5.08
P50F15	50.00	28.58	31.55	14.27	64.80	69.60	47.80	6.40	222.4/49997	244.6	10.38
P50F3	50.00	31.00	15.00	9.53	35.40	38.65	25.00	4.00	83.0/18659	91.3	4.12
P50F21	50.00	25.40	25.40	14.63	54.00	58.00	40.00	5.00	120.0/26977	132.0	7.35
P50F26	50.00	25.00	15.75	7.92	32.70	36.50	22.00	3.30	56.7/12746	62.0	2.50
P50.8F1	50.80	30.00	10.00	11.70	30.20	34.50	26.04	4.00	85.0/19108	93.5	3.60
P50.8F31	50.80	31.75	12.70	9.53	31.00	33.50	25.40	3.30	60.0/13488	66.0	3.35
P63F20	63.00	11.91	12.57	5.94	28.20	31.00	20.00	3.00	31.1/6991	34.2	2.43
P63.5	63.50	19.05	18.90	9.53	44.60	47.20	28.60	5.00	86.7/19704	95.4	3.77
P63.5F12	63.50	31.80	15.25	14.00	38.00	39.50	26.00	4.00	45.0/10116	49.5	4.03
P69F1	69.85	15.88	17.02	8.28	36.70	39.70	20.60	4.00/3.25	60.8/13668	66.9	1.50
P69F3	69.00	15.88	17.00	8.28	35.20	38.50	20.60	4.00/3.25	60.8/13668	66.9	1.50
P69.85F1	69.85	31.75	25.40	14.27	66.40	73.50	34.93	7.90	170.0/38243	187.0	8.76
P75F8-G-2	75.00	31.80	16.10	8.00	40.00	40.00	22.00	3.20	60.8/13668	66.9	2.43
P76.2F2	76.20	50.00	26.00	24.00	69.60	74.70	59.50	8.00	350.0/79544	385.0	19.00
P76.2F10	76.20	11.91	11.00	5.94	28.00	30.40	18.50	3.25	31.8/7148	35.0	1.30
P76.2F14	76.20	38.10	25.40	11.10	50.90	55.00	28.60	4.80	85.0/19108	94.0	5.80
P76.2F25	76.20	43.18	49.28	23.90	130.00	130.00	60.45	14.20	697.0/156691	766.7	32.30
P76.2F35	76.20	12.07	13.00	8.10	24.50	26.50	18.00	1.85	29.0/6519	31.9	0.77
P76.2F38	76.20	40.00	25.40	14.70	57.50	62.00	36.00	6.00	116.0/26077	127.0	8.00
P78.11F11	78.11	31.75	31.75	15.88	86.50	86.50	38.10	9.53	161.6/36329	177.8	11.34
P80F1	80.00	42.00	24.00	15.00	55.00	60.00	60.00	6.00	250.0/56202	275.0	11.90
P80F5	80.00	28.00	34.00	16.00	68.00	72.00	45.00	5.00/8.00	190.0/43181	209.0	8.80

Conveyor chains



Donghua Chain No.	Pitch	Roller diameter	Width between inner plates	Pin diameter	Pin length		Inner plate depth	Plate thickness	Ultimate tensile strength	Average tensile strength	Weight per meter
	P	d1 max	b1 min	d2 max	L max	Lc max	h2 max	t/T max	Q min	Q0	q
	mm	mm	mm	mm	mm	mm	mm	mm	kN/lbf	kN	kg/m
P80F6	80.00	30.00	32.00	15.00	58.6	62.6	60.0	5.00	98.0/22272	108.0	9.75
P80F10	80.00	42.00	22.00	15.00	53.0	58.0	60.0	6.00	250.0/56202	275.0	11.40
P80F37	80.00	26.00	25.00	14.00	59.3	59.3	35.0	6.00/5.00	155.0/34845	170.5	5.72
P80F35	80.00	42.00	23.00	16.00	56.0	61.5	60.0	6.00	160.0/35969	176.0	11.50
P100H	100.00	20.00	28.00	14.00	-	62.0	40.0	5.00	103.0/23170	113.3	4.99
P100F7	100.00	29.00	30.00	14.50	-	71.0	38.1	6.00	95.0/21356	104.5	6.72
P100F25	100.00	25.40	31.50	14.00	62.6	77.5	38.1	6.00	95.0/21356	104.5	6.17
P100F52	100.00	38.00	18.00	9.53	47.0	49.3	32.0	5.00	86.7/19504	95.3	4.67
P100F53	100.00	52.00	21.00	14.00	46.0	51.0	40.0	5.00/4.00	110.0/24728	121.0	7.45
P100F56	100.00	35.00	13.50	10.00	-	46.0	30.0	5.00	70.0/15736	77.0	3.98
P100F77	100.00	38.00	17.50	11.30	48.0	48.0	32.0	4.50	65.0/14612	71.5	4.42
P100F84	100.00	38.00	22.00	9.50	57.5	57.5	35.0	6.00	70.0/15736	77.0	6.27
P100F92	100.00	60.00	38.00	20.00	81.0	94.0	47.0	8.00	220.0/49457	242.0	16.9
P100F111	100.00	29.00	30.00	14.50	71.0	71.0	38.1	6.00	95.0/21356	104.5	6.75
P100F122	100.00	38.00	17.50	11.30	41.8	45.9	32.0	4.50	65.0/14612	71.5	4.33
P100F114	100.00	40.00	23.00	12.00	-	56.0	32.0	6.00	100.0/22480	115.0	5.96
P100F125	100.00	22.20	22.00	11.30	54.5	58.0	32.0	6.00	110.0/24728	121.0	4.45
P100F161-S	100.00	30.00	31.60	15.90	-	80.0	38.1	8.00	130.0/29225	143.0	8.50
P100F166	100.00	25.00	30.00	14.50	-	71.0	38.1	6.00	95.0/21356	105.0	6.36
P101.6F4	101.60	66.70	25.40	26.90	59.2	80.0	51.0	7.10/5.10	134.0/30454	147.4	15.70
P101.6F18	101.60	31.75	15.00	10.00	37.0	41.0	25.0	4.00	40.0/8992	44.0	2.79
P101.6F24	101.60	47.60	22.20	11.11	47.8	52.2	32.0	4.50	75.0/16872	82.5	5.80
P101.6F46	101.60	50.80	29.40	17.50	72.0	77.0	44.5	7.90	177.9/40013	197.4	12.56
P101.6F71	101.60	38.10	25.40	11.10	51.1	55.2	28.7	4.80	52.5/11810	57.8	4.95
P101.6F73	101.60	47.60	19.10	19.00	53.6	58.0	38.1	6.00	66.7/15000	73.4	7.52
P101.6F51	101.60	44.45	28.70	11.10	54.5	60.8	28.7	4.80	53.7/12080	59.0	6.17
P101.6F69	101.60	38.10	23.80	12.70	-	65.1	33.0	6.40	100.0/22480	110.8	6.50
P101.6F80-S	101.60	30.00	31.60	15.90	-	80.0	38.1	8.00	130.0/29225	150.0	7.20
P101.6F106	101.60	57.15	55.80	30.16	-	136.0	86.0	14.00	1100.0/247289	1255.0	46.00
P103.2F3	103.20	44.45	49.00	27.94	-	132.0	60.0	14.30	700.0/157366	770.0	27.88
P103.45	103.45	45.21	32.51	23.88	99.0	109.0	63.5	12.70	500.0/112480	535.0	25.00
P103.89	103.89	66.68	57.15	33.32	-	148.0	88.9	15.88	500.0/112480	550.0	55.83
P125F1	125.00	50.00	55.00	26.00	-	110.0	60.0	8.00	300.0/68181	330.0	13.53
P125F2H	125.00	32.00	18.50	8.00	-	43.0	20.0	4.00	60.0/13488	66.0	2.65

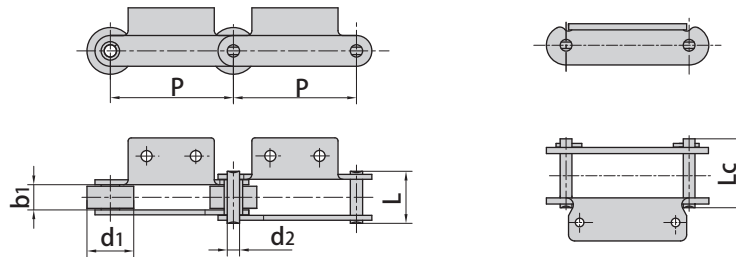
Conveyor chains



Donghua Chain No.	Pitch	Roller diameter	Width between inner plates	Pin diameter	Pin length		Inner plate depth	Plate thickness	Ultimate tensile strength	Average tensile strength	Weight per meter
	P	d1 max	b1 min	d2 max	L max	Lc max	h2 max	t/T max	Q min	Q0	q
	mm	mm	mm	mm	mm	mm	mm	mm	kN/lbf	kN	kg/m
P127F1	127.0	76.20	76.20	38.10	-	186.50	101.60	19.30	1690.0/380178	1860.0	73.85
P150F10	150.0	29.00	30.00	14.00	-	71.00	40.00	6.00	180.0/40492	198.0	5.71
P150F15	150.0	46.00	70.00	18.00	-	133.00	54.00	10.00	200.0/44961	220.0	17.25
RF10150-S	150.0	29.00	30.00	14.50	-	69.00	38.10	6.30	102.5/23295	112.7	6.00
P150F43	150.0	22.20	22.00	11.10	-	57.40	31.80	6.00	100.0/22480	115.0	4.10
P150F44	150.0	46.00	60.00	26.00	-	127.00	60.00	10.00	360.0/80931	415.0	18.45
P150F76	150.0	22.20	25.00	11.10	-	55.80	31.80	4.80	100.0/22480	115.0	3.43
P150F79	150.0	46.00	70.00	26.00	-	133.00	60.00	10.00	360.0/80931	414.0	19.00
P150.5	150.5	38.12	40.81	16.02	83.5	88.00	44.23	8.50	250.0/56817	275.0	10.00
P152F5	152.4	66.70	25.40	26.90	59.2	80.00	50.00	7.10/5.10	134.0/30454	147.4	12.10
P152F10	152.4	57.20	37.10	15.90	76.8	87.00	44.50	7.90	190.0/43181	209.0	11.29
P152F28	152.4	88.90	38.00	31.80	82.0	89.00	61.00	8.90/7.60	200.0/44961	220.0	23.30
P152F35	152.4	88.90	38.00	23.00	82.0	87.05	61.00	8.90/7.60	266.7/60000	293.4	22.65
P152F37	152.4	66.70	25.40	26.92	64.0	83.50	50.80	7.80/6.50	120.0/27000	132.0	12.22
P152F39	152.4	47.60	19.00	19.00	53.6	58.00	38.10	6.30	120.0/27000	132.0	6.26
P152F49	152.4	63.50	34.00	15.60	-	82.00	65.00	8.00	160.0/35993	176.0	16.30
P152F67	152.4	88.90	101.00	47.63	-	228.70	114.30	22.00	1350.0/303696	1445.0	101.30
P152F42	152.4	63.50	34.90	19.00	-	93.00	50.80	9.50	152.0/34194	168.9	15.80
P152F100	152.4	69.90	38.80	19.00	-	95.50	50.80	9.50	152.0/34194	168.9	17.76
P152F52-BRSS	152.4	50.80	28.50	11.10	-	66.60	31.80	6.40	70.0/15736	80.0	6.70
P152F136	152.4	36.00	37.00	18.00	-	79.50	50.00	8.00	280.0/62946	308.0	10.00
*P154F1	154.0	44.45	85.60	28.60	-	150.00	80.00	12.50	500.0/112480	550.0	31.00
P160F15	160.0	64.00	37.00	15.00	-	100.40	45.00	8.50	160.0/35993	176.0	13.10
P160F16	160.0	69.85	38.10	27.00	-	101.00	50.80	9.00/8.00	267.0/60064	296.4	16.60
P160F27	160.0	69.85	38.10	17.53	-	81.00	50.80	6.30	244.0/54890	268.4	13.68
P200F10	200.0	100.00	47.00	25.00	-	103.50	72.00	10.00	308.7/69445	339.6	28.30
P200F15	200.0	40.10	51.40	19.10	-	109.50	50.80	9.50	213.0/47916	236.4	12.58
P200F58	200.0	44.00	44.00	19.10	-	91.50	50.80	7.00	200.0/44961	230.0	9.82
P228.6F9	228.6	107.95	77.70	31.75	-	173.60	88.90	16.00	598.0/134526	657.0	56.70
P250F36	250.0	100.00	57.20	22.23	-	117.00	63.50	9.50	314.0/70637	348.5	25.70
P250F39	250.0	44.00	44.00	19.00	-	92.00	50.00	7.00	200.0/44961	242.0	8.92

*Bush chain: d1 in the table indicates the external diameter of the bush.

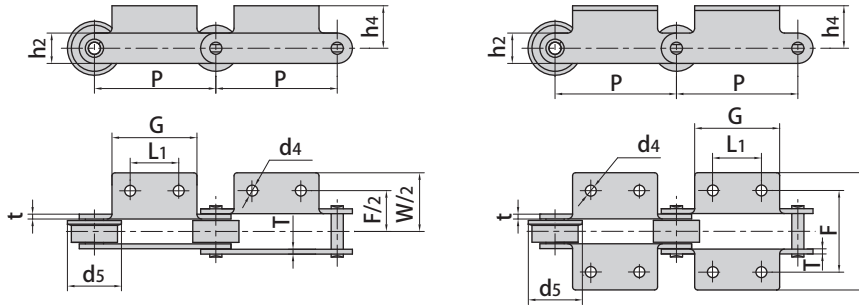
Conveyor chains with attachments



Donghua Chain No.	Pitch	Roller diameter	Width between inner plates	Pin diameter	Pin length		Ultimate tensile strength	Average tensile strength	Weight per meter
	P mm	d1 max mm	b1 min mm	d2 max mm	L max mm	Lc max mm	Q min kN/lbf	Q0 kN	q kg/m
P13.7K1	13.700	8.51	7.75	4.450	16.7	19.3	17.8/4000	20.0	0.79
P16.7F1K1	16.700	10.16	9.40	5.080	20.7	23.3	21.8/4900	24.0	1.50
*P28	28.575	11.68	16.00	7.870	-	32.4	50.0/11240	55.0	2.66
*P28F1	28.575	11.68	16.13	7.870	-	32.4	50.0/11240	55.0	2.60
P38F10K1	38.000	15.88	13.00	8.280	32.5	35.5	55.0/12364	60.5	2.60
P38F11K1	38.000	15.88	13.00	8.280	30.5	33.5	45.0/10116	49.5	2.30
P38.1F2	38.100	22.50	13.00	8.000	29.5	33.3	40.0/8992	44.0	2.42
P38.1F25A1	38.100	18.00	15.00	8.280	36.1	39.1	68.0/15287	75.0	3.00
P39.75A1	39.750	17.25	22.00	7.800	40.5	44.3	47.0/10566	51.7	3.10
P41.3F9A2	41.300	22.00	11.00	9.000	28.6	31.6	40.0/8992	44.0	2.30
P41.3F14A2	41.275	22.22	12.70	5.940	29.2	31.6	30.0/6744	33.0	2.22
P42F2	42.000	11.00	13.00	6.000	30.0	32.5	50.0/11240	55.0	1.85
P42.5	42.500	15.88	15.75	7.920	32.7	36.5	56.7/12746	62.0	3.40
P44F3A2	44.000	15.88	17.02	8.280	36.1	39.1	60.0/13488	66.0	2.32
P44.45F5	44.450	25.40	16.51	7.920	36.2	38.9	35.0/7874	38.5	3.85
P44.45F7A1	44.450	28.58	15.00	9.530	34.5	38.7	45.0/10116	49.5	3.80
P46	46.000	16.00	16.00	8.000	36.0	39.0	55.0/12364	60.5	3.23
P49F2A1	49.000	31.00	23.00	9.800	36.6	42.0	40.0/8992	44.0	5.51
P50F16	50.000	24.90	10.70	7.800	26.6	28.8	33.0/7418	36.3	2.22
P50F27A1	50.000	31.00	15.00	9.800	36.6	42.0	40.0/8992	44.0	5.30
P50.8F22A1-F	50.800	32.00	15.00	11.700	39.0	43.0	50.0/11240	55.0	6.13
P50.8F35A1	50.800	25.00	12.57	5.940	25.9	29.0	31.8/7150	35.0	2.20
P69F4A1	69.000	30.00	12.50	9.530	30.0	34.0	45.0/10116	50.0	3.18
P75F6	75.000	16.00	16.00	8.000	-	41.0	32.0/7200	35.2	2.44
P75F8A2	75.000	31.80	16.00	8.000	-	41.0	32.0/7200	35.2	3.52
P75F8A2-F	75.000	30.00	16.00	8.000	-	41.0	32.0/7200	35.2	3.80
P75F20A1	75.000	40.00	22.00	12.000	47.0	52.0	90.0/20232	99.0	6.81
P75F23	75.000	28.00	24.40	11.100	-	61.5	140.0/31473	154.0	4.49
P75F27A2	75.000	45.00	22.00	11.000	-	51.4	62.3/14005	68.0	7.43
*P76F1K1	76.000	32.00	35.00	16.000	-	77.0	240.0/53954	265.0	12.10
P76.2F1	76.200	31.75	15.00	14.200	-	44.2	60.0/13488	66.0	4.45
P76.2F41K1	76.200	38.10	25.40	11.100	-	57.5	80.0/17984	88.0	7.40
P76.2F42K1	76.200	38.10	25.40	11.100	-	60.7	120.0/26977	132.0	7.94
P78.11F8	78.110	31.80	37.10	15.000	-	83.5	100.0/22480	110.0	12.05

*Bush chain: d1 in the table indicates the external diameter of the bush.

Conveyor chains with attachments

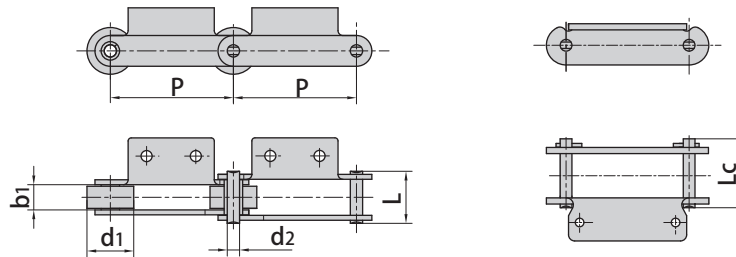


Donghua Chain No.	P	L1	G	F	W	h4	h2	d4	t/T	d5
	mm	mm	mm	mm	mm	mm	mm	mm	mm	mm
P13.7K1	13.700	△	9.50	29.00	38.70	7.10	11.80	4.50	1.60	-
P16.7F1K1	16.700	△	12.70	31.80	44.60	10.30	14.60	5.20	2.03	-
*P28	28.575	28.58	51.00	46.74	61.20	13.70	22.23	8.75	3.10	-
*P28F1	28.575	28.58	50.80	46.80	61.86	12.70	22.23	9.02	3.10	-
P38F10K1	38.000	△	30.00	49.00	79.00	16.50	21.00	8.40	3.5	-
P38F11F1	38.000	△	30.00	47.00	77.00	16.50	21.00	8.40	3.00	-
P38.1F2	38.100	△	28.00	56.00	76.00	17.20	19.00	9.00	3.00	-
P38.1F25A1	38.100	△	28.00	51.00	71.00	15.00	21.00	8.40	4.00	-
P39.75A1	39.750	△	61.00	62.10	94.10	16.50	21.25	11×8	3.50	-
P41.3F9A2	41.300	12.00	24.00	36.20	48.20	17.00	21.00	5.50	3.00	-
P41.3F14A2	41.275	14.30	28.60	42.90	61.20	14.70	17.50	5.20	3.25	-
P42F2	42.000	△	35.00	40.00	76.00	12.80	17.00	6.00	3.00	-
P42.5	42.500	19.00	38.00	53.50	70.00	19.50	22.00	7.00	3.25	-
P44F3A2	44.000	26.00	44.00	50.80	68.00	19.10	21.00	6.60	4.15/3.1	-
P44.45F5	44.450	△	34.93	57.16	74.46	19.05	19.05	8.00	3.80	-
P44.45F7A1	44.450	△	22.00	66.00	84.80	12.80	25.60	7.00	3.00	-
P46	46.000	△	38.00	54.00	82.80	18.00	22.00	6.00	4.00	-
P49F2A1	49.000	△	45.00	62.00	86.00	35.00	25.00	10.00	4.00	-
P50F16	50.000	△	41.30	45.00	61.40	36.00	20.00	6.50	3.00	-
P50F27A1	50.000	△	45.00	62.00	86.00	35.00	25.00	10.00	4.00	-
P50.8F22A1-F	50.800	△	45.00	75.00	110.40	20.00	26.40	9.00	4.50	40.00
P50.8F35A1	50.800	△	48.00	46.00	68.00	26.00	18.00	8.00	2.50	-
P69F4A1	69.000	△	60.00	60.00	80.00	27.00	25.00	9.00	3.00	-
P75F6	75.000	30.00	55.00	60.00	92.00	20.00	22.00	10.00	3.00	-
P75F8A2	75.000	30.00	55.00	60.00	92.00	20.00	22.00	10.00	3.20	-
P75F8A2-F	75.000	30.00	55.00	60.00	92.00	20.00	22.00	10.00	3.20	38.00
P75F20A1	75.000	△	55.00	64.00	92.00	25.00	32.00	M8	4.50	50.00
P75F23	75.000	40.00	60.00	88.00	118.00	37.00	30.00	9.00	6.00	-
P75F27A2	75.000	35.00	60.00	70.00	110.90	22.00	32.00	10.00	4.5/4.0	-
*P76F1K1	76.000	△	50.00	109.20	149.20	35.00	50.00	11.00	6.00	-
P76.2F1	76.200	31.00	58.00	75.40	107.00	21.25	29.00	10.50	4.50	-
P76.2F41K1	76.200	△	51.00	75.00	100.00	39.55	30.20	8.60	4.80	-
P76.2F42K1	76.200	△	50.80	74.60	101.60	20.60	28.60	8.70	4.80/6.4	-
P78.11F8	78.110	30.00	65.00	120.00	150.00	35.00	38.10	12.00	7.90	-

△Attachments with 1 hole

*Bush chain: d1 in the table indicates the external diameter of the bush.

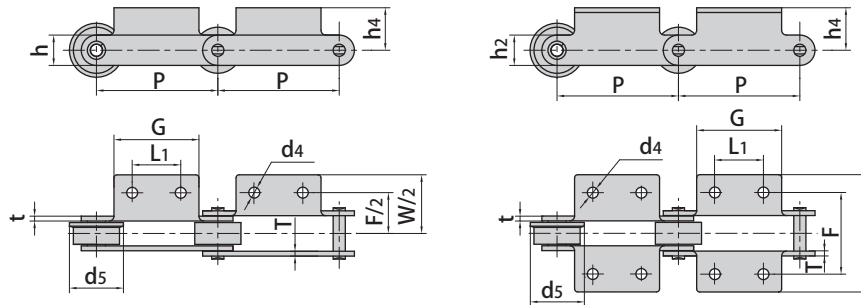
Conveyor chains with attachments



Donghua Chain No.	Pitch	Roller diameter	Width between inner plates	Pin diameter	Pin length		Ultimate tensile strength	Average tensile strength	Weight per meter
	P mm	d1 max mm	b1 min mm	d2 max mm	L max mm	Lc max mm	Q min kN/lbf	Q0 kN	q kg/m
P78.11F9	78.11	31.75	38.10	15.875	-	90.0	90.0/20232	99.0	11.28
P80F4	80.00	30.00	15.00	13.900	42.5	46.5	86.0/19333	95.0	3.97
P80F4-P	80.00	45.00	15.00	13.900	42.5	46.5	86.0/19333	94.6	5.67
P85A2F1	85.00	44.45	16.00	10.000	-	56.6	90.0/20232	100.0	6.80
P90F5A2	90.00	31.80	16.10	8.000	-	41.0	32.0/7193	35.0	2.86
P95F1A2	95.00	30.00	23.00	10.000	45.5	49.5	60.0/13488	66.0	3.79
P100A2-F1	100.00	50.00	29.90	14.000	-	61.0	150.0/33721	165.0	9.20
P100F1	100.00	42.00	23.00	9.530	52.0	54.3	86.7/19704	95.0	6.06
P100F2	100.00	36.00	18.00	9.530	47.0	49.3	86.7/19704	95.0	4.60
P100F3	100.00	29.00	30.00	14.500	-	71.0	95.0/21356	105.0	9.46
P100F4	100.00	40.00	22.00	11.300	-	53.5	65.0/14612	72.0	5.13
P100F4A2-F2	100.00	40.00	22.00	11.300	-	53.5	65.0/14612	72.0	5.92
P100F5	100.00	22.20	22.00	11.300	-	53.5	65.0/14612	72.0	3.90
P100F12	100.00	45.00	37.00	12.000	64.0	67.0	150.0/33721	165.0	10.30
P100F15	100.00	38.00	25.80	10.700	-	57.0	45.0/10116	50.0	5.25
P100F33	100.00	40.00	27.00	11.300	-	64.8	100.0/22480	110.0	6.80
P100F41A2	100.00	45.00	25.40	12.700	-	63.8	80.0/17984	88.0	8.26
P100F50	100.00	36.00	29.00	15.000	70.0	76.0	200.0/44992	220.0	13.93
P100F75	100.00	26.00	22.00	10.700	-	55.0	45.0/10116	50.0	4.75
P100F82A1	100.00	31.80	16.10	8.000	-	41.0	32.0/7193	35.2	3.07
P100F82A1-P	100.00	31.80	16.10	8.000	-	41.0	32.0/7193	35.0	3.07
P100F93	100.00	40.00	22.00	11.300	-	59.5	86.0/19333	94.6	8.07
P100F94K1	100.00	47.60	26.00	27.000	61.0	70.0	160.0/35993	176.0	12.90
P100F95A2	100.00	32.00	14.00	11.100	32.5	36.0	60.0/13488	66.0	3.11
P100F99K2	100.00	40.00	22.00	11.100	48.4	53.4	65.0/14612	71.5	5.54
P100F104	100.00	40.00	22.00	11.300	-	60.7	146.0/32822	160.6	7.33
P100F108K2	100.00	40.00	22.00	11.300	-	53.5	65.0/14612	71.5	5.80
P100F109A2	100.00	45.00	21.00	14.000	48.0	53.0	50.0/11240	55.0	6.94
*P100F128K2	100.00	32.00	45.00	16.000	-	95.0	240.0/53954	276.0	13.50
P100F143	100.00	40.00	24.00	11.300	-	53.5	65.0/14612	72.0	5.73
P100F148A2-F	100.00	38.00	20.50	9.530	43.6	47.9	38.0/8540	43.0	3.93
P100F101A2	100.00	22.20	24.00	11.100	57.5	62.7	70.0/15736	77.0	5.50
*P101.6F1	101.60	25.00	55.00	16.000	-	110.0	60.0/13488	66.0	11.90
P101.6F9	101.60	31.75	15.00	14.200	-	44.2	66.7/15159	73.0	8.40

*Bush chain: d1 in the table indicates the external diameter of the bush.

Conveyor chains with attachments

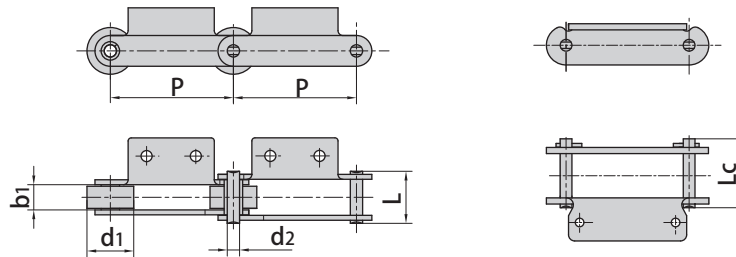


Donghua Chain No.	P	L1	G	F	W	h4	h2	d4	t/T	d5
	mm	mm	mm	mm	mm	mm	mm	mm	mm	mm
P78.11F9	78.11	38.10	116.60	104.60	133.30	31.75	38.10	14.30	7.90	-
P80F4	80.00	40.00	70.20	57.40	87.40	22.95	27.10	8.50	5.60/4.15	-
P80F4-P	80.00	40.00	70.20	57.40	87.40	22.95	27.10	8.50	5.60/4.15	-
P85A2F1	85.00	30.00	50.40	95.00	125.00	22.50	35.00	9.00	4.80	-
P90F5A2	90.00	40.00	65.00	60.00	92.00	20.00	22.00	10.00	3.20	42.00
P95F1A2	95.00	40.00	65.00	66.40	96.40	22.50	25.00	8.50	4.00	40.00
P100A2-F1	100.00	40.00	65.00	98.00	128.00	35.00	40.00	10.00	4.00	65.00
P100F1	100.00	78.00	96.00	73.00	103.00	17.50	32.00	7.00	5.00	-
P100F2	100.00	40.00	70.00	68.00	98.00	17.50	32.00	9.00	5.00	-
P100F3	100.00	40.00	70.00	100.00	128.00	28.00	38.10	12.00	6.00	-
P100F4	100.00	40.00	65.00	70.00	94.00	22.00	32.00	10.00	4.50	-
P100F4A2-F2	100.00	40.00	65.00	70.00	94.00	22.00	32.00	10.00	4.50	-
P100F5	100.00	40.00	65.00	70.00	94.00	22.00	32.00	10.00	4.50	-
P100F12	100.00	60.00	90.00	98.00	128.00	34.00	40.00	11.50	5.00	64.00
P100F15	100.00	29.85	65.00	75.00	115.60	20.00	28.00	9.00	4.80	-
P100F33	100.00	40.00	65.00	78.30	102.30	24.30	32.00	10.00	6.00	50.00
P100F41A2	100.00	40.00	70.00	80.00	126.00	25.00	31.80	12.00	6.30	60.00
P100F50	100.00	40.00	70.00	156.00	196.00	43.00	60.00	9.00	8.00	-
P100F75	100.00	29.85	65.00	68.00	112.0	20.00	28.00	12×9	4.80	-
P100F82A1	100.00	△	65.00	60.00	92.00	20.00	22.00	10.00	3.20	42.00
P100F82A1-P	100.00	△	65.00	60.00	92.00	20.00	22.00	10.00	3.20	31.80
P100F93	100.00	40.00	70.00	100.00	124.00	30.00	32.00	100.00	6.00	-
P100F94K1	100.00	△	35.00	85.00	116.00	38.50	55.00	13.00	7.00/5.00	-
P100F95A2	100.00	30.00	51.00	76.00	104.00	18.00	30.00	9.00	3.00	-
P100F99K2	100.00	40.00	65.00	70.00	104.00	22.00	32.00	9.50	4.80	-
P100F104	100.00	40.00	65.00	70.00	104.00	23.60	32.00	10.00	6.30	-
P100F108K2	100.00	40.00	65.00	70.00	94.00	35.00	32.00	10.00	4.50	-
P100F109A2	100.00	40.00	60.00	110.00	130.00	17.50	35.00	6.40	5.00	-
*P100F128K2	100.00	30.00	61.00	123.20	163.50	35.00	50.00	13.00	8.00	-
P100F143	100.00	40.00	65.00	70.00	100.00	35.00	32.00	11.00	4.00	50.00
P100F148A2-F	100.00	50.00	70.00	72.00	104.00	37.00	21.00	9.00	4.00	44.50
P100F101A2	100.00	41.00	65.00	86.00	134.00	24.50	33.00	9.00	6.00	-
*P101.6F1	101.60	44.00	73.00	136.00	165.00	30.00	40.00	11.00	10.00	-
P101.6F9	101.60	31.00	65.00	75.40	107.00	21.25	29.00	10.50	4.50	-

△Attachments with 1 hole

*Bush chain: d1 in the table indicates the external diameter of the bush.

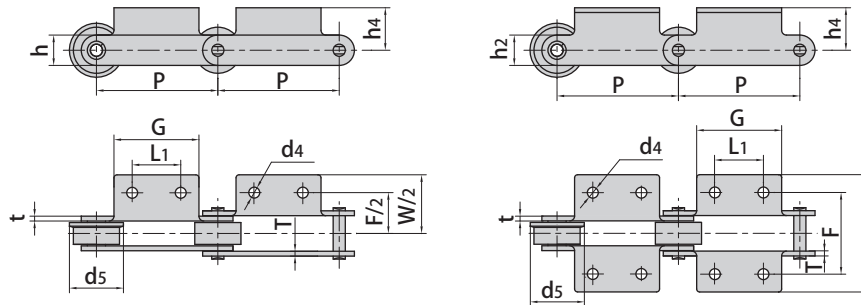
Conveyor chains with attachments



Donghua Chain No.	Pitch	Roller diameter	Width between inner plates	Pin diameter	Pin length		Ultimate tensile strength	Average tensile strength	Weight per meter
	P mm	d1 max mm	b1 min mm	d2 max mm	L max mm	Lc max mm	Q min kN/lbf	Q0 kN	q kg/m
*P101.6F17K2	101.6	25.40	55.60	15.880	-	115.0	180.0/40492	198.0	12.40
P101.6F18A1	101.6	31.75	15.00	10.000	37.0	41.0	56.0/12589	61.0	3.63
*P101.6F18A2	101.6	31.75	15.00	10.000	37.0	41.0	40.0/8992	44.0	3.66
P101.6F21	101.6	38.10	53.80	15.875	-	112.2	180.0/40492	198.0	14.90
P101.6F25	101.6	36.50	50.80	19.050	-	112.0	200.0/44992	220.0	18.10
P101.6F30A2	101.6	38.00	22.00	10.000	-	52.8	100.0/22480	110.0	5.19
P101.6F35	101.6	66.70	25.00	25.400	61.0	66.0	160.0/35993	176.0	15.73
P101.6F36	101.6	57.15	33.40	15.880	-	92.0	180.0/40492	198.0	14.33
P101.6F39	101.6	57.15	33.30	16.000	82.0	89.0	127.0/28550	140.0	17.70
P101.6F39K1F1	101.6	57.15	33.30	16.000	82.0	89.0	127.0/28550	140.0	16.60
P101.6F40A2	101.6	38.10	21.00	10.000	-	52.0	50.0/11240	55.0	4.69
P101.6F41K1	101.6	44.50	27.00	11.300	-	67.0	78.0/17546	86.0	10.20
P101.6F43A2	101.6	50.00	16.00	16.000	49.0	53.5	145.0/32620	160.0	7.95
P101.6F54K1	101.6	57.15	33.30	16.000	-	89.0	177.8/39998	197.4	17.86
P101.6F56K2	101.6	32.00	54.50	16.000	-	115.0	180.0/40493	199.8	16.51
P101.6F57K3	101.6	57.15	31.75	15.900	-	67.4	166.0/37343	191.2	13.90
P101.6F62K1	101.6	57.15	33.30	16.000	-	89.0	177.8/39998	197.4	18.83
P101.6F69K3	101.6	38.10	23.80	12.700	-	65.1	100.0/22480	110.8	8.34
P101.6F76	101.6	57.15	31.56	16.000	56.2	62.0	82.6/18582	91.7	11.57
P101.6F80A2	101.6	44.50	31.60	15.900	-	81.0	130.0/29245	144.3	11.36
P101.6F84A2	101.6	50.80	30.23	11.180	-	62.0	80.36/18078	89.2	9.04
P101.6F88	101.6	57.15	31.00	15.880	-	89.0	140.0/31473	160.0	18.40
P101.6F91A1	101.6	38.10	21.00	9.700	-	52.5	50.0/11240	55.0	5.30
P101.6F95K2	101.6	28.60	27.60	12.700	-	67.0	120.0/26977	132.0	6.65
P101.6F97K1	101.6	44.45	33.27	15.880	-	82.6	113.2/25448	125.0	13.77
P101.6F98K2	101.6	47.60	19.00	12.000	-	53.0	100.0/22480	110.0	6.60
P101.6F101K1	101.6	57.15	33.30	16.000	-	89.0	114.0/25628	125.0	17.70
P117	117.0	35.00	50.00	17.000	-	102.0	150.0/33721	166.5	13.40
P120	120.0	50.00	28.00	12.000	54.0	58.0	160.0/35993	176.0	8.14
P120A2F4	120.0	32.00	37.00	12.700	69.1	-	140.0/31473	155.4	9.00
P125F2	125.0	32.00	18.50	8.000	39.0	-	120.0/26977	132.0	2.66
P125F9A2	125.0	45.00	25.00	14.600	55.5	60.0	50.0/11240	55.0	2.58
P125F2K2-P	125.0	32.00	18.50	8.000	-	40.0	50.0/11240	55.0	2.83
P125F25K2-P	125.0	32.00	18.50	8.000	-	49.0	60.0/13488	66.0	4.00

*Bush chain: d1 in the table indicates the external diameter of the bush.

Conveyor chains with attachments

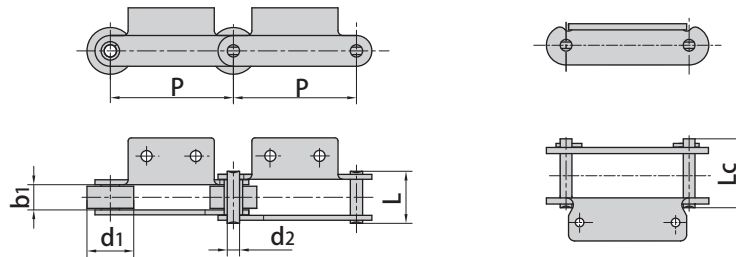


Donghua Chain No.	P	L1	G	F	W	h4	h2	d4	t/T	d5
	mm	mm	mm	mm	mm	mm	mm	mm	mm	mm
*P101.6F17K2	101.6	44.50	84.0	136.0	172.0	25.40	38.00	11.00	10.00	-
P101.6F18A1	101.6	△	60.0	76.0	124.0	19.00	25.00	10.60	4.00	-
*P101.6F18A2	101.6	30.00	60.0	76.0	124.0	19.00	25.00	10.50	4.00	-
P101.6F21	101.6	44.50	141.2	134.9	177.8	28.70	38.10	14.00	9.65	-
P101.6F25	101.6	44.45	152.4	140.7	171.6	41.28	44.45	13.50	9.50	-
P101.6F30A2	101.6	40.00	70.0	80.0	107.0	22.00	30.00	11.50	5.00	-
P101.6F35	101.6	50.00	70.0	107.0	127.0	40.00	51.00	10.00	6.00	-
P101.6F36	101.6	△	50.8	98.4	142.9	32.00	38.10	14.30	9.50	-
P101.6F39	101.6	△	50.8	101.6	146.4	31.75	38.10	14.20	9.65	-
P101.6F39K1F1	101.6	△	38.1	101.6	138.2	33.30	38.10	14.20	9.65	-
P101.6F40A2	101.6	40.00	70.0	80.0	108.0	22.00	25.00	12.00	5.00	-
P101.6F41K1	101.6	△	70.0	100.0	128.0	28.00	28.60	12.00	6.30	-
P101.6F43A2	101.6	32.00	56.0	80.0	112.0	20.00	40.00	9.50	6.00	-
P101.6F54K1	101.6	△	50.8	101.6	146.4	31.75	38.10	14.20	9.65	-
P101.6F56K2	101.6	45.00	81.0	142.2	179.2	32.50	45.00	11×15	10.00	-
P101.6F57K3	101.6	50.80	82.6	101.6	132.5	36.50	44.45	10.3/15	6.40	-
P101.6F62K1	101.6	△	50.8	101.6	146.4	31.75	41.30	14.20	9.65	-
P101.6F69K3	101.6	38.10	68.0	69.9	103.2	22.20	33.00	10.30	6.40	-
P101.6F76	101.6	60.00	76.2	70.0	101.2	35.00	38.10	5.00	4.00	70.0
P101.6F80A2	101.6	40.00	80.0	110.0	146.0	35.00	38.10	15.00	8.00	-
P101.6F84A2	101.6	50.80	79.5	101.6	133.6	28.70	31.80	9.60	4.80	-
P101.6F88	101.6	44.45	71.0	101.0	142.5	31.75	39.50	11.00	9.50	-
P101.6F91A1	101.6	△	70.0	80.0	108.0	22.00	25.00	M10	5.00	-
P101.6F95K2	101.6	40.00	70.0	90.0	123.0	28.00	32.00	12.00	6.00	-
P101.6F97K1	101.6	△	76.2	92.0	134.8	25.40	38.10	14.20	7.90	-
P101.6F98K2	101.6	40.00	70.0	78.0	105.0	32.00	30.00	11.50	5.00	-
P101.6F101K1	101.6	△	50.8	101.6	146.4	31.75	38.10	9.70	9.65	-
P117	117.0	90.00	160.0	136.0	176.0	35.00	40.00	14.00	8.00	-
P120	120.0	50.00	75.0	82.0	119.6	20.00	40.00	7.00	5.00	59.0
P120A2F4	120.0	65.00	100.0	96.0	118.0	44.50	48.00	11.00	6.00	-
P125F2	125.0	46.00	76.0	64.0	90.0	14.00	22.00	10.00	3.00	42.0
P125F9A2	125.0	30.00	60.0	90.0	128.0	35.00	35.00	11.00	6.00/5.00	55.0
P125F2K2-P	125.0	46.00	76.0	64.0	90.0	14.00	22.00	10.00	3.00	-
P125F25K2-P	125.0	46.00	76.0	64.0	90.0	14.00	22.00	10.00	5.00	-

△Attachments with 1 hole

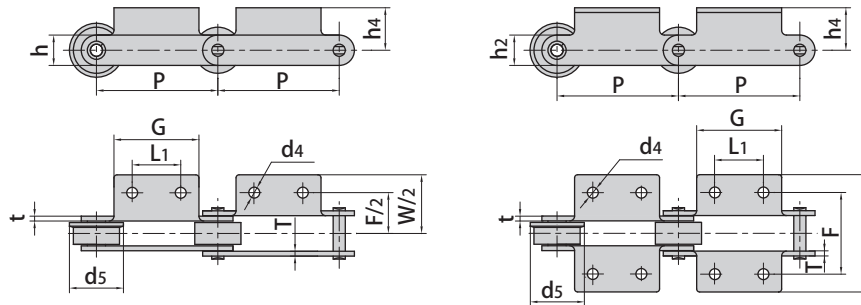
*Bush chain: d1 in the table indicates the external diameter of the bush.

Conveyor chains with attachments



Donghua Chain No.	Pitch	Roller diameter	Width between inner plates	Pin diameter	Pin length		Ultimate tensile strength	Average tensile strength	Weight per meter
	P mm	d1 max mm	b1 min mm	d2 max mm	L max mm	Lc max mm	Q min kN/lbf	Q0 kN	q kg/m
P125F28A2	125.0	32.00	18.50	8.00	-	40.0	50.0/11240	55.0	3.13
P125F30A2-F	125.0	50.00	30.00	14.50	58.1	63.0	80.0/17984	88.0	8.76
P130K2F2	130.0	80.00	40.00	24.00	77.6	88.3	200.0/44992	218.0	13.90
P150F2	150.0	40.00	27.00	11.10	57.0	61.0	124.6/28318	137.0	5.40
P150F4	150.0	50.00	37.00	16.00	77.5	82.5	170.0/38243	187.0	10.90
P150F6	150.0	50.00	30.00	12.00	49.5	-	86.7/19704	95.0	7.27
P150F11A2	150.0	46.70	21.50	15.00	46.6	51.5	130.0/29245	142.0	7.13
P150F13A2	150.0	47.60	21.50	15.00	50.6	55.5	130.0/29245	142.0	8.52
P150F14A2	150.0	47.60	21.50	19.00	50.6	56.5	130.0/29245	142.0	8.59
P150F16A2	150.0	45.00	30.00	16.00	-	75.5	170.0/38243	187.0	8.56
P150F18	150.0	50.00	37.00	16.00	77.5	82.5	170.0/38243	187.0	14.49
RF10150RA2	150.0	50.80	30.00	14.50	69.0	-	113.0/25420	124.0	9.20
P150F21A2	150.0	57.48	35.91	19.05	-	79.0	150.0/33744	166.5	11.18
P150F26A2	150.0	44.50	30.00	14.50	-	69.0	113.0/25420	126.0	7.96
P150F31A2	150.0	50.00	27.00	12.00	-	70.0	150.0/33721	166.0	8.50
P150F32A2	150.0	44.50	27.00	11.30	-	67.0	78.0/17547	86.5	6.78
P150F78A1	150.0	50.00	30.90	14.50	-	70.0	150.0/33721	165.0	8.81
P150F85	150.0	70.00	36.00	19.00	-	94.1	160.0/35969	184.0	15.20
RF10150RA2-F	150.0	50.80	30.00	14.50	-	69.0	113.0/25420	124.0	9.50
P152F	152.4	40.10	37.50	19.10	97.5	-	328.7/74704	378.0	15.88
P152F4	152.4	50.80	30.60	14.27	62.8	67.5	88.0/20000	100.0	9.24
P152F11	152.4	38.00	53.50	14.70	112.4	-	130.0/29245	142.0	12.60
P152F16	152.4	70.00	76.20	25.40	152.0	-	160.0/35969	176.0	41.50
P152F19	152.4	50.80	30.60	14.27	62.8	67.5	112.0/25195	123.2	9.24
P152F20	152.4	47.60	39.70	19.05	99.7	-	300.0/67487	330.0	18.33
P152F32K2	152.4	36.00	45.00	20.00	103.0	-	300.0/67487	330.0	14.93
P152F33	152.4	36.00	68.00	20.00	128.0	-	300.0/67487	330.0	16.50
P152F41A2	152.4	36.00	36.00	15.50	-	90.0	235.2/52875	258.0	10.90
P152F42K2F1	152.4	63.50	34.90	19.00	93.0	-	152.0/34193	168.9	18.80
P152F43	152.4	76.20	35.00	23.81	108.0	-	446.8/100510	513.5	27.60
P152F50	152.4	101.60	44.00	22.20	87.0	-	250.0/56240	275.0	26.70
P152F54	152.4	30.00	53.00	16.00	112.0	-	175.0/39380	193.0	11.10
P152F56	152.4	50.80	33.34	15.88	86.0	-	113.0/25420	124.3	10.70
RF6205MF6A2	152.4	65.00	37.10	15.90	88.0	-	158.0/35543	186.0	16.80

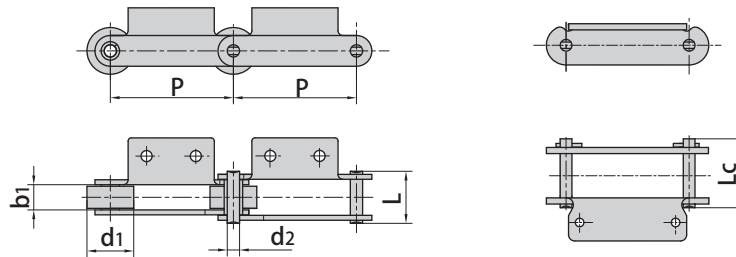
Conveyor chains with attachments



Donghua Chain No.	P	L1	G	F	W	h4	h2	d4	t/T	d5
	mm	mm	mm	mm	mm	mm	mm	mm	mm	mm
P125F28A2	125.0	46.0	76.0	64.00	90.00	45.00	22.00	8.00	3.00	42.0
P125F30A2-F	125.0	50.0	80.0	96.00	135.00	35.00	35.00	11.00	5.00	64.0
P130K2F2	130.0	55.0	95.0	102.00	144.00	47.50	60.00	11.00	6.00	-
P150F2	150.0	60.0	85.0	92.00	117.30	22.50	32.00	10.00	6.00	-
P150F4	150.0	60.0	85.0	120.00	150.00	33.00	43.00	14.00	8.00	-
P150F6	150.0	50.0	75.0	86.60	126.60	17.50	35.00	9×26	4.00	59.0
P150F11A2	150.0	36.0	60.0	163.50	189.60	40.15	39.70	10.60	5.00	-
P150F13A2	150.0	36.0	60.0	164.00	193.50	52.00	40.00	11.00	6.00	-
P150F14A2	150.0	36.0	60.0	164.00	193.50	52.00	40.00	11.00	6.00	-
P150F16A2	150.0	60.0	90.0	110.00	140.00	32.00	38.00	12.00	8.00	-
P150F18	150.0	60.0	85.0	120.00	150.00	33.00	43.00	M10	8.00	-
RF10150RA2	150.0	60.0	90.0	100.00	130.00	28.00	38.10	12.00	6.30	-
P150F21A2	150.0	26.0	45.7	100.40	129.40	58.50	44.45	10.90	6.40	-
P150F26A2	150.0	60.0	84.5	100.00	130.00	23.60	33.60	12.00	6.30	60.0
P150F31A2	150.0	60.0	90.0	100.00	139.00	28.00	35.00	11.00	6.00	66.0
P150F32A2	150.0	60.0	90.0	100.00	128.00	28.00	28.60	12.00	6.30	55.0
P150F78A1	150.0	△	90.0	100.00	136.60	28.95	38.10	11.50	6.30	65.0
P150F85	150.0	60.0	100.0	130.00	160.00	32.50	50.00	13.00	10.00	-
RF10150RA2-F	150.0	60.0	90.0	100.00	130.00	28.00	38.10	12.00	6.30	65.0
P152F	152.4	60.0	100.0	130.00	202.00	45.00	50.00	15.00	9.00	-
P152F4	152.4	60.0	100.0	110.00	140.00	32.00	38.00	15.00	6.00	65.0
P152F11	152.4	44.6	74.8	133.70	168.00	24.00	39.00	10.80	9.60/11.40	-
P152F16	152.4	63.5	178.5	184.15	241.15	47.65	63.50	20.70	12.70	-
P152F19	152.4	60.0	100.0	110.00	140.00	32.00	38.00	15.00	6.00	65.0
P152F20	152.4	△	76.2	120.65	172.30	41.30	50.80	17.50	9.50	-
P152F32K2	152.4	60.0	110.0	135.00	171.00	40.00	52.00	14.00	10.00	-
P152F33	152.4	60.0	110.0	158.00	194.00	40.00	52.00	14.00	10.00	-
P152F41A2	152.4	60.0	90.0	120.00	160.00	35.50	50.00	14.00	8.00	-
P152F42K2F1	152.4	66.8	140.0	108.20	148.20	41.40	50.80	12.70	9.50	-
P152F43	152.4	76.2	108.0	111.10	155.60	44.45	60.30	12.70	11.10	-
P152F50	152.4	63.5	102.0	101.60	135.00	37.50	65.00	13.50	6.00	-
P152F54	152.4	45.0	74.0	135.00	165.00	25.40	39.00	11.00	10.00	-
P152F56	152.4	50.8	76.2	101.60	133.40	28.60	38.10	11.10	8.00	-
RF6205MF6A2	152.4	60.0	100.0	120.00	158.00	38.00	45.00	15.00	8.00	85.0

△Attachments with 1 hole

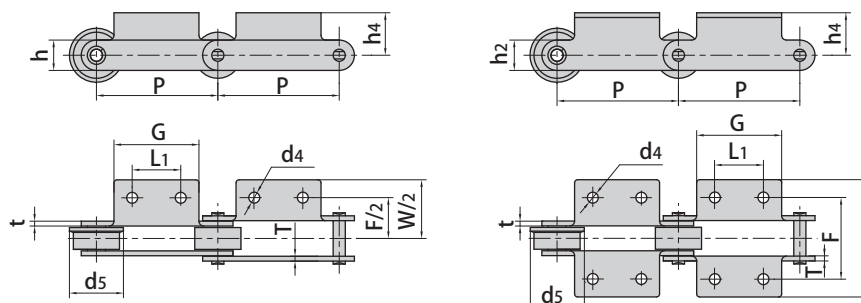
Conveyor chains with attachments



Donghua Chain No.	Pitch	Roller diameter	Width between inner plates	Pin diameter	Pin length		Ultimate tensile strength	Average tensile strength	Weight per meter
	P mm	d1 max mm	b1 min mm	d2 max mm	L max mm	Lc max mm	Q min kN/lbf	Q0 kN	q kg/m
P152F78K2F1	152.4	69.85	37.60	22.23	-	97.1	400.0/89923	440.0	26.70
P152F107A2	152.4	50.80	27.60	11.10	-	70.0	110.0/24728	121.0	9.10
P152F111K2	152.4	69.85	37.10	22.23	-	111.2	413.0/92846	474.0	25.10
P152F117K2	152.4	36.00	36.00	15.50	-	90.0	232.0/52155	255.0	12.30
*P152F128K2	152.4	44.45	76.20	25.40	142.50	153.0	365.0/82055	401.0	36.03
P152F137A2	152.4	50.80	28.70	12.00	-	74.0	120.0/26977	132.0	8.52
RF6205MF7	152.4	65.00	37.10	15.90	-	88.0	158.0/35519	186.0	15.49
P153F3K2	153.6	35.00	54.10	17.50	-	106.0	200.0/44961	220.0	14.02
*P160F1	160.0	36.00	55.00	20.00	108.00	-	50.0/11364	55.0	14.50
P160F3	160.0	48.00	25.00	14.85	62.50	-	120.0/26977	132.0	7.10
P160F5	160.0	60.00	33.00	14.27	64.00	72.0	150.0/34091	165.0	8.00
P160F8	160.0	40.00	20.00	11.00	50.00	-	55.0/12500	61.0	4.58
P160F18	160.0	50.00	34.00	20.00	-	88.0	100.0/22496	109.5	14.93
P160F25	160.0	70.00	25.00	14.25	55.50	60.5	100.0/22496	109.5	7.65
P160F26	160.0	50.00	29.90	13.94	-	60.0	105.0/23620	115.5	6.41
*P160F37A2	160.0	45.00	56.00	28.00	-	150.0	600.0/134885	660.0	31.24
P185	185.0	50.80	30.60	14.27	62.80	67.5	70.0/15909	77.0	8.42
P200F6	200.0	50.00	37.00	16.00	77.50	82.5	170.0/38243	188.7	9.69
P200F7	200.0	40.00	27.00	11.10	57.00	61.0	124.6/28030	137.0	9.78
P200F8	200.0	65.00	37.00	16.00	86.50	-	170.0/38243	188.7	15.23
P200F13	200.0	80.00	51.00	20.00	106.00	-	180.0/40492	198.0	26.10
P200F15	200.0	40.10	51.40	19.10	109.50	-	213.0/47916	234.3	12.60
P200F23	200.0	65.00	36.50	16.00	-	86.5	170.0/38243	188.7	11.57
P200F22	200.0	90.00	48.00	16.00	-	99.0	170.0/38243	188.7	19.60
P200F26A2	200.0	50.00	37.00	16.00	85.50	90.5	170.0/38243	188.7	11.08
P200F28K2F1	200.0	65.00	37.10	16.00	77.50	85.5	160.0/35969	176.0	18.80
P200F30	200.0	65.00	38.00	18.00	-	79.5	120.0/26977	130.8	10.80
RF12200A2-F-200	200.0	65.00	37.10	15.90	-	86.5	279.0/62763	306.9	14.20
P200F82A2-F	200.0	65.00	51.00	16.00	-	100.0	170.0/38243	195.0	14.60
P203.2F6	203.2	88.90	45.97	25.40	-	116.3	489.0/110005	528.1	37.00
P203.2F10	203.2	88.90	45.97	25.40	-	116.3	488.0/109706	536.0	37.00
RF10250RA2	250.0	50.80	30.00	14.50	69.00	-	113.0/25420	124.3	6.47
P250F25	250.0	50.00	30.00	14.00	-	81.3	170.0/38243	188.7	8.40
*P250F38K2	250.0	50.80	65.00	38.00	-	143.5	700.0/157366	770.0	39.10
P250F68A2	250.0	50.00	30.60	14.00	-	70.6	112.0/25178	128.0	7.60

*Bush chain: d1 in the table indicates the external diameter of the bush.

Conveyor chains with attachments

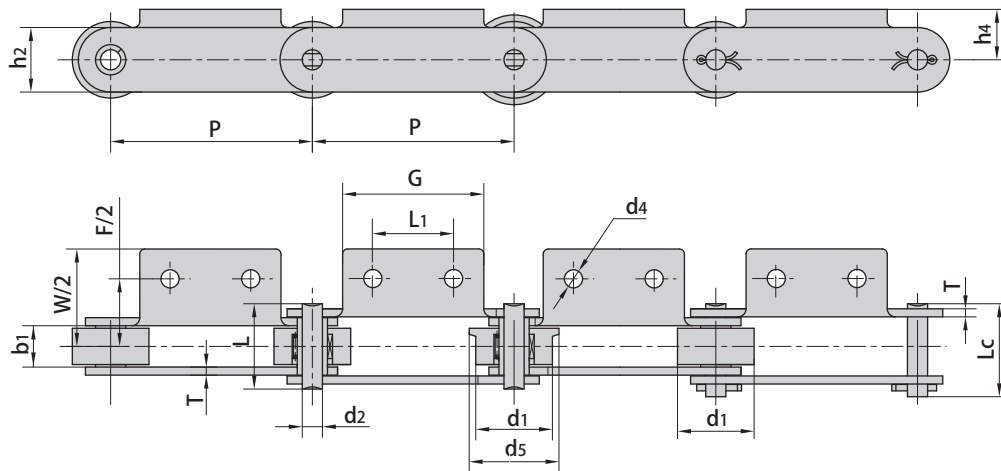


Donghua Chain No.	P	L1	G	F	W	h4	h2	d4	t/T	d5
	mm	mm	mm	mm	mm	mm	mm	mm	mm	mm
P152F78K2F1	152.4	76.20	114.3	111.00	165.00	41.30	57.20	13.0	9.52	-
P152F107A2	152.4	50.80	88.9	101.60	132.80	31.75	38.10	M12	6.35	-
P152F111K2	152.4	76.20	114.3	111.10	153.90	41.30	57.20	13.5	12.70	-
P152F117K2	152.4	60.00	100.0	120.00	160.00	38.00	50.00	14.0	8.00	-
*P152F128K2	152.4	63.50	175.5	184.00	238.20	47.75	63.50	17.5	12.70	-
P152F137A2	152.4	50.80	76.2	102.40	137.00	32.00	32.00	10.5	7.00	-
RF6205MF7	152.4	60.00	100.0	120.00	158.00	34.50	45.00	14.8	8.00	85.0
P153F3K2	153.6	44.50	204.8	136.60	168.60	38.10	44.50	12.7	8.00	-
*P160F1	160.0	60.00	110.0	130.00	173.00	40.00	50.00	14.00	9.00	-
P160F3	160.0	49.00	70.0	83.00	117.00	32.50	35.00	8.5	6.00	-
P160F5	160.0	35.00	70.0	110.00	166.00	38.70	40.00	14.0	5.60	-
P160F8	160.0	80.50	133.0	56.00	100.00	16.00	32.00	8.33x13.30	4.50	-
P160F18	160.0	60.00	110.0	110.00	153.00	40.00	50.00	15.0	9.00	-
P160F25	160.0	△	120.0	70.00	89.00	27.50	36.00	10.0	5.60	-
P160F26	160.0	30.00	50.0	94.00	124.00	35.00	40.00	10.0	4.00	65.0
*P160F37A2	160.0	100.00	145.0	160.0	210.00	62.00	80.00	18.0	12.00	-
P185	185.0	60.00	120.0	110.00	140.00	32.00	38.00	15.0	6.00	65.0
P200F6	200.0	81.50	120.0	120.00	150.00	33.00	43.00	14.0	8.00	-
P200F7	200.0	81.50	120.0	92.00	122.00	22.00	32.00	10.0	6.00	-
P200F8	200.0	80.00	120.0	200.00	238.00	38.00	43.00	15.0	8.00	80.0
P200F13	200.0	110.00	150.0	152.00	204.00	43.00	50.00	13.0	9.00	-
P200F15	200.0	80.00	120.0	150.00	200.00	43.00	50.80	15.0	9.50	-
P200F23	200.0	80.00	120.0	120.00	170.00	38.00	43.00	15.0	8.00	-
P200F22	200.0	80.00	120.0	212.00	250.00	38.00	43.00	15.0	8.00	100.0
P200F26A2	200.0	81.50	120.0	120.00	154.00	33.00	43.00	14.0	10.00	-
P200F28K2F1	200.0	80.00	120.0	120.0	158.00	75.00	44.50	12.0	8.00	-
P200F30	200.0	65.00	100.0	119.00	159.00	30.00	50.00	12.5/18.5	6.00	-
RF12200A2-F-200	200.0	80.00	120.0	120.00	158.00	38.00	44.50	15.0	7.90	80.0
P200F82A2-F	200.0	60.00	100.0	116.00	146.00	42.00	43.00	15.0	8.00	80.0
P203.2F6	203.2	114.30	152.4	131.83	192.00	54.10	69.80	17.5	12.70	-
P203.2F10	250.0	82.55	152.4	131.83	192.00	54.10	69.80	17.5	12.70	-
RF10250RA2	250.0	80.00	120.0	100.00	130.00	28.00	38.10	12.0	6.30	-
P250F25	250.0	60.00	93.0	108.00	143.60	30.00	38.00	10.0	8.00	-
*P250F38K2	250.0	75.00	120.0	192.00	232.00	68.00	100.00	18.5	12.00	-
P250F68A2	250.0	125.00	160.0	100.00	132.00	28.00	38.00	12.0	6.00	65.0

△Attachments with 1 hole

*Bush chain: d1 in the table indicate the external diameter of the bush.

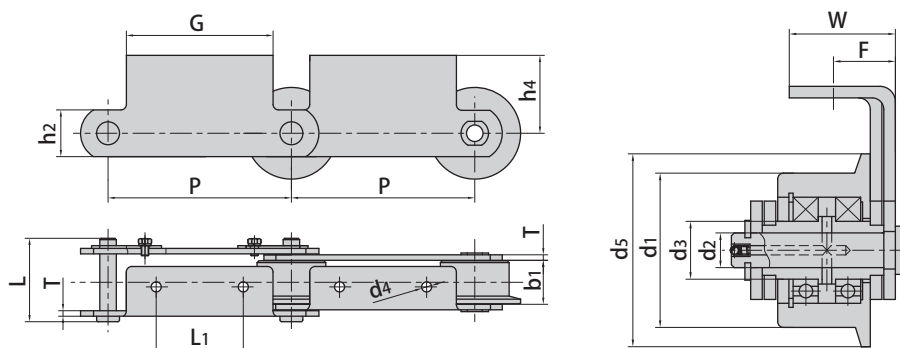
Conveyor chains with attachments



Donghua Chain No.	Pitch	Roller diameter	Width between inner plates	Pin diameter	Pin length		Ultimate tensile strength	Average tensile strength	Weight per meter
	P mm	d1 max mm	b1 min mm	d2 max mm	L max mm	Lc max mm	Q min kN/lbf	Q0 kN	q kg/m
M56F4-P-100	100.0	38.0	20.5	10.00	42.3	46.1	56.0/12727	62.0	4.30
M56F7-P-100	100.0	38.0	17.0	10.00	38.8	42.6	56.0/12727	62.0	4.84
M56F9-P-100	100.0	38.0	20.5	10.00	46.3	50.1	88.2/20045	97.0	5.60
P100	100.0	50.0	29.9	13.94	60.0	-	160.0/36364	176.0	9.27
P100F4A2-F1	100.0	40.0	22.0	11.30	-	53.5	65.0/14612	71.5	5.52
P150F41	150.0	38.0	20.5	12.00	51.2	55.5	100.0/22480	110.0	5.50
P150F40	150.0	38.0	20.5	10.00	41.1	44.6	80.0/17984	88.0	3.70
P160	160.0	50.0	29.9	13.94	60.0	-	160.0/36364	176.0	7.23
P200F28	200.0	65.0	37.1	16.00	77.5	85.5	160.0/36364	176.0	14.10
P200F31	200.0	80.0	37.1	16.00	77.5	85.5	160.0/36364	176.0	18.10
P300	300.0	80.0	45.0	23.81	95.5	103.0	300.0/68181	320.0	24.32
P350	350.0	80.0	45.0	23.81	95.5	103.0	300.0/68181	320.0	23.60
P400F1	400.0	80.0	45.0	23.81	95.5	103.0	300.0/68181	320.0	22.67

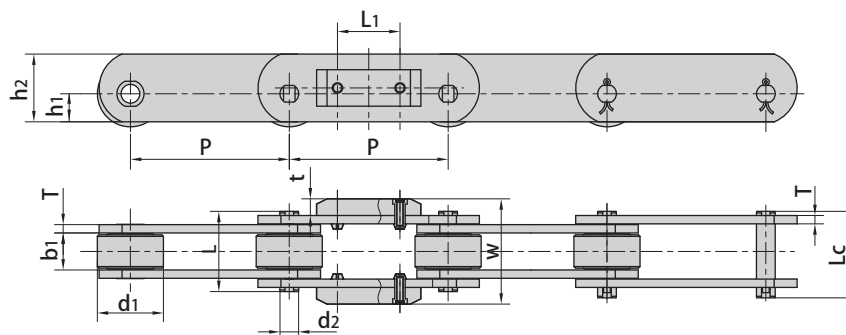
Donghua Chain No.	L1	G	F	W	h4	h2	d4	T	d5
	mm	mm	mm	mm	mm	mm	mm	mm	mm
M56F4-P-100	40.0	70.0	68.5	98.50	25.0	25.0	9.0	4.0	44.5
M56F7-P-100	40.0	70.0	71.5	92.00	55.0	25.0	6.5	4.0	45.0
M56F9-P-100	40.0	70.0	67.5	96.58	25.0	32.0	9.0	5.0	44.5
P100	40.0	65.0	98.0	128.00	35.0	40.0	10.0	4.0	65.0
P100F4A2-F1	40.0	65.0	70.0	94.00	22.0	32.0	10.0	4.5	50.0
P150F41	60.0	90.0	71.0	94.00	29.0	32.0	10.0	6.0	-
P150F40	60.0	90.0	71.0	94.00	27.0	32.0	10.0	3.7	-
P160	85.0	115.0	94.0	124.00	35.0	40.0	10.0	4.0	65.0
P200F28	80.0	120.0	120.0	158.00	63.0	44.5	12.0	8.0	80.0
P200F31	80.0	140.0	120.0	158.00	85.0	44.5	M10	8.0	100.0
P300	200.0	250.0	150.0	190.00	105.0	60.0	13.0	10.0	100.0
P350	250.0	300.0	150.0	190.00	105.0	60.0	13.0	10.0	100.0
P400F1	300.0	350.0	150.0	190.00	105.0	60.0	15.0	10.0	100.0

Conveyor chains with attachments



Donghua Chain No.	Pitch	Roller diameter		Width between inner plates	Pin diameter	Pin length	Bush diameter	Plate depth	Plate thickness	Ultimate tensile strength
	P	d1 max	d5	b1 min	d2 max	L max	d3 max	h2 max	T max	Q min
	mm	mm	mm	mm	mm	mm	mm	mm	mm	kN/lbf
M160F6-F-200	200.0	80.0	98.0	47.5	18.0	91.0	30.0	51.0	6.0	160.0/35993
M160F7-F-200	200.0	80.0	98.0	47.5	18.0	99.0	30.0	51.0	8.0	160.0/35993
M224F9-F-200	200.0	90.0	105.0	44.5	26.0	112.0	35.0	60.0	8.0	224.0/50390

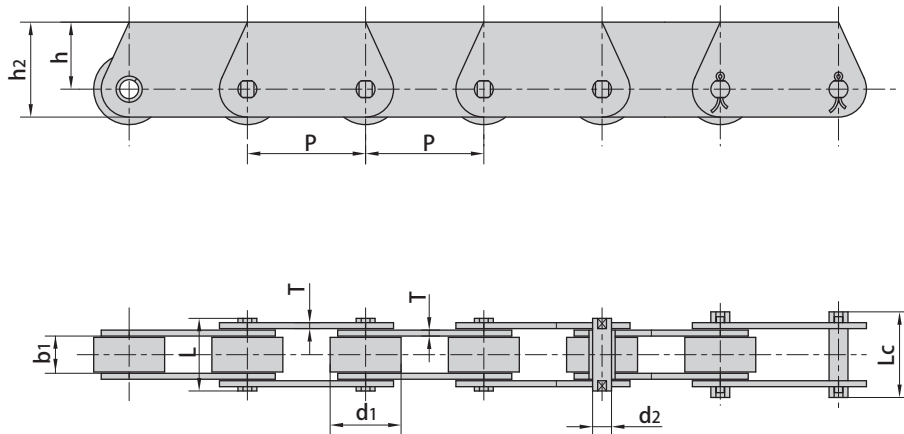
Donghua Chain No.	P	L1	G	F	W	h4	d4
	mm	mm	mm	mm	mm	mm	mm
M160F6-F-200	200.0	95.0	160.0	32.0	55.0	85.0	11.0
M160F7-F-200	200.0	95.0	160.0	36.0	59.0	85.0	11.0
M224F9-F-200	200.0	120.0	160.0	35.0	50.0	85.0	12.0



Donghua Chain No.	P	L1	W	t
	mm	mm	mm	mm
P152F13	152.4	60.0	101.0	16.0

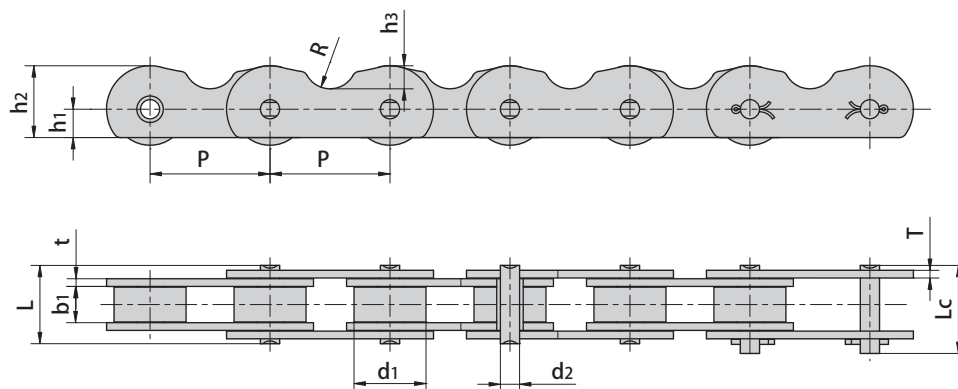
Donghua Chain No.	Pitch	Roller diameter	Width between inner plates	Pin diameter	Pin length		Plate depth		Plate thickness	Ultimate tensile strength
	P	d1 max	b1 min	d2 max	L max	Lc max	h1 max	h2 max	T max	Q min
	mm	mm	mm	mm	mm	mm	mm	mm	mm	kN/lbf
P152F13	152.4	63.4	35.0	18.0	77.0	83.0	26.9	65.0	8.0	160.0/36364

Conveyor chains with attachments

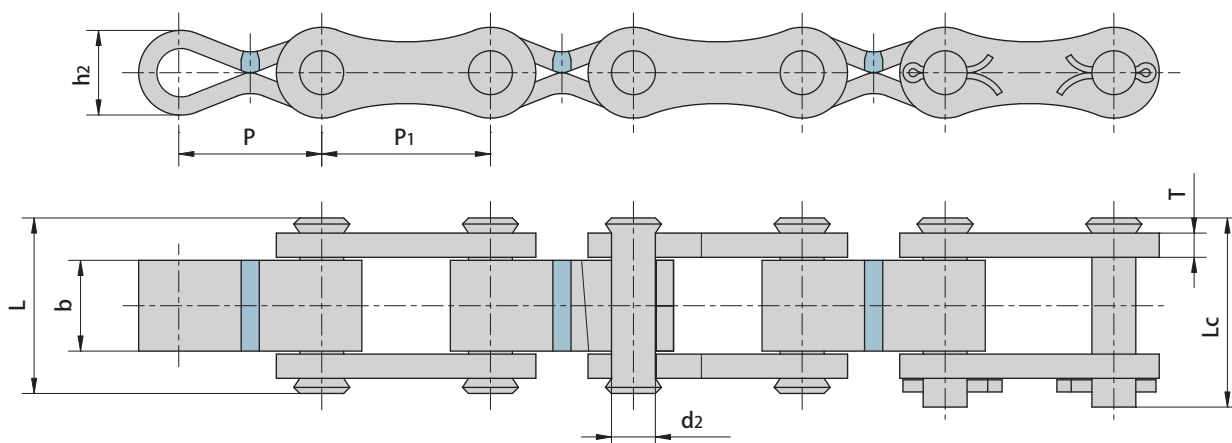


Donghua Chain No.	Pitch	Roller diameter	Width between inner plates	Pin diameter	Pin length		Plate depth		Plate thickness	Ultimate tensile strength	Weight per meter
	p	d1 max	b1 min	d2 max	L max	Lc max	h max	h2 max	T max	Q min	q
	mm	mm	mm	mm	mm	mm	mm	mm	mm	kN/lbf	kg/m
P31.75F1	31.75	19.05	9.80	5.08	19.2	22.5	18.0	25.5	1.60	20.0/4545	1.48
P63F10	63.00	42.00	23.00	11.11	50.0	53.0	29.4	44.4	4.80	80.0/17997	8.32
P100F59	100.00	40.00	25.00	14.50	61.0	67.5	23.0	40.0	6.30	100.0/22496	7.98
P101.6F10	101.60	50.00	30.00	14.27	64.0	68.5	30.0	50.0	6.40	180.0/40909	11.56
P152F49	152.40	63.50	34.00	15.60	-	82.0	38.1	65.0	8.00	160.0/35993	16.30
P160F2	160.00	60.00	38.00	20.00	-	80.0	36.0	60.0	6.00	190.0/43181	12.57
P160F44	160.00	60.00	38.00	20.00	72.0	78.0	35.0	60.0	6.00	190.0/42700	12.30
P300F23	300.00	65.00	37.10	15.90	-	90.0	40.0	63.5	9.50	213.0/47884	13.60
MT18F1-S-50	50.00	18.00	11.50	5.72	25.5	28.2	10.0	17.5	2.50	18.0/4050	1.36
MT18F3-P-50	50.00	25.00	11.50	5.72	24.0	26.4	16.5	25.0	2.03	18.0/4050	2.00
MT40F-P-50	50.00	31.00	15.00	10.00	36.0	39.0	17.5	30.0	4.00	40.0/9000	4.33
MT28F1-P-63	63.00	30.00	18.00	7.00	34.0	37.5	20.0	30.0	3.00	28.0/6300	3.40
MT40F1-P-63	63.00	30.00	16.00	8.50	37.0	40.0	19.0	30.0	4.00	40.0/9000	3.90
MT80F2-P-63	63.00	30.00	25.00	7.00	45.2	48.7	20.0	30.0	4.00	35.0/7875	4.58
MT40F3-P-80	80.00	36.00	20.00	8.50	42.5	46.5	22.5	35.0	4.00	40.0/9000	4.81
MT40F-P-100	100.00	31.00	15.00	10.00	36.0	39.0	17.5	30.0	4.00	40.0/8992	3.14
MT80F4-P-100	100.00	50.00	28.00	14.35	55.0	59.5	32.5	57.5	5.00	120.0/26977	9.38
MT56F1-B-100	100.00	15.00	24.00	10.00	46.0	49.5	35.0	50.0	4.00	56.0/12600	3.38
MT80F2-P-100	100.00	50.00	28.00	14.35	55.0	59.5	32.5	51.5	5.00	120.0/26995	9.56
MT315F3-P-250	250.00	85.00	57.20	24.00	119.7	119.7	53.0	84.8	9.50	315.0/70815	19.85

Conveyor chains with attachments

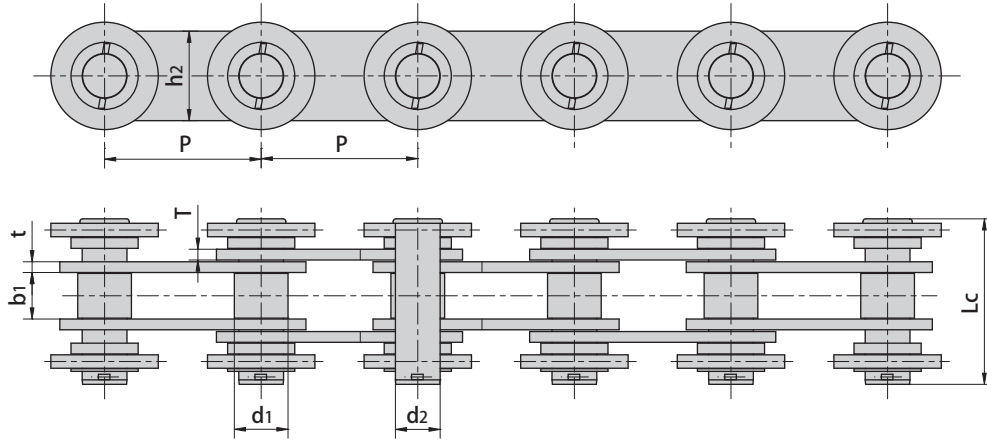


Donghua Chain No.	Pitch	Roller diameter	Width between inner plates	Pin diameter		Pin length		Inner plate depth	Plate thickness	Attachment dimension			Ultimate tensile strength	Average tensile strength	Weight per meter
	p	d1 max	b1 min	d2 max	L max	Lc max	h2 max	t/T max	h1	h3	R	Q min	Q0	q	
	mm	mm	mm	mm	mm	mm	mm	mm	mm	mm	mm	kN/lbf	kN	kg/m	
P31.75F11	31.75	19.05	9.4	5.08	20.7	23.3	19.0	2.0	7.5	6.1	7.0	21.8/4900	25.0	1.55	

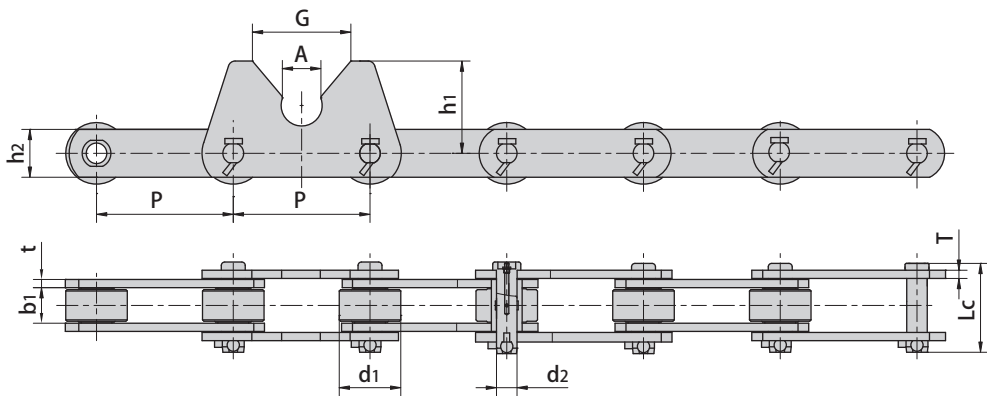


Donghua Chain No.	Pitch		Pin diameter	Pin length		Plate depth	Plate thickness	Attachment dimension	Ultimate tensile strength
	P	P1	d2 max	L max	Lc max	h2	T max	b	Q min
	mm	mm	mm	mm	mm	mm	mm	mm	kN/lbf
P47.25/55.75	47.25	55.75	14.5	59.0	62.5	28.0	8.0	30.0	130.0/28225

Conveyor chains with attachments



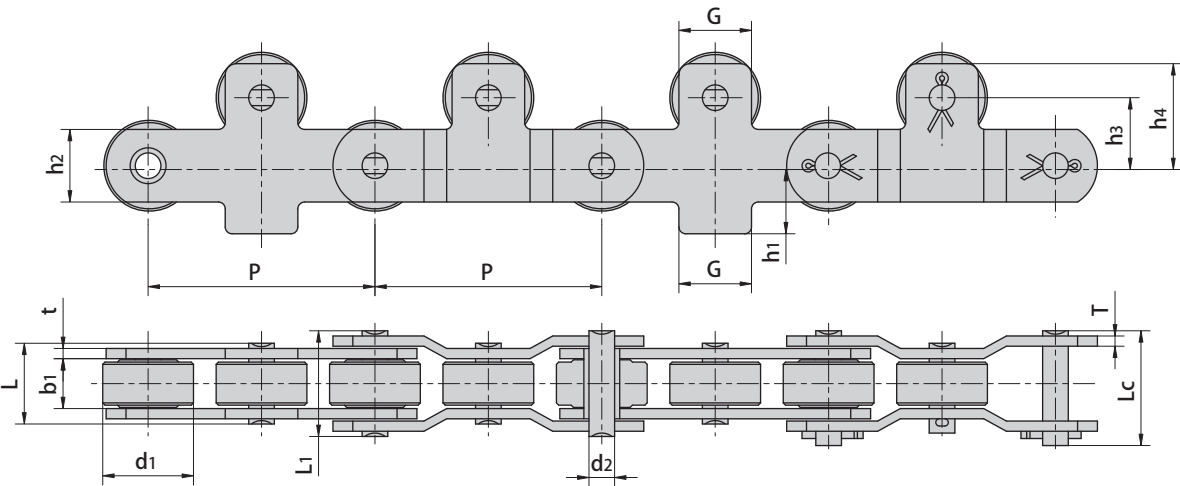
Donghua Chain No.	Pitch	Roller diameter	Width between inner plates	Pin diameter	Pin length	Plate depth	Plate thickness	Ultimate tensile strength	Average tensile strength	Weight per meter
	P	d1 max	b1 min	d2 max	Lc max	h2 max	t/T max	Q min	Q0	q
	mm	mm	mm	mm	mm	mm	mm	kN/lbf	kN	kg/m
P175F1	175.0	60.0	52.0	50.0	176.0	100.0	12.0	366.0/82280	400.0	25.5



Donghua Chain No.	Pitch	Roller diameter	Width between inner plates	Pin diameter	Pin length	Plate depth	Plate thickness	Ultimate tensile strength	Average tensile strength	Weight per meter
	P	d1 max	b1 min	d2 max	Lc max	h2 max	t/T max	Q min	Q0	q
	mm	mm	mm	mm	mm	mm	mm	kN/lbf	kN	kg/m
P200F60	200.0	90.0	52.0	30.0	132.0	70.0	12.0	530.0/119148	609.0	36.9

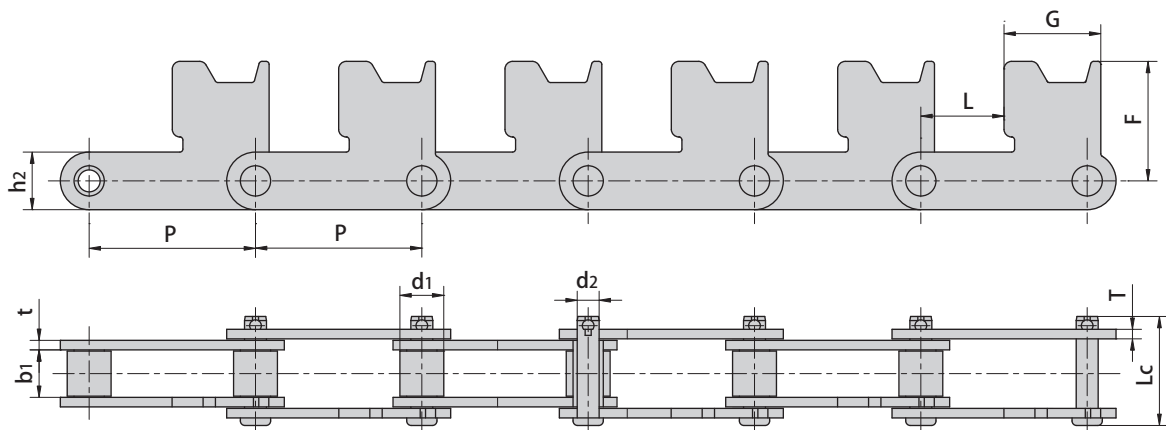
Donghua Chain No.	G	A	h1
	mm	mm	mm
P200F60	144.0	56.6	135.0

Conveyor chains with attachments



Donghua Chain No.	Pitch	Roller diameter	Width between inner plates	Pin diameter	Pin length			Plate depth	Plate thickness	Ultimate tensile strength	Average tensile strength	Weight per meter
	P	d1 max	b1 min	d2 max	L max	L1 max	Lc max	h2 max	t/T max	Q min	Q0	q
	mm	mm	mm	mm	mm	mm	mm	mm	mm	kN/lbf	kN	kg/m
P100F126	100.0	40.0	22.0	11.3	36.5	47.0	51.0	32.0	4.5	70.0/15736	80.0	7.7

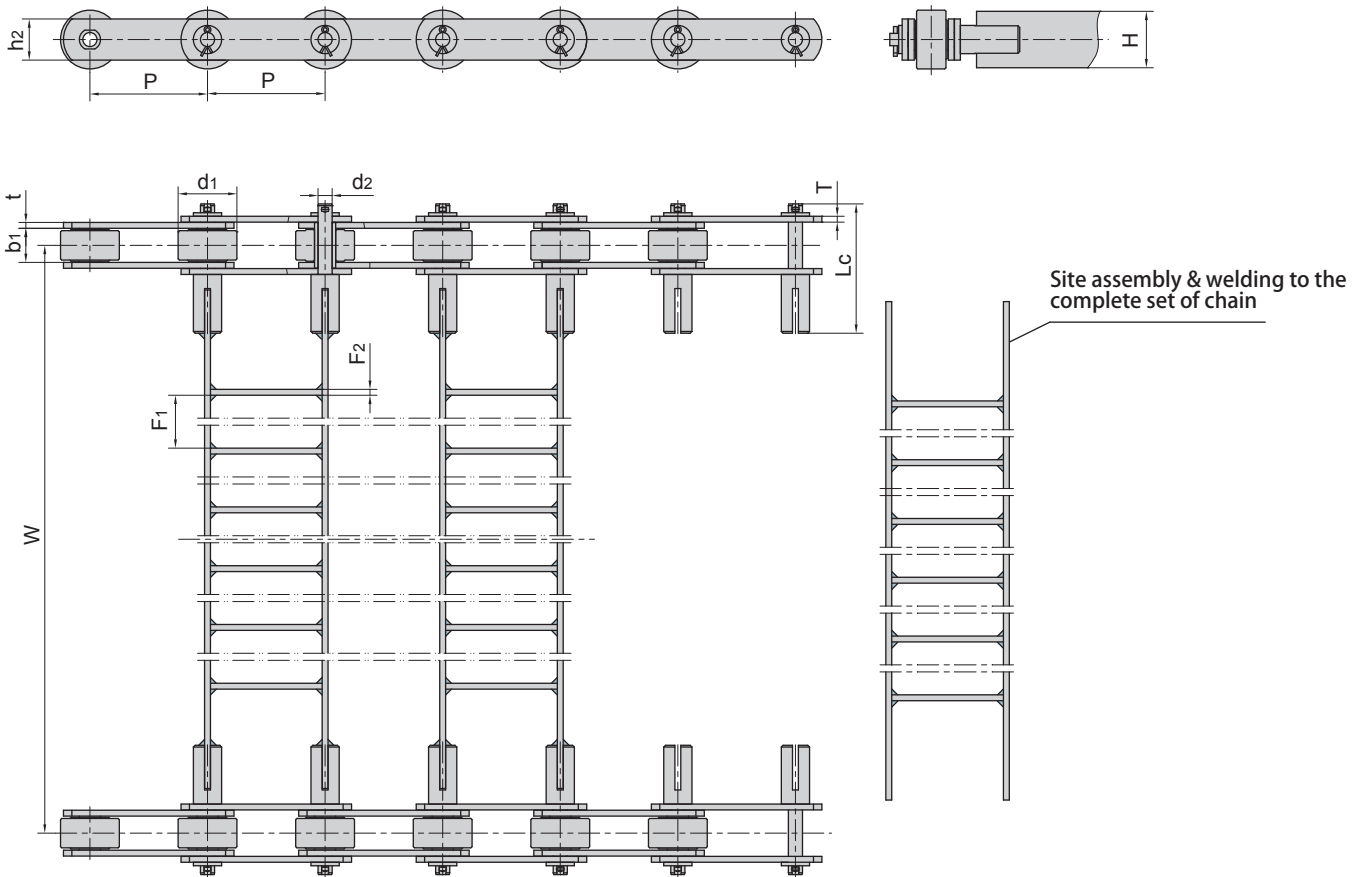
Donghua Chain No.	G	h1	h3	h4
	mm	mm	mm	mm
P100F126	32.0	30.0	30.0	45.0



Donghua Chain No.	Pitch	Roller diameter	Width between inner plates	Pin diameter	Pin length	Plate depth	Plate thickness	Attachment dimension			Ultimate tensile strength	Average tensile strength	Weight per meter
	P	d1 max	b1 min	d2 max	Lc max	h2 max	t/T max	F	G	L	Q min	Q0	q
	mm	mm	mm	mm	mm	mm	mm	mm	mm	mm	kN/lbf	kN	kg/m
P110F5	110.0	29.0	30.4	14.5	72.1	38.1	6.3	79.05	64.0	55.0	229.0/51484	250.0	8.3

Conveyor chains with attachments

CONVEYOR CHAINS

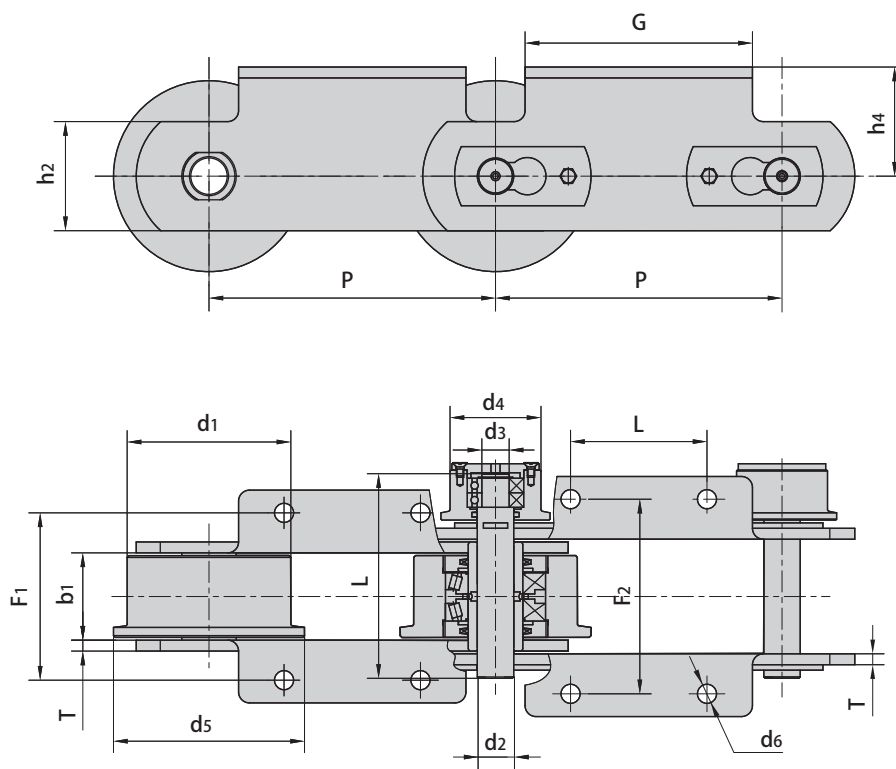


Donghua Chain No.	Pitch	Roller diameter	Width between inner plates	Pin diameter	Pin length	Plate depth	Plate thickness	Ultimate tensile strength	Average tensile strength	Weight per meter
	P mm	d1 max mm	b1 min mm	d2 max mm	Lc max mm	h2 max mm	t/T max mm	Q min kN/lbf	Q0 kN	q kg/m
P100F145	100.0	50.0	28.0	11.9	110.0	35.0	5.0	80.0/17984	88.0	38.4

Donghua Chain No.	W	F1	F2	H
	mm	mm	mm	mm
P100F145	900.0	125.0	5.0	48.0

Conveyor chains with attachments

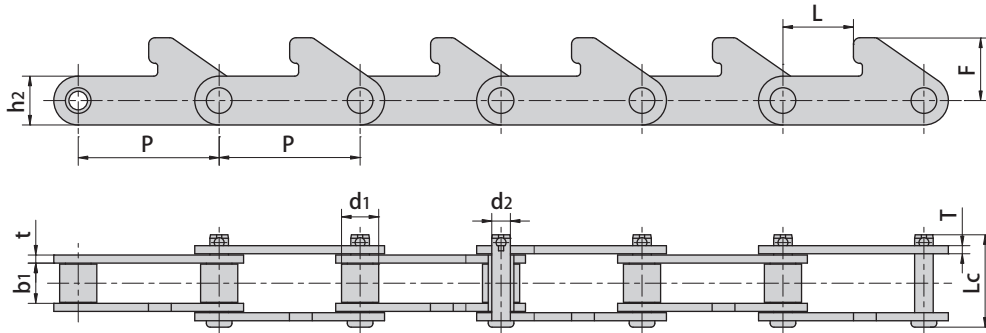
P315 conveyor chain



Donghua Chain No.	P	L	G	F1	F2	h4	h2	d6	T
	mm	mm	mm	mm	mm	mm	mm	mm	mm
P315	315	150.0	250.0	180.0	206.0	120.0	120.0	21.0	12.0

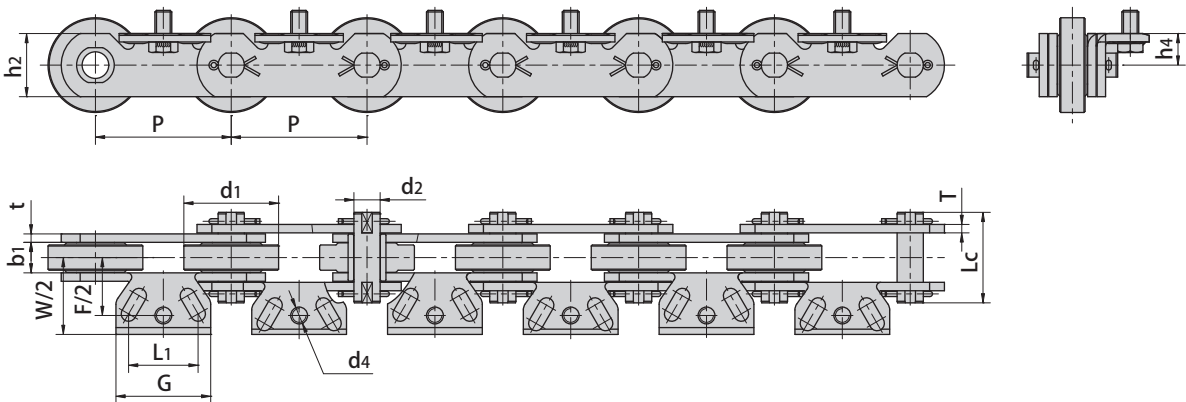
Donghua Chain No.	Pitch	Roller diameter			Width between inner plates	Pin diameter		Pin length	Ultimate tensile strength	Average tensile strength
	P	d1 max	d4 max	d5 max	b1 min	d2 max	d3 max	L1 max	Q min	Q0
	mm	mm	mm	mm	mm	mm	mm	mm	kN/lbf	kN
P315	315	180.0	100.0	210.0	90.0	40.0	30.0	217.0	100.0/22727	110.0

Conveyor chains with attachments



Donghua Chain No.	Pitch	Roller diameter	Width between inner plates	Pin diameter	Pin length	Plate depth	Plate thickness	Attachment dimension		Ultimate tensile strength	Average tensile strength	Weight per meter
	P	d1 max	b1 min	d2 max	Lc max	h2 max	t/T max	F	L	Q min	Q0	q
	mm	mm	mm	mm	mm	mm	mm	mm	mm	kN/lbf	kN	kg/m
P110F6	110.0	29.0	30.4	14.5	72.1	38.1	6.3	49.05	55.0	229.0/51484	250.0	7.0

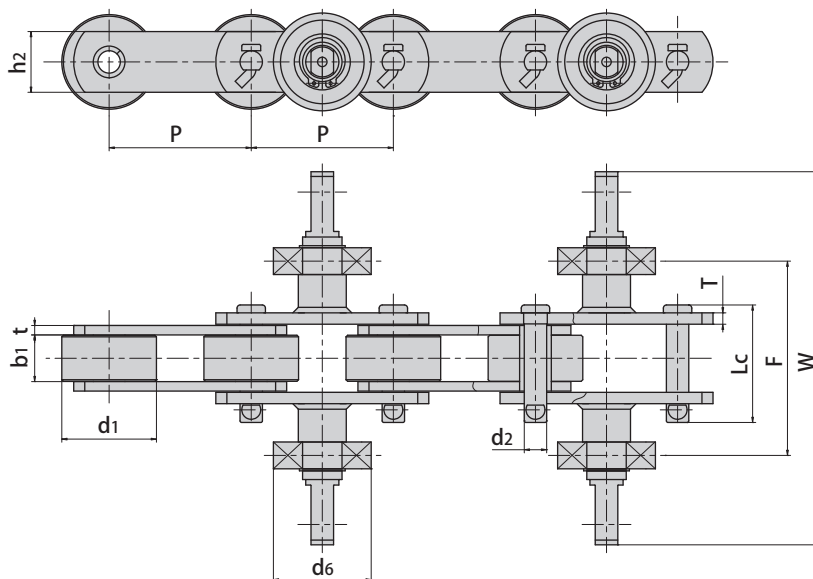
Bottle washer conveyor chain



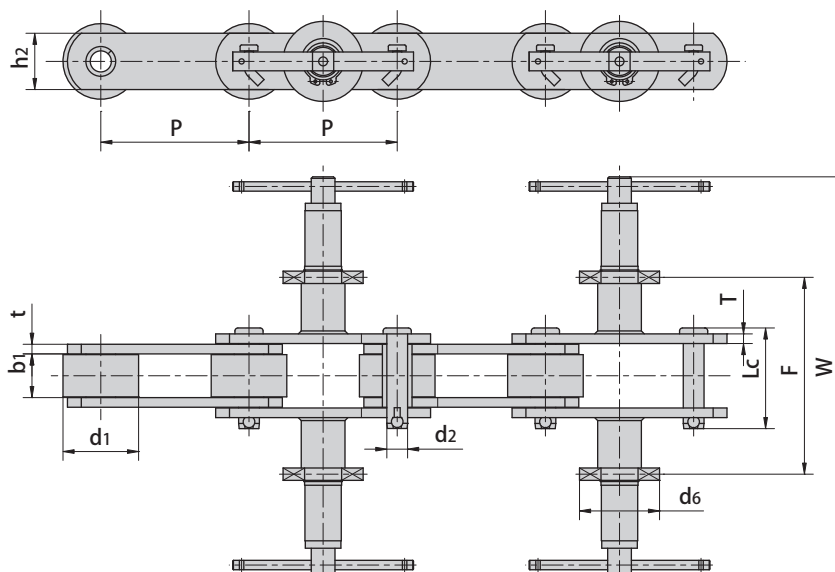
Donghua Chain No.	Pitch	Roller diameter	Width between inner plates	Pin diameter	Pin length	Plate depth	Plate thickness	Ultimate tensile strength	Average tensile strength	Weight per meter
	p	d1 max	b1 min	d2 max	Lc max	h2 max	t/T max	Q min	Q0	q
	mm	mm	mm	mm	mm	mm	mm	kN/lbf	kN	kg/m
P129A1F1-P	129.0	90.0	29.0	24.9	86.0	60.0	8.0	350.0/78683	385.0	22.6

Donghua Chain No.	L1	G	F	W	h4	d4
	mm	mm	mm	mm	mm	mm
P129A1F1-P	66.0	90.0	110.0	146.0	30.0	M16

Rubber gloves carrier chains

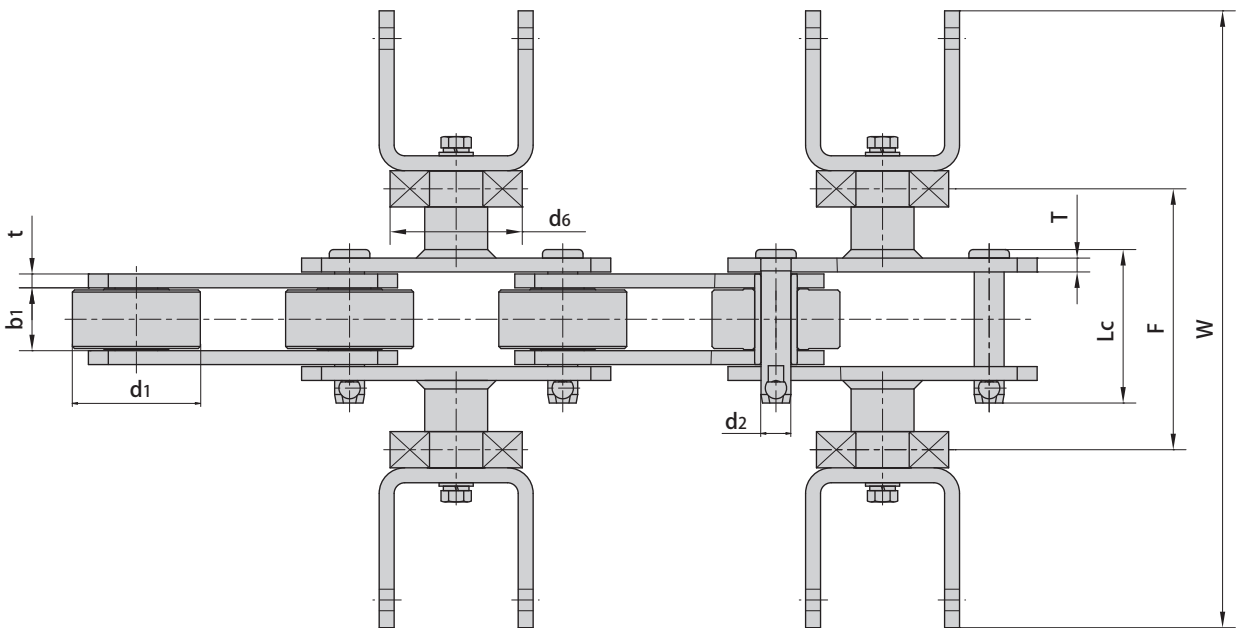
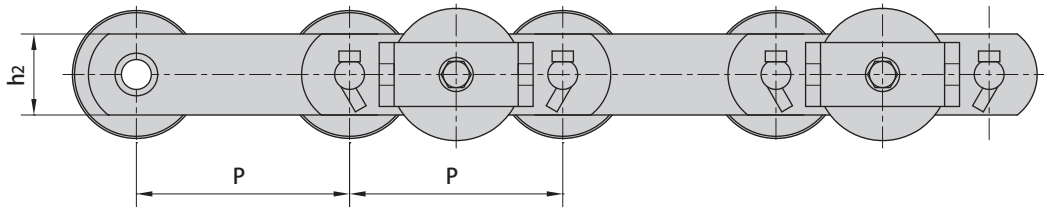


Donghua Chain No.	Pitch	Roller diameter	Width between inner plates	Pin diameter	Pin length	Plate depth	Plate thickness	Attachment dimension			Ultimate tensile strength
	P	d1 max	b1 min	d2 max	Lc max	h2 max	t/T max	F	W	d6	Q min
	mm	mm	mm	mm	mm	mm	mm	mm	mm	mm	kN/lbf
P90F1	90.0	60.0	29.5	14.2	74.5	38.5	6.0/7.0	121.5	236.6	62.0	112.0/25178



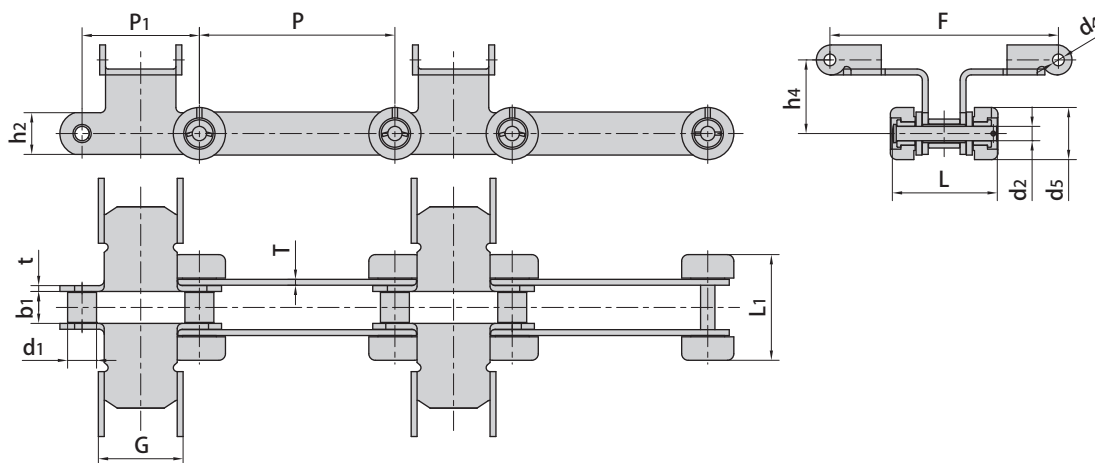
Donghua Chain No.	Pitch	Roller diameter	Width between inner plates	Pin diameter	Pin length	Plate depth	Plate thickness	Attachment dimension			Ultimate tensile strength
	P	d1 max	b1 min	d2 max	Lc max	h2 max	t/T max	F	W	d6	Q min
	mm	mm	mm	mm	mm	mm	mm	mm	mm	mm	kN/lbf
P100F154	100.0	51.0	29.5	14.0	72.0	38.0	6.5	210.0	482.0	62.0	200.0/44961

Rubber gloves carrier chains



Donghua Chain No.	Pitch	Roller diameter	Width between inner plates	Pin diameter	Pin length	Plate depth	Plate thickness	Attachment dimension			Ultimate tensile strength
	P	d1 max	b1 min	d2 max	Lc max	h2 max	t/T max	F	W	d6	Q min
	mm	mm	mm	mm	mm	mm	mm	mm	mm	mm	kN/lbf
P100F155	100.0	60.0	29.5	14.0	72.0	38.0	6.5	122.0	263.0	62.0	200.0/44961

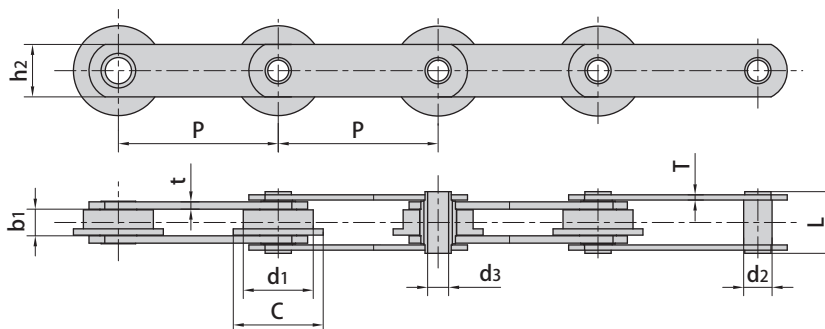
Rubber gloves carrier chains



Donghua Chain No.	Pitch		Roller diameter	Width between inner plates	Pin diameter	Pin length	Plate depth	Plate thickness	Ultimate tensile strength	Weight per meter
	P	P1	d1 max	b1 min	d2 max	L max	h2 max	t/T max	Q min	q
	mm	mm	mm	mm	mm	mm	mm	mm	kN/lbf	kg/m
P100F13	100.0	-	22.23	22.5	10.8	76.5	32.0	6.0/4.5	60/13488	9.32
P100F139	100.0	-	22.00	24.0	12.0	75.0	32.0	6.0	60/13488	11.87
P150/90	150.0	90.0	22.20	24.3	10.8	81.5	32.0	4.5	60/13488	8.10

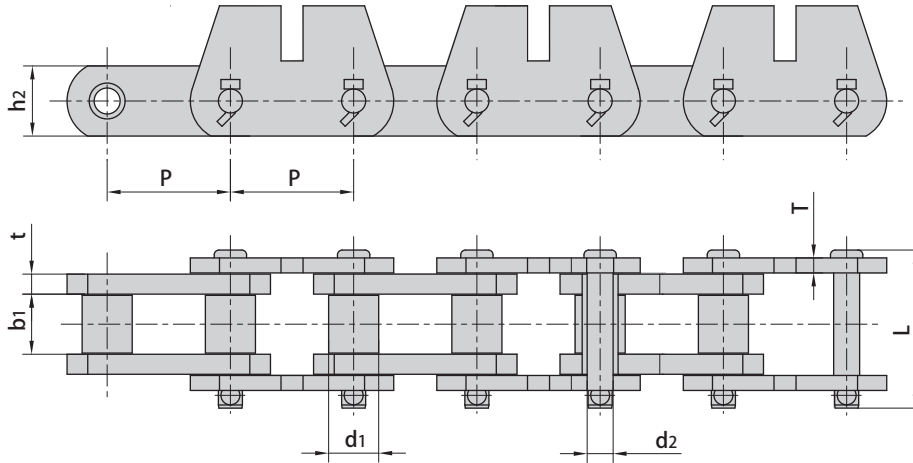
Donghua Chain No.	G	L1	F	h4	d4	d5
	mm	mm	mm	mm	mm	mm
P100F13	74.6	79.5	175.0	56.5	9.2	40.0
P100F139	74.6	83.5	175.0	56.5	9.1	40.0
P150/90	65.0	82.0	175.0	57.0	9.2	40.0

Sewage disposal chains

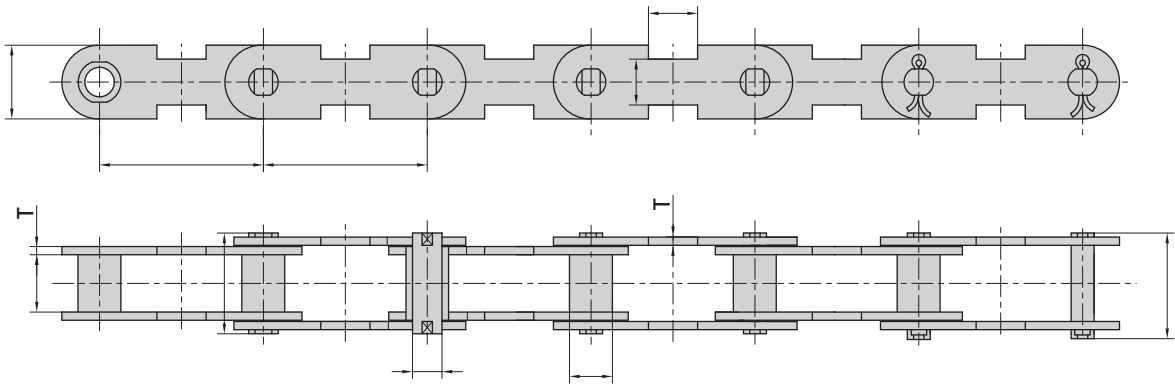


Donghua Chain No.	Pitch	Width between inner plates	Roller diameter	Pin diameter	Pin length	Plate depth	Plate thickness	Ultimate tensile strength	Average tensile strength	Weight per meter			
	P	b1 min	d1 max	C max	d2 max	d3 min	L max	h2 max	T max	t max	Q min	Q0	q
	mm	mm	mm	mm	mm	mm	mm	mm	mm	mm	kN/lbf	kN	kg/m
W152	152.4	25.40	66.7	85.7	27.1	20.0	58.8	50.0	5.0	7.0	110.0/25000	122.1	10.78

Special conveyor chains

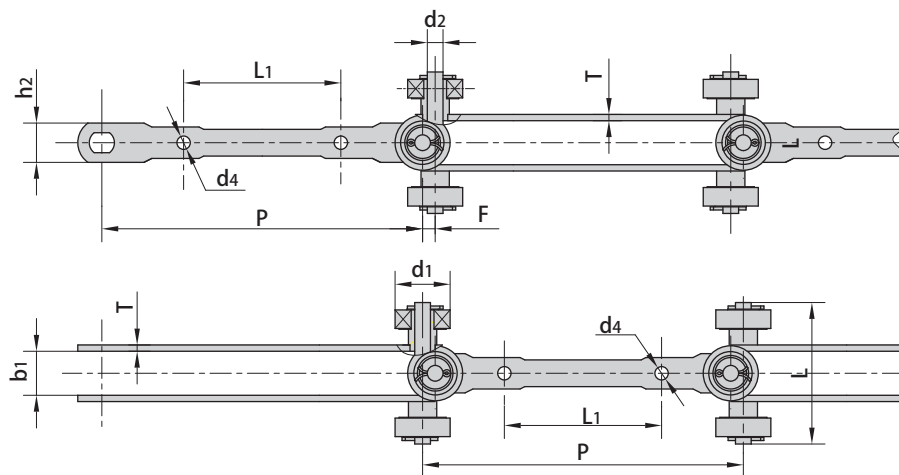


Donghua Chain No.	Pitch	Roller diameter	Width between inner plates	Pin diameter	Pin length	Inner plate depth	Plate thickness	Ultimate tensile strength	Average tensile strength	Weight per meter
	P	d1 max	b1 min	d2 max	L max	h2 max	t/T max	Q min	Q ₀	q
	mm	mm	mm	mm	mm	mm	mm	kN/lbf	kN	kg/m
P78.11F10	78.105	31.75	38.1	16.46	102.0	44.45	12.7/9.5	333.4/75000	350.0	16.73
P101.6F28	101.600	38.10	50.8	17.48	122.0	44.45	12.7	266.7/60000	293.3	21.66
P152F18	152.400	69.85	76.2	25.40	152.0	63.50	12.7	500.0/112480	650.0	43.23
P152F24	152.400	69.85	76.2	25.40	152.0	63.50	12.7	565.0/127100	650.0	38.38

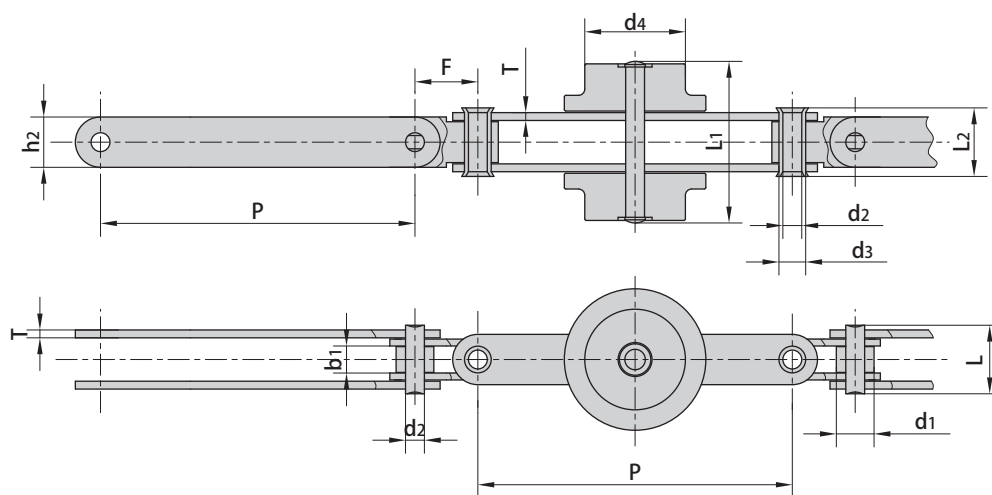


Donghua Chain No.	Pitch	Bush diameter	Width between inner plates	Pin diameter	Pin length		Inner plate depth	Plate thickness	Attachment dimension		Ultimate tensile strength	Weight per meter
	P	d1 max	b1 min	d2 max	L max	L _c max	h2 max	T max	H	L ₁	Q min	q
	mm	mm	mm	mm	mm	mm	mm	mm	mm	mm	kN/lbf	kg/m
P100F49	100.0	20.0	25.0	14.0	51.5	55.0	35.0	5.0	30.0	28.0	90.0/20250	4.02
P100F54	100.0	26.0	35.0	18.0	65.5	71.0	45.0	6.0	30.0	28.0	100.0/22500	6.90

Universal movement conveyor chains

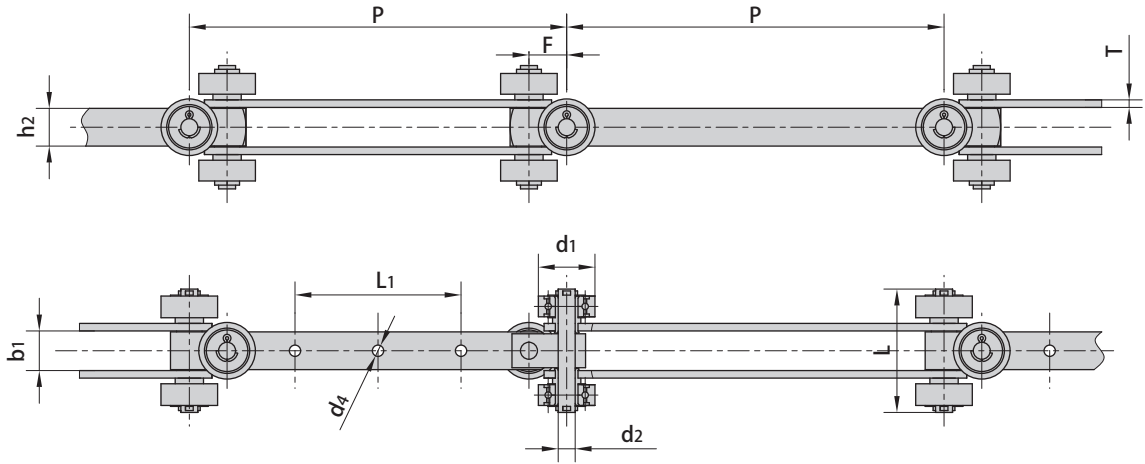


Donghua Chain No.	Pitch	Roller diameter	Width between outer plates	Pin diameter	Pin length	plate dimension		Attachment dimension			Ultimate tensile strength
	P	d1 max	b1 min	d2 max	L max	h2 max	T max	L1	d4	F	Q min
	mm	mm	mm	mm	mm	mm	mm	mm	mm	mm	kN/lbf
P210	204.0	35.0	27.5	10.0	90.0	25.0	4.0	100.0	8.5	8.0	50.0/11364
SJ406S-50	203.2	35.0	27.5	10.0	90.0	25.0	4.0	100.0	8.5	11.0	50.0/11364

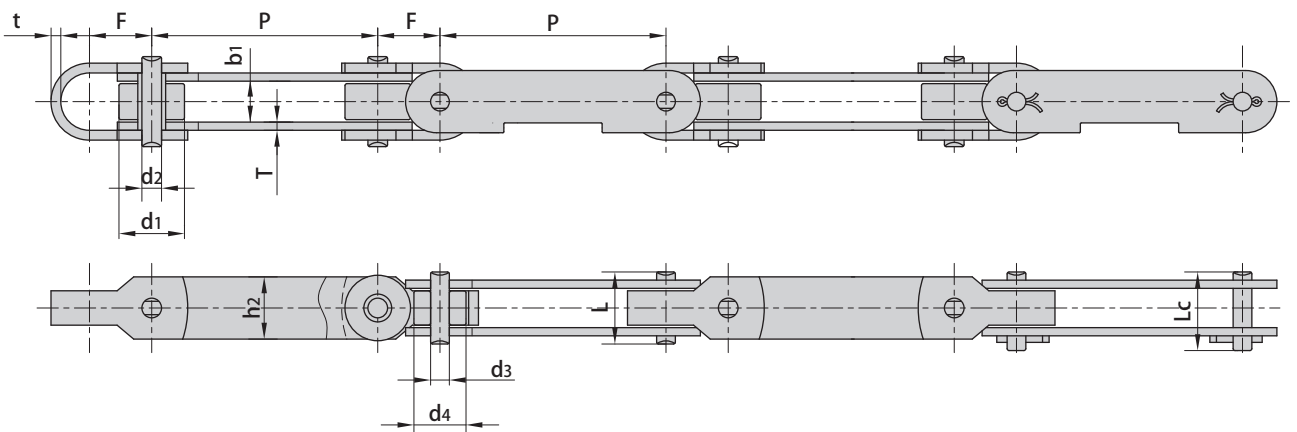


Donghua Chain No.	Pitch	Roller diameter		Width between inner plates	Pin diameter		Pin length			Plate dimension		Attachment dimension	Ultimate tensile strength
	P	d1 max	d4 max	b1 min	d2	d3	L max	L1 max	L2 max	h2 max	T max	F	Q min
	mm	mm	mm	mm	mm	mm	mm	mm	mm	mm	mm	mm	kN/lbf
P100F11	100.0	12.0	32.0	8.6	6.0	8.5	22.0	53.0	22.0	16.0	2.5	20.0	20.0/4545

Universal movement conveyor chains

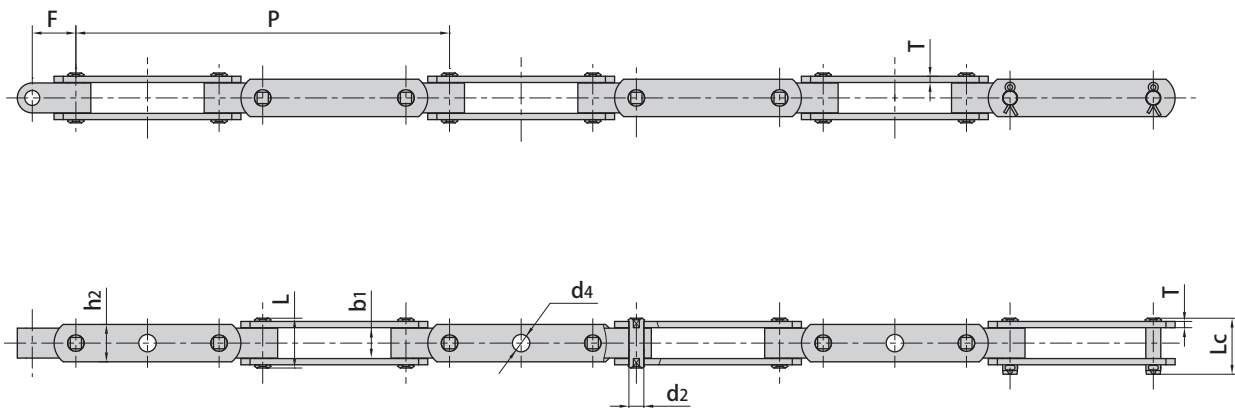


Donghua Chain No.	Pitch	Roller diameter	Width between outer plates	Pin diameter	Pin length	plate dimension		Attachment dimension			Ultimate tensile strength
	p	d1 max	b1 min	d2 max	L max	h2 max	T max	L1	d4	F	Q min
	mm	mm	mm	mm	mm	mm	mm	mm	mm	mm	kN/lbf
SJ400-40	200.0	30.0	20.0	9.0	65.0	20.0	3.0	88.0	6.44	20.0	15.0/3374
SJ400-60	200.0	35.0	21.0	10.0	64.5	20.0	4.0	88.0	6.50	20.0	60.0/13497
SJ400-100	200.0	40.0	26.0	14.0	75.0	30.0	4.0	88.0	10.00	25.0	100.0/22495
SJ405S-60	203.2	47.0	30.0	14.0	95.0	30.0	4.0	76.2	8.40	16.5	50.0/11247
SJ400F3-120	200.0	45.0	31.0	14.0	102.0	30.0	6.0	85.0	10.5	20.0	100.0/22495



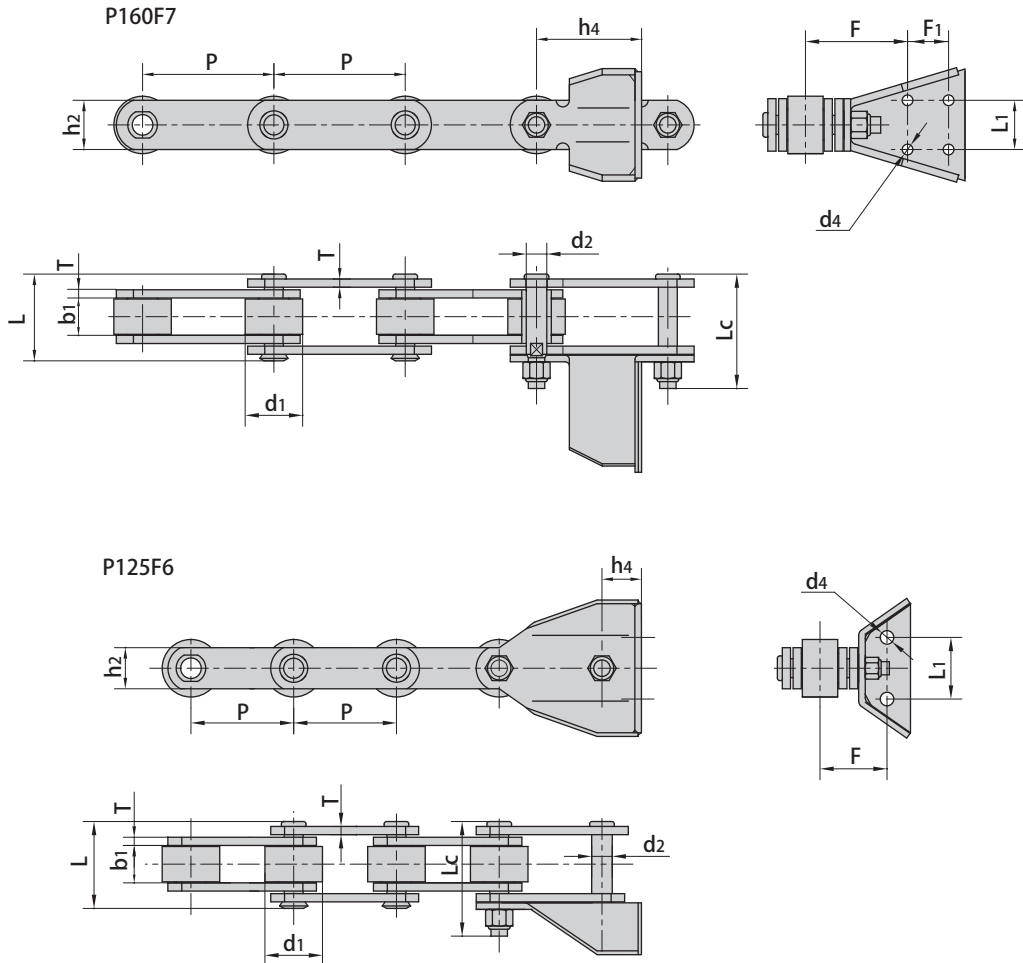
Donghua Chain No.	Pitch	Roller diameter		Width between inner plates	Pin diameter		Pin length		plate dimension		Attachment dimension		Ultimate tensile strength
	p	d1 max	d4 max	b1 min	d2	d3	L max	Lc max	h2 max	T max	F	t	Q min
	mm	mm	mm	mm	mm	mm	mm	mm	mm	mm	mm	mm	kN/lbf
P69F2	69.0	20.0	15.9	8.6	6.0	5.72	22.0	24.0	19.0	2.5	19.0	3.0	20.0/4545

Universal movement conveyor chains



Donghua Chain No.	Pitch	Width between outer plates	Pin diameter	Pin length		plate depth	plate thickness	Attachment dimension		Ultimate tensile strength	Average tensile strength	Weight per meter
	P mm	b1 min mm	d2 max mm	L max mm	Lc max mm	h2 max mm	T max mm	F mm	d4 mm	Q min kN/lbf	Q0 kN	q kg/m
SJ250F3	250.0	24.6	12.0	40.0	45.0	30.0	5.0	35.0	14.0	90/20230	94.0	4.41
SJ250F4	250.0	31.0	16.0	48.0	53.0	35.0	6.0	35.0	18.0	150/33720	160.0	6.90
SJ300F3	300.0	24.6	12.0	40.0	45.0	30.0	5.0	35.0	14.0	90/20230	94.0	4.02
SJ300F4	300.0	31.0	16.0	48.0	53.0	35.0	6.0	35.0	18.0	150/33720	160.0	6.22

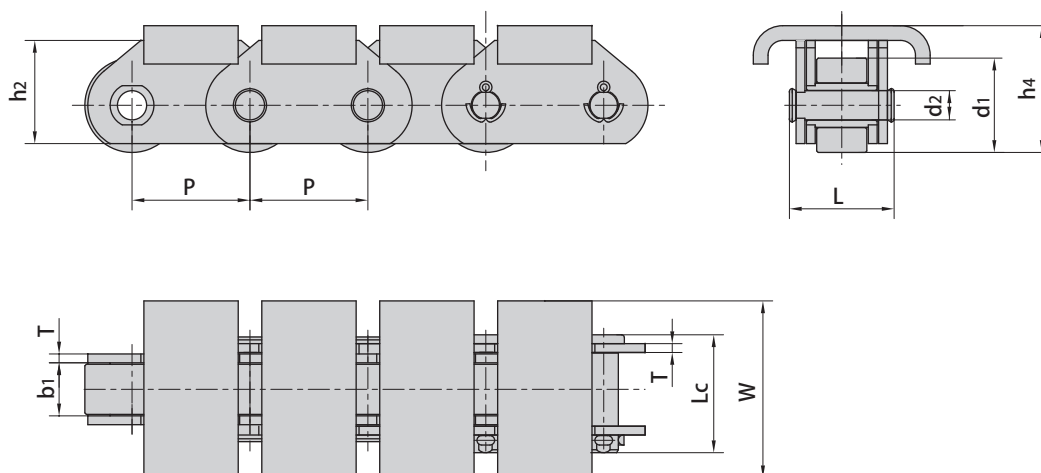
Welded conveyor chains



Donghua Chain No.	P	L1	F	d4	h4	F1
	mm	mm	mm	mm	mm	mm
P125F6	125.0	75.0	77.5	16.5	44.0	
P160F7	160.0	60.0	119.5	13.0	130.0	50.0

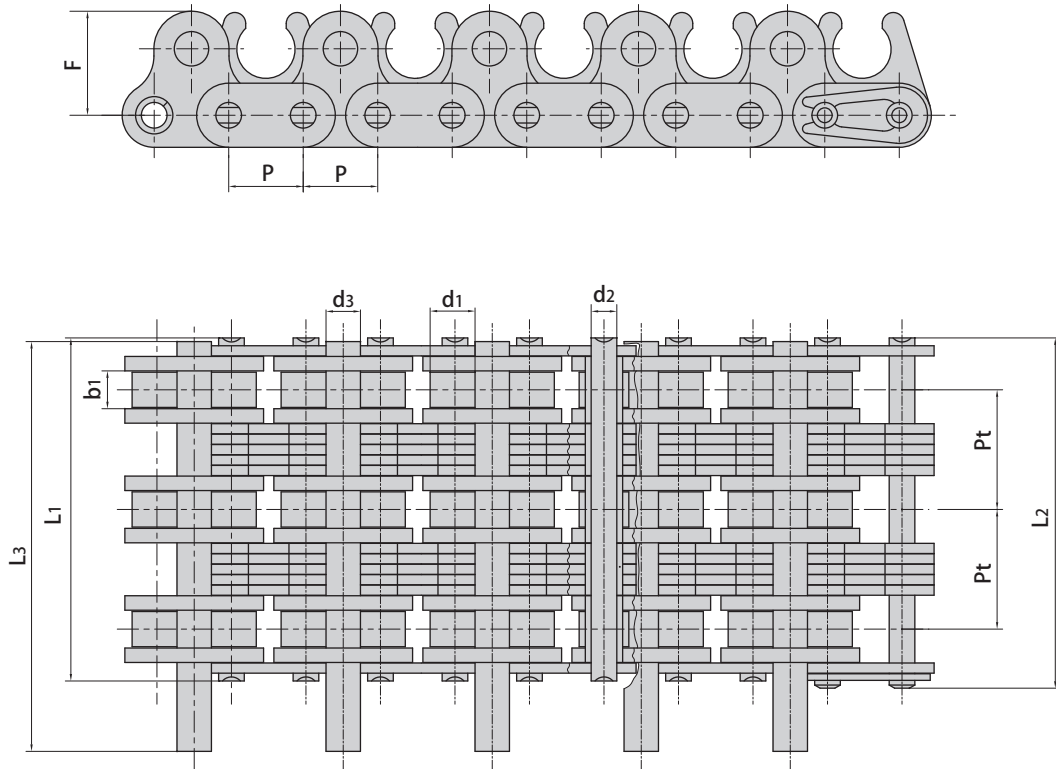
Donghua Chain No.	Pitch	Roller diameter	Width between inner plates	Pin diameter	Pin length		Plate depth	Plate thickness	Ultimate tensile strength
	p	d1 max	b1 min	d2 max	L max	Lc max	h2 max	T max	Q min
	mm	mm	mm	mm	mm	mm	mm	mm	kN/lbf
P125F6	125.0	70.0	45.0	20.0	90.0	122.0	50.0	8.0	250/56818
P160F7	160.0	70.0	45.0	25.0	99.0	136.0	60.0	10.0	400/90908

Welded conveyor chains



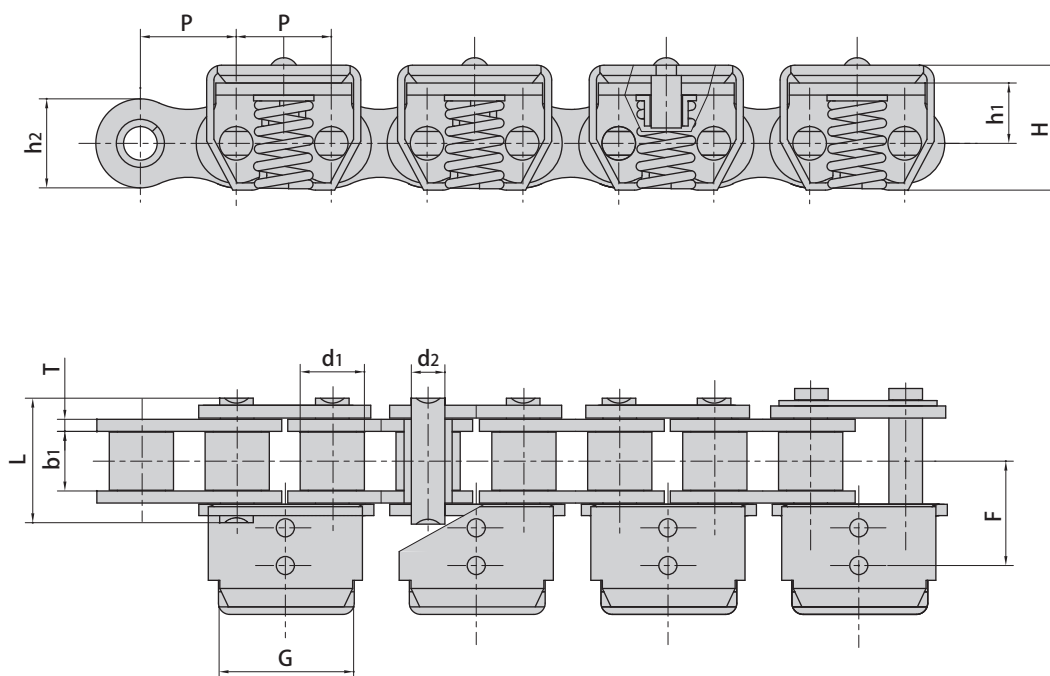
Donghua Chain No.	Pitch	Roller diameter	Width between inner plates	Pin diameter	Pin length		Plate depth	Plate thickness	Attachment dimension		Ultimate tensile strength	Weight per meter
	P mm	d1 max mm	b1 min mm	d2 max mm	L max mm	Lc max mm	h2 max mm	T max mm	W mm	h4 mm	Q min kN/lbf	q kg/m
P40F3	40.0	32.0	18.0	10.00	36.1	40.2	35.0	3.0	60.0	43.00	40.0/9091	7.27
P40F5	40.0	32.0	18.0	10.00	36.1	40.2	35.0	3.0	59.5	42.00	40.0/9091	7.16
P63F6	63.0	48.0	25.0	14.00	52.0	57.0	45.0	5.0	130.0	56.50	63.0/14172.3	16.22
P63F9	63.0	48.0	25.0	14.00	52.0	57.0	45.0	5.0	80.0	56.50	63.0/14172.3	13.66
P63F26	63.0	48.0	14.0	14.00	56.0	61.0	45.0	6.0	95.0	56.50	70.0/15736	14.10
P76.2F19	76.2	38.1	27.5	11.10	59.1	63.5	35.0	6.4	63.5	50.05	150/33721	11.35
P76.2F27	76.2	47.6	19.0	19.05	69.5	77.0	50.0	10.0	82.0	78.80	90/20232	15.47

Roller chains for textile machinery



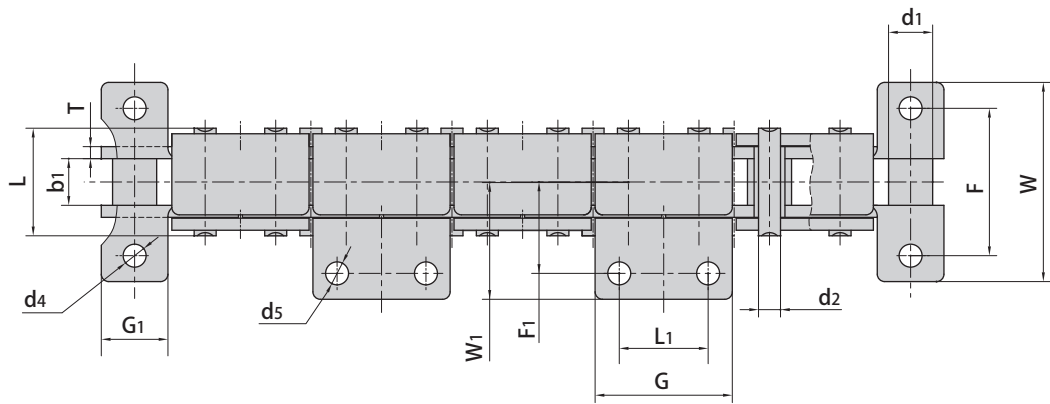
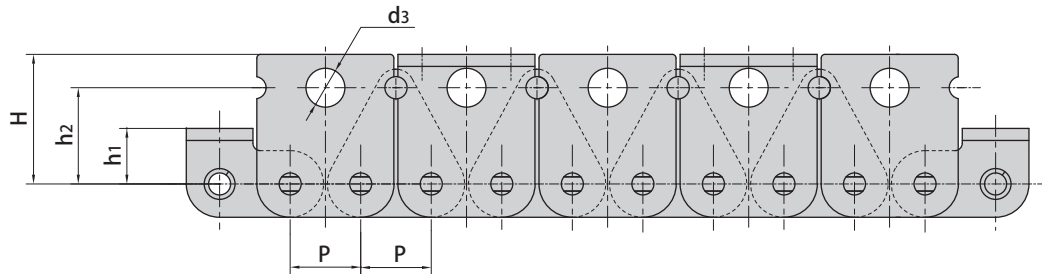
Donghua Chain No.	Pitch	Roller diameter	Width between inner plates	Pin diameter		Pin length			Attachment dimension	Transverse pitch	Ultimate tensile strength	Weight per meter
	P	d1 max	b1 min	d2 max	d3 max	L1 max	L2 max	L3 max	F	Pt	Q min	q
	mm	mm	mm	mm	mm	mm	mm	mm	mm	mm	kN/lbf	kg/m
06BF20	9.525	6.35	4.6	3.28	4.45	43.75	44.85	52.4	13.0	15.0	24.9/5682	2.77

Roller chains for folio transport (Gripper)



Donghua Chain No.	Pitch	Roller diameter	Width between inner plates	Pin diameter	Pin length	Attachment dimension					Ultimate tensile strength	Weight per meter
	P	d1 max	b1 min	d2 max	L max	h2 max	F	h1	H	T	Q min	q
	mm	mm	mm	mm	mm	mm	mm	mm	mm	mm	kN/lbf	kg/m
08BSSF32	12.7	8.51	7.75	4.45	16.7	11.8	13.8	8.0	16.5	1.6	12.0/2727	1.14

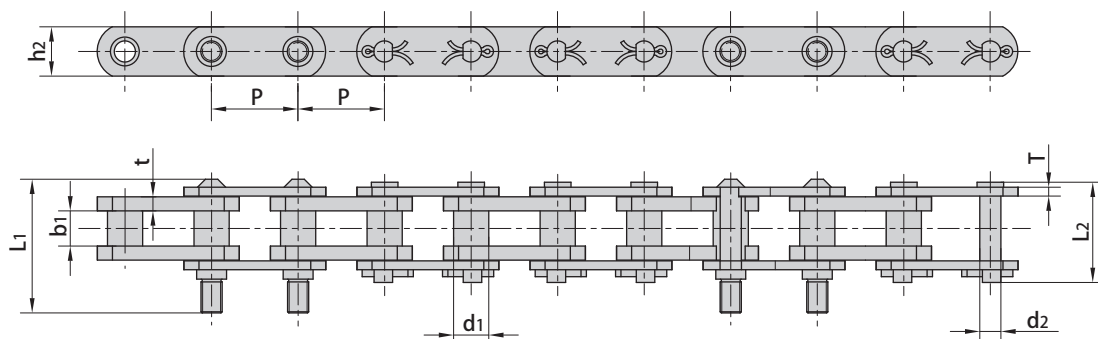
Articulated bottomplate chains



Donghua Chain No.	Pitch	Roller diameter	Width between inner plates	Pin diameter	Pin length	Ultimate tensile strength	Weight per meter
	P	d1 max	b1 min	d2 max	L max	Q min	q
	mm	mm	mm	mm	mm	KN/lbf	kg/m
12AH-TB35	19.05	11.91	12.57	5.94	29.2	31.8/7227	4.35

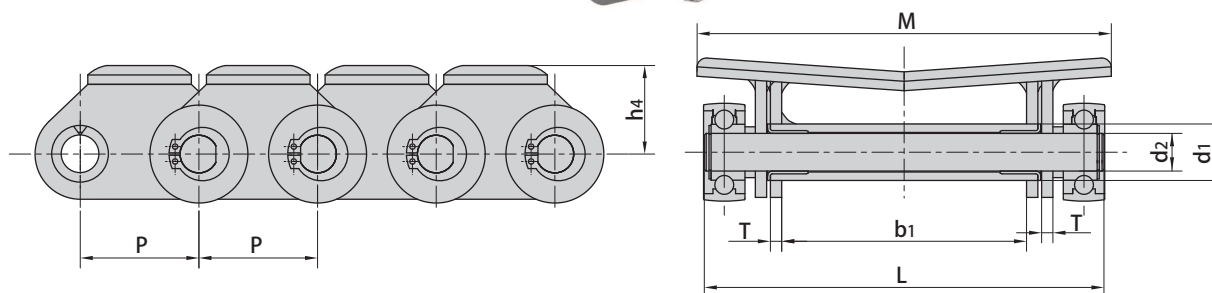
Donghua Chain No.	H	h2	d3	F	W	G1	h1	d4	T	F1	W1	L1	G	d5
	mm	mm	mm	mm	mm	mm	mm	mm	mm	mm	mm	mm	mm	mm
12AH-TB35	35.0	26.0	10.5	40.0	54.0	18.0	15.0	6.2	3.25	24.8	31.8	24.0	37.0	6.2

78PF1 conveyor chains



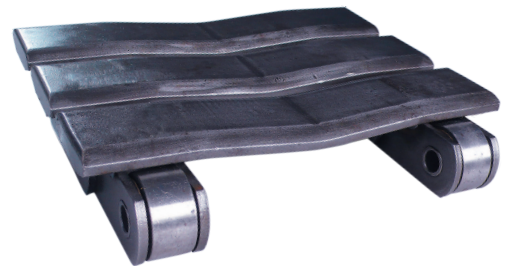
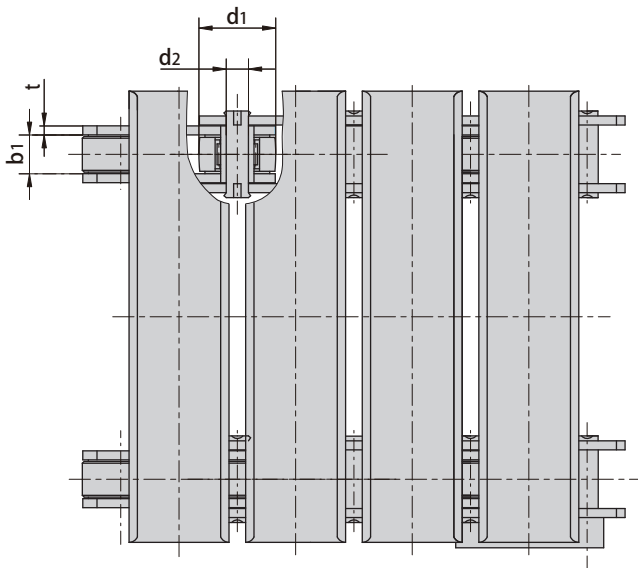
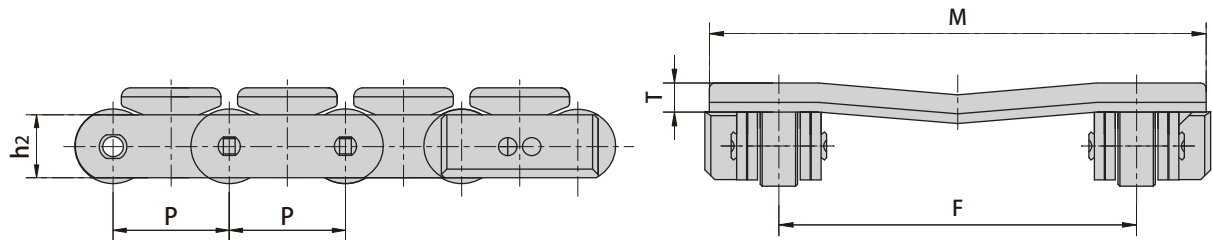
Donghua Chain No.	Pitch	Bush diameter	Width between inner plates	Pin diameter		Pin length		Plate depth	Plate thickness	Ultimate tensile strength	Average tensile strength	Weight per meter
	P	d1 max	b1 min	d2 max	L1 max	L2 max	h2 max	t/T max	Q min	Q0 min	q	
	mm	mm	mm	mm	mm	mm	mm	mm	kN/lbf	kN	kg/m	
78PF1	78.1	31.75	31.75	19.05	122.0	90.5	44.5	12.7/8.0	140.0/31818	166.88	14.22	

Conveyor chains for paper mill



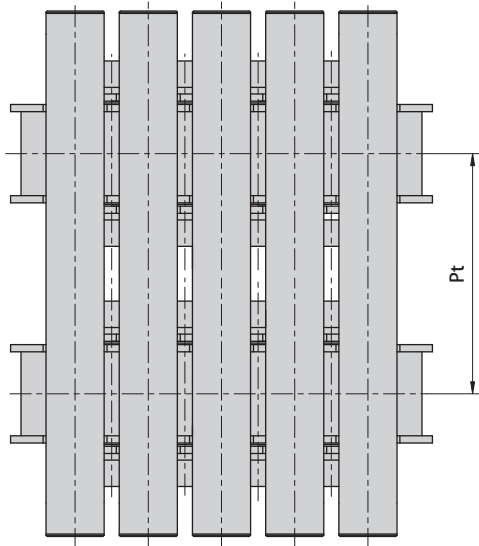
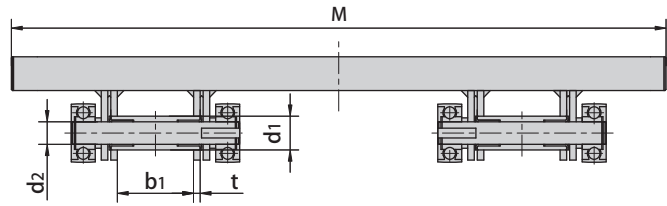
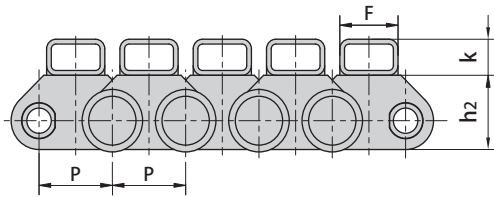
Donghua Chain No.	Pitch	Bush diameter	Width between inner plates	Pin diameter		Pin length	Plate thickness	Attachment dimension		Ultimate tensile strength	Average tensile strength
	P	d1 max	b1 min	d2 max	L max	T max	M	h4	Q min	Q0 min	
	mm	mm	mm	mm	mm	mm	mm	mm	kN/lbf	kN	
63PF2	63.0	30.0	130.0	20.0	213.2	6.0	220.0	50.0	160.0/36364	176.0	

Conveyor chains for paper mill



Donghua Chain No.	Pitch	Width between inner plates	Pin diameter	Roller diameter	Plate depth	Plate thickness	Attachment dimension			Ultimate tensile strength
	P	b1 min	d2 max	d1 max	h2 max	t max	F	T	M	Q min
	mm	mm	mm	mm	mm	mm	mm	mm	mm	kN/lbf
P63F16	63.0	21.5	12.0	42.0	35.0	5.0	180.0	15.0	250.0	120.0/26994
P63F25	63.0	24.0	14.0	42.0	35.0	5.0	180.0	15.0	250.0	100.0/22495

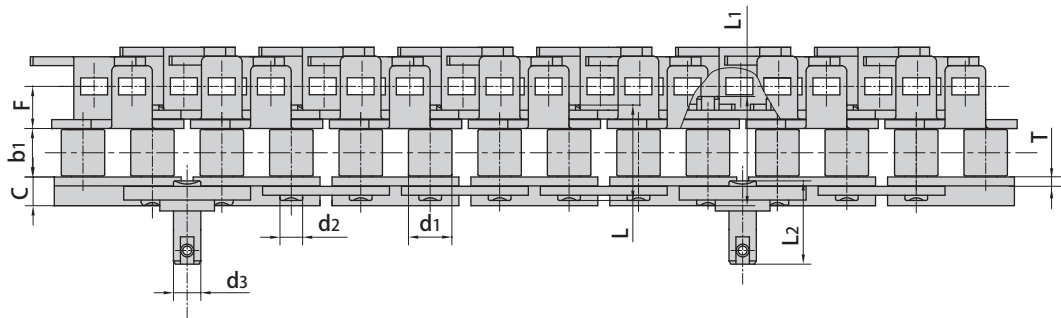
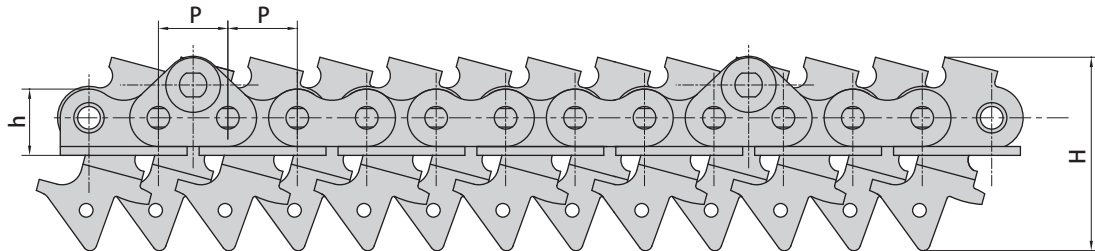
Conveyor chains for paper mill



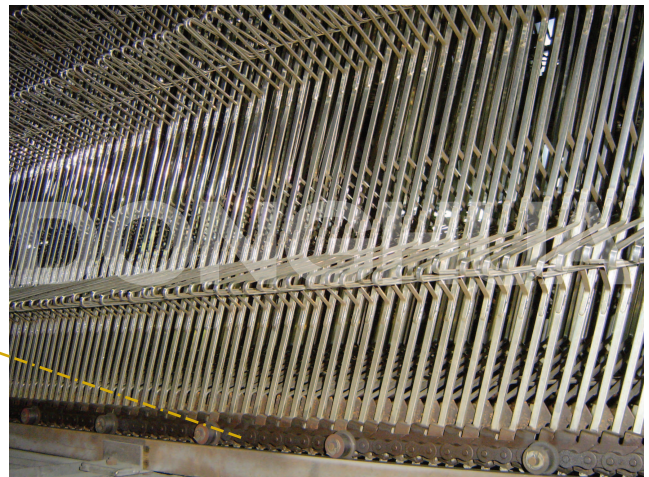
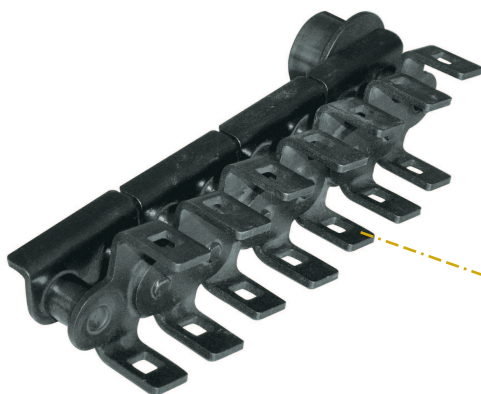
Donghua Chain No.	Pitch	Width between inner plates	Pin diameter	Bush diameter	Plate depth	Plate thickness	Attachment dimension				Ultimate tensile strength
	P	b1 min	d2 max	d1 max	h2 max	t max	F	K	Pt	M	Q min
	mm	mm	mm	mm	mm	mm	mm	mm	mm	mm	kN/lbf
P63F23	63.0	70.0	20.0	52.0	61.8	6.0	50.0	30.0	688.0	1200.0	160.0/35993

Conveyor chains for metal decorating system

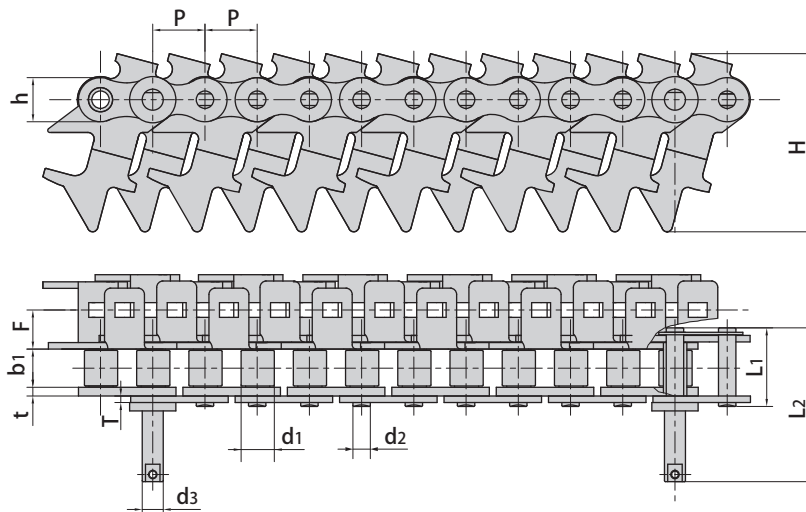
CONVEYOR CHAINS



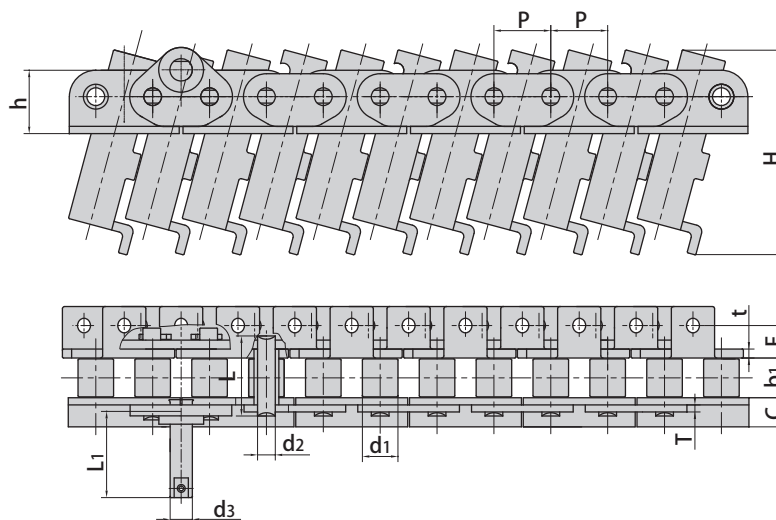
Donghua Chain No.	Pitch	Roller diameter	Width between inner plates	Pin diameter			Pin length			Plates dimension		Assembly dimension			Ultimate tensile strength
	P	d1 max	b1 min	d2 max	d3 max	L max	L1 max	L2 max	h	T	H	F	C	Q min	
	mm	mm	mm	mm	mm	mm	mm	mm	mm	mm	mm	mm	mm	kN/lbf	
16BF10	25.4	15.88	19.0	8.28	10.0	36.1	41.0	43.1	23.9	3.1	70.5	15.5	10.15	40.0/9090	
16BF27	25.4	15.88	19.0	8.28	10.0	36.1	41.0	43.1	23.9	3.1	85.0	17.0	10.15	40.0/9090	



Conveyor chains for metal decorating system



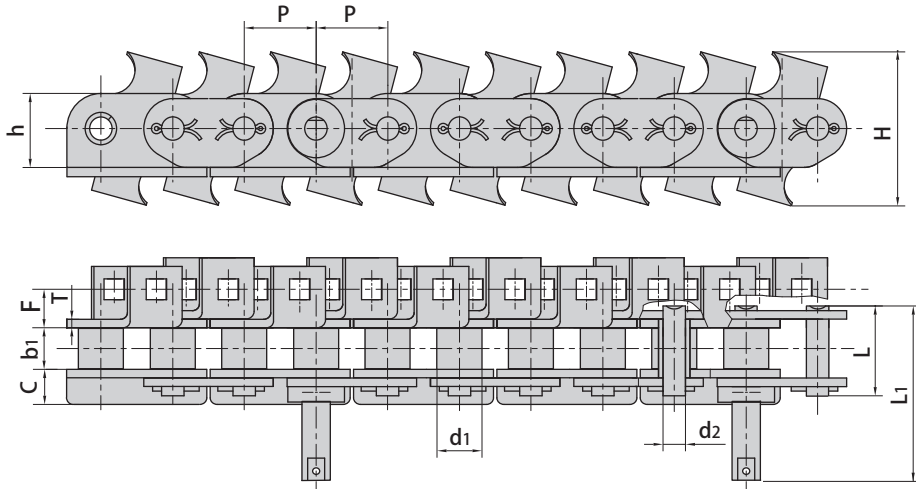
Donghua Chain No.	Pitch	Roller diameter	Width between inner plates	Pin diameter		Pin length		Plate dimension			Assembly dimension		Ultimate tensile strength
	P	d1 max	b1 min	d2 max	d3 max	L1 max	L2 max	h	T	t	H	F	Q min
	mm	mm	mm	mm	mm	mm	mm	mm	mm	mm	mm	mm	kN/lbf
16BF12	25.4	15.88	18.0	8.28	10.0	37.4	73.2	21.0	3.1	4.15	85.0	18.5	40.0/9090



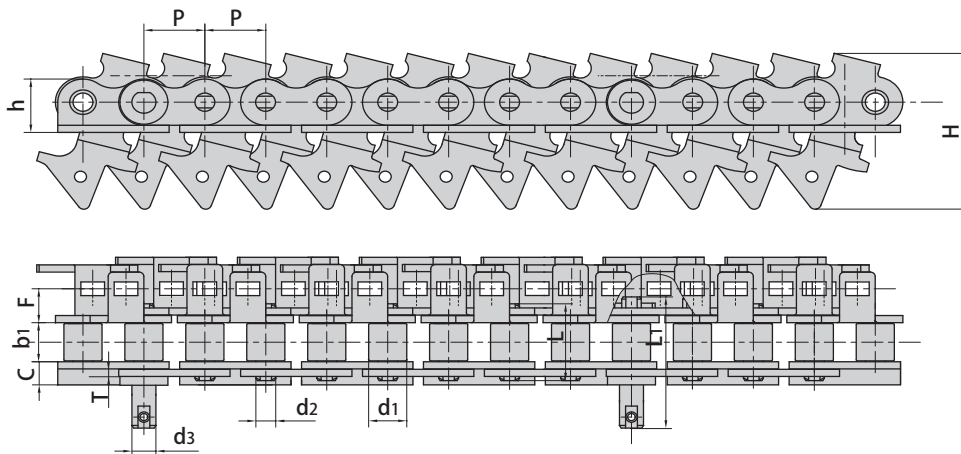
Donghua Chain No.	Pitch	Roller diameter	Width between inner plates	Pin diameter		Pin length		Plate dimension			Assembly dimension		Ultimate tensile strength	
	P	d1 max	b1 min	d2 max	d3 max	L	L1	h	T	t	H	F	C	Q min
	mm	mm	mm	mm	mm	mm	mm	mm	mm	mm	mm	mm	mm	kN/lbf
16AF18	25.4	15.88	17.00	7.92	10.0	36.2	48.6	28.3	3.25	4.0	92.0	14.7	13.0	40.0/9090

Conveyor chains for metal decorating system

CONVEYOR CHAINS

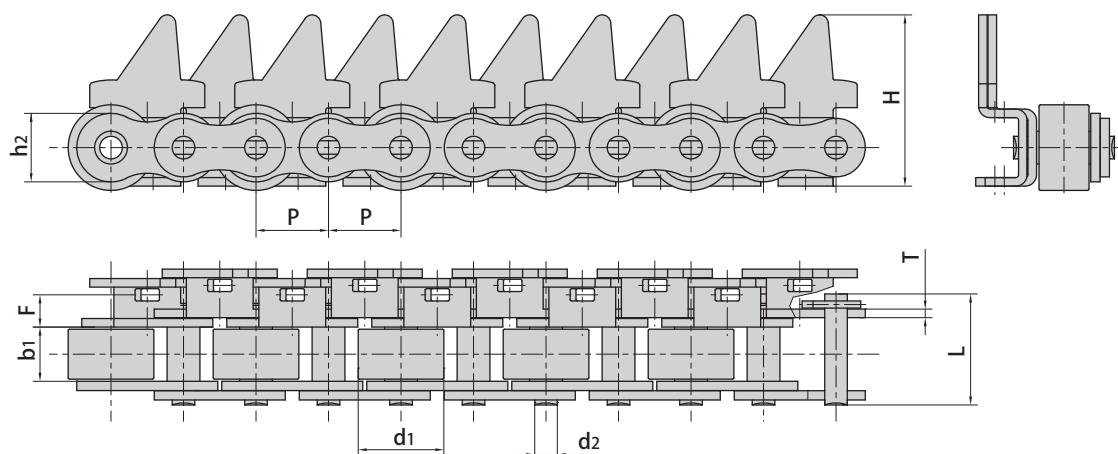


Donghua Chain No.	Pitch	Roller diameter	Width between inner plates	Pin diameter	Pin length		Plate dimension		Assembly dimension			Ultimate tensile strength
	P	d1 max	b1 min	d2 max	L	L1	h	T	H	F	C	Q min
	mm	mm	mm	mm	mm	mm	mm	mm	mm	mm	mm	kN/lbf
16AF7	25.4	15.88	15.75	7.92	36.5	67.9	28.3	3.25	59.1	13.5	13	40.0/9090

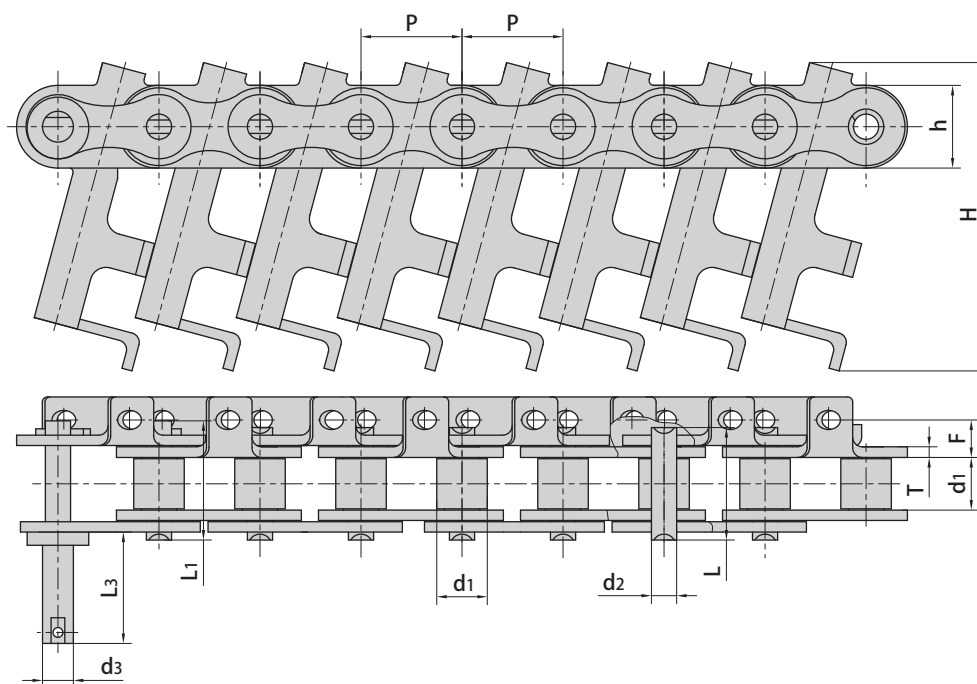


Donghua Chain No.	Pitch	Roller diameter	Width between inner plates	Pin diameter		Pin length		Plate dimension		Assembly dimension			Ultimate tensile strength
	P	d1 max	b1 min	d2 max	d3 max	L	L1	h	T	H	F	C	Q min
	mm	mm	mm	mm	mm	mm	mm	mm	mm	mm	mm	mm	kN/lbf
16AF27	25.4	15.88	15.75	7.92	10.0	32.7	75.2	28.3	3.25	71.0	14.6	13.0	40.0/8998
HX16AF32	25.4	15.88	15.75	7.92	10.0	40.9	81.1	28.3	3.25	69.5	29.7	12.0	55.6/12507

Conveyor chains for metal decorating system

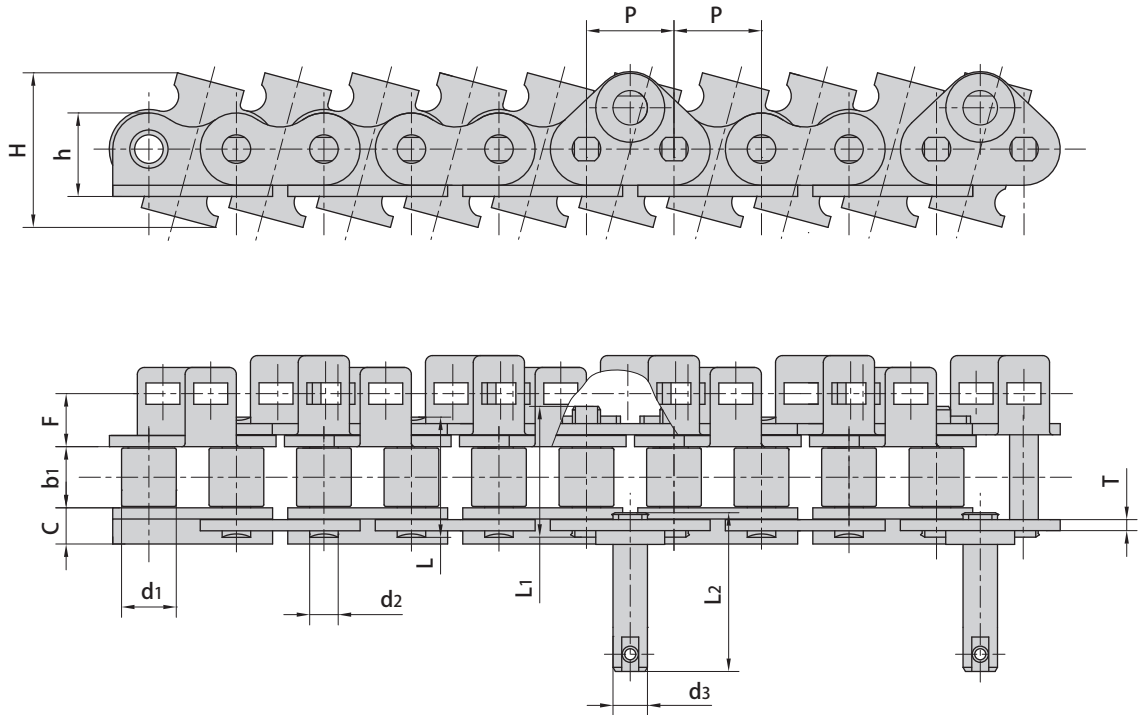


Donghua Chain No.	Pitch	Roller diameter	Width between inner plates	Pin diameter	Pin length		Plate dimension		Assembly dimension		Ultimate tensile strength
	P	d1	b1	d2	L	L1	h	T	H	F	Q _{min}
	mm	mm	mm	mm	mm	mm	mm	mm	mm	mm	kN/lbf
HXP25.4F1	25.4	30.0	19.0	7.92	35.6	38.9	20.5	3.0	60.0	30.55	55.6/12499



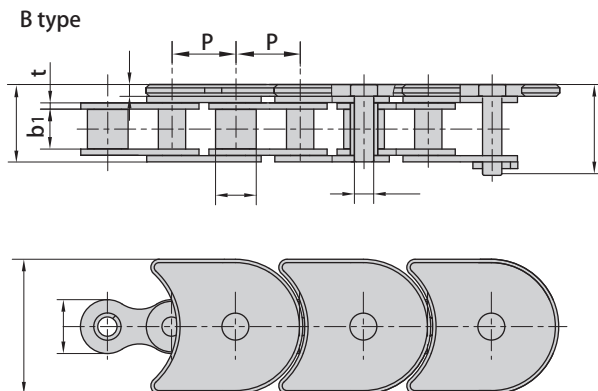
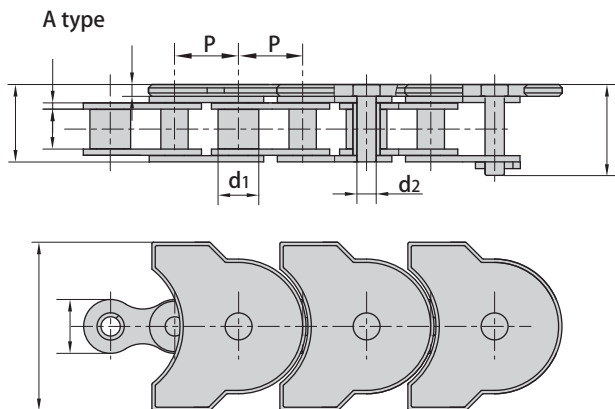
Donghua Chain No.	Pitch	Roller diameter	Width between inner plates	Pin diameter		Pin length			Plate dimension		Assembly dimension		Ultimate tensile strength
	P	d1	b1	d2	d3	L	L1	L2	h	T	F	C	Q _{min}
	mm	mm	mm	mm	mm	mm	mm	mm	mm	mm	mm	mm	kN/lbf
HXP31.75	31.75	15.88	17.80	7.92	10.0	36.2	38.4	73.7	26.0	3.25	96.9	22.8	55.6/12499

Conveyor chains for metal decorating system

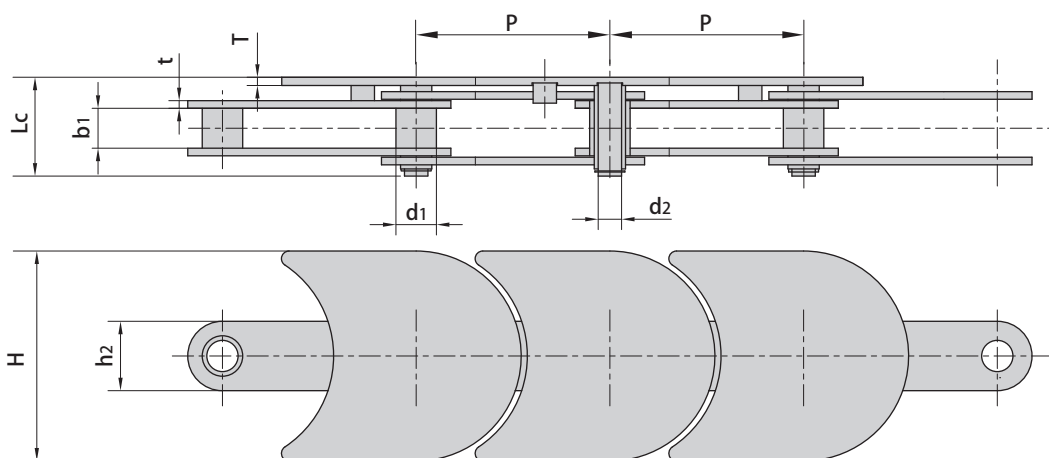


Donghua Chain No.	Pitch	Roller diameter	Width between innerplates	Pin diameter		Pin length			Plate dimension		Assembly dimension			Ultimate tensile strength
	P	d ₁	b ₁	d ₂	d ₂	L	L ₁	L ₂	h	T	H	F	C	Q _{min}
	mm	mm	mm	mm	mm	mm	mm	mm	mm	mm	mm	mm	mm	kN/lbf
HX16AF16	25.4	15.88	19.0	7.9	9.5	37.6	43.0	43.4	30.45	4.00	44.8	12.3	11.5	54.0/12148

Top plate conveyor chains

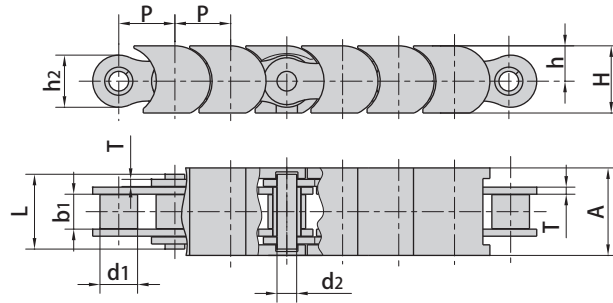


Donghua Chain No.	Pitch	Roller diameter	Width between inner plates	Pin diameter	Pin length		Plate dimension		Attachment dimension		Ultimate tensile strength	Weight per meter	Type
	p	d1 max	b1 min	d2 max	L max	Lc max	h2 max	t	H	T	Q min	q	
	mm	mm	mm	mm	mm	mm	mm	mm	mm	mm	kN/lbf	kg/m	
TOS50	19.05	12.07	11.68	5.72	23.3	27.28	16.0	1.85	50	3.50	29.0/6591	2.35	A
TOS50F1	25.40	12.07	11.68	5.72	22.8	27.28	21.0	1.85	50	3.50	29.0/6591	2.95	B
TOS80	38.10	15.88	15.75	7.92	32.4	-	27.3	3.25	82.6	3.25	55.6/12636	4.91	B



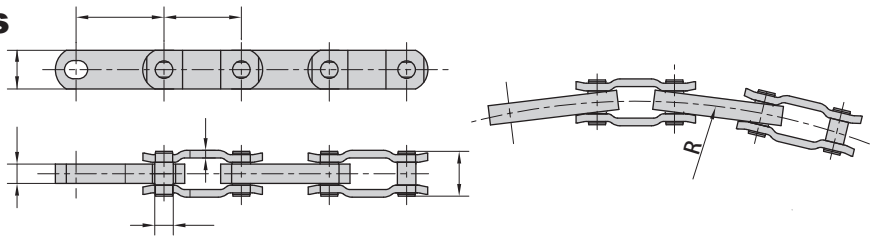
Donghua Chain No.	Pitch	Bush diameter	Width between inner plates	Pin diameter	Pin length	Plate dimension		Attachment dimension		Ultimate tensile strength	Weight per meter
	P	d1 max	b1 min	d2 max	Lc max	h2 max	t	H	T	Q min	q
	mm	mm	mm	mm	mm	mm	mm	mm	mm	kN/lbf	kg/m
76HP	76.2	15.92	15.7	9.2	37.5	27.3	3.0	82.6	3.0	45.0/10227	2.76

Top plate conveyor chains

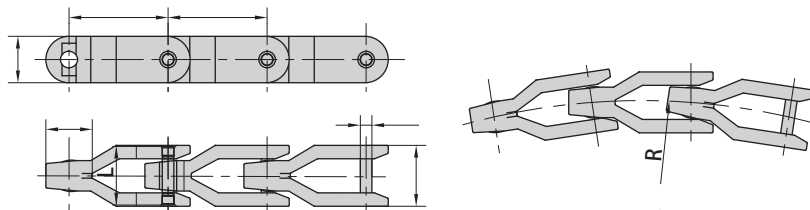


Donghua Chain No.	Pitch	Roller diameter	Width between inner plates	Pin diameter	Pin length	Plate dimension		Plastic attachment dimension			Ultimate tensile strength
	p	d1 max	b1 min	d2 max	L max	h2 max	T max	A	h	H	Q min
	mm	mm	mm	mm	mm	mm	mm	mm	mm	mm	kN/lbf
08B-TP	12.700	8.51	7.75	4.45	16.7	11.8	1.60	19.8	8.0	15.2	18/4091
10B-TP	15.875	10.16	9.65	5.08	19.5	14.7	1.70	24.8	9.5	17.5	22.4/5091
12B-TP	19.050	12.07	11.68	5.72	22.5	16.0	1.85	29.8	11.0	19.8	29/6591

Double flex chains

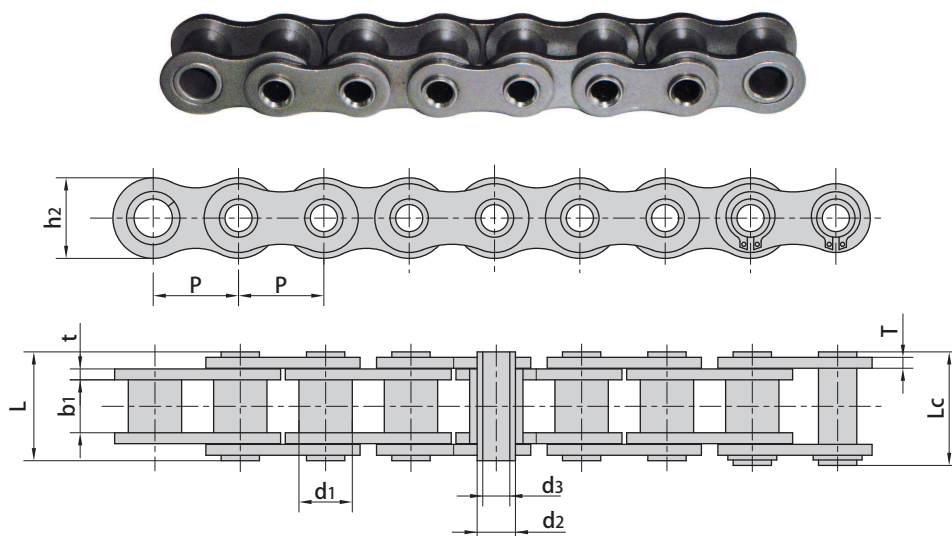


Donghua Chain No.	Pitch	Pitch	Thickness of inner plates	Pin diameter	Pin length	Plate dimension		Side bow radius	Ultimate tensile strength	Average tensile strength	Weight per meter
	P1	P2	T	d2 max	L max	H max	t	R min	Q min	Q0	q
	mm	mm	mm	mm	mm	mm	mm	mm	kN/lbf	kN	kg/m
3500	63.5	76.2	15.9	14.27	37.0	32.0	6.3	508.0	160.0/36363	196.0	5.14



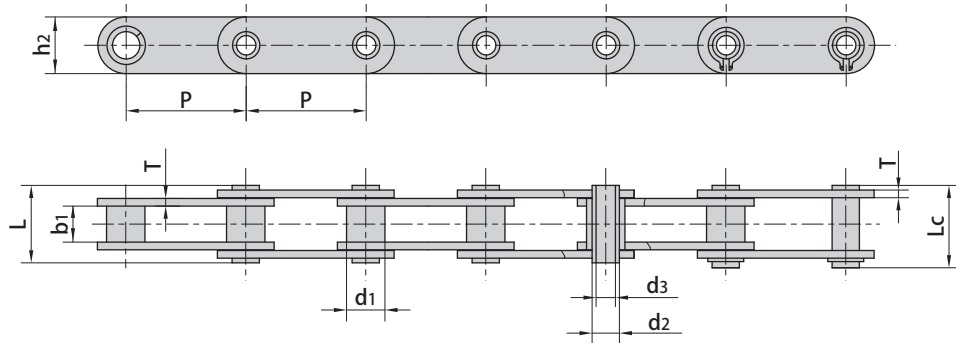
Donghua Chain No.	Pitch	Pin diameter	Pin length	Plate dimension			Side bow radius	Ultimate tensile strength	Weight per meter
	P	d2 max	L	H max	W max	d1	R min	Q min	q
	mm	mm	mm	mm	mm	mm	mm	kN/lbf	kg/m
CC1400	81.3	9.5	48.0	38.5	50.0	38.0	500	30.0/6818	1.99

Hollow pin chains



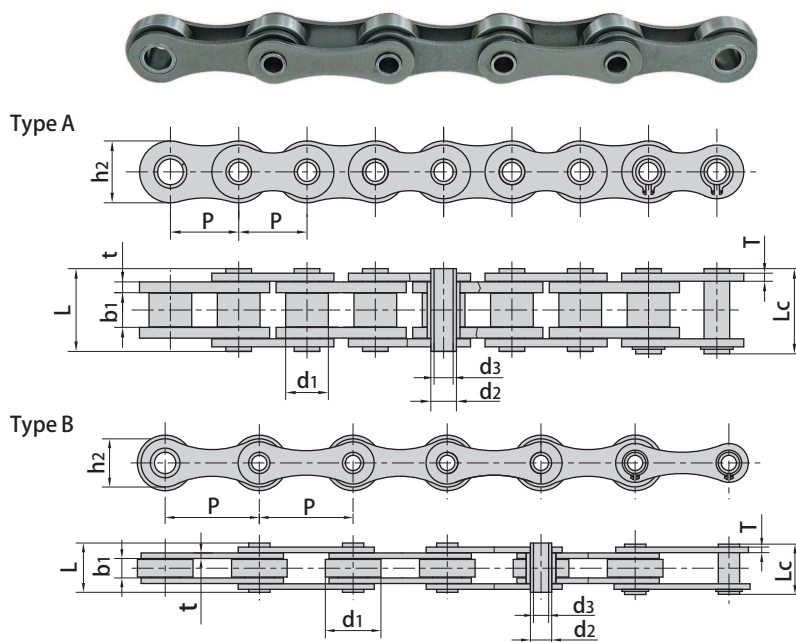
Donghua Chain No.	Pitch	Bush diameter	Width between inner plates	Pin diameter		Pin length		Inner plate depth	Plate thickness	Ultimate tensile strength	Average tensile strength	Weight per meter
	P	d1 max	b1 min	d2 max	d3 min	L max	Lc max	h2 max	t/T max	Q min	Q0	q
	mm	mm	mm	mm	mm	mm	mm	mm	mm	kN/lbf	kN	kg/m
08BHPF	12.700	8.51	7.75	6.55	4.50	16.4	17.6	11.80	1.60/1.30	11.1/2523	12.10	0.56
08BHPF5	12.700	8.51	7.75	6.30	4.50	16.8	18.0	12.00	1.60	9.6/2182	10.60	0.62
08BHPF9	12.700	8.51	7.75	6.30	4.50	16.5	17.6	12.10	1.50	10.5/2360	11.55	0.58
10BHPF3	15.875	10.16	9.65	7.02	5.13	19.5	20.5	14.70	1.70	10.0/2272	11.50	0.86
10BHPF4	15.875	10.16	9.50	7.20	5.00	19.8	21.3	14.00	2.03/1.60	12.5/2840	14.00	0.82
12BHPF2	19.050	12.07	11.68	8.09	6.00	22.7	23.9	16.10	1.85	14.0/3180	16.00	0.82
12BHPF3	19.050	12.07	11.70	8.22	5.75	23.6	24.9	16.20	2.42/1.85	16.0/3636	18.00	1.14
16BHPF3	25.400	15.88	17.02	11.50	8.20	35.3	37.0	23.20	4.00/3.10	49.0/11136	52.20	2.26
16BHPF4	25.400	11.70	13.50	8.00	4.30	28.9	30.2	21.30	3.00	30.0/6818	33.00	1.81
40HP	12.700	7.95	7.85	5.63	4.00	16.5	17.6	12.00	1.50	11.0/2500	12.20	0.54
08BHPF7	12.700	8.51	9.20	6.55	4.10	17.8	19.0	11.80	1.60	11.1/2523	12.10	0.64
08BHP	12.700	8.51	7.75	6.55	4.50	16.4	17.6	11.80	1.30	11.1/2523	12.10	0.52
50HP	15.875	10.16	9.40	7.03	5.13	20.7	21.9	15.09	2.03	20.0/4545	22.60	0.91
50HPF4	15.875	10.16	8.80	7.03	5.13	19.9	21.1	15.09	2.03	18.0/4180	19.20	0.89
50H-HP	15.875	10.16	9.40	7.03	5.13	22.6	23.7	15.09	2.42	20.0/4545	22.60	1.02
60HP	19.050	11.91	12.70	8.31	6.00	25.8	26.8	18.00	2.42	24.0/5455	26.90	1.29
60HPF1	19.050	11.91	12.70	8.31	5.01	25.5	26.8	18.00	2.42	28.0/6364	30.90	1.37
80HP	25.400	15.88	15.75	11.40	8.05	32.5	33.8	24.00	3.25	50.0/11364	52.00	2.26
80HPF1	25.400	11.70	13.50	7.80	4.00	27.0	28.4	21.50	2.42	27.44/6236	29.30	1.50
80HPF2	25.400	15.88	15.75	11.40	8.40	32.5	33.8	24.00	3.25	45.0/10227	48.00	2.23
80H-HP	25.400	15.88	15.75	11.40	8.05	35.7	37.0	24.00	4.00	50.0/11364	52.00	2.63
80HPF3	25.400	15.88	15.88	11.40	7.96	32.4	33.8	23.24	3.25	50.0/11364	52.00	2.26
80HPF4	25.400	11.70	13.50	7.80	4.10	29.0	30.5	21.50	3.00	40.0/9091	43.20	1.77
HB41.75F5	41.750	17.11	19.90	14.11	10.30	39.0	40.4	25.26	4.00	49.0/11136	53.90	2.11
A2080HP	50.800	15.88	15.75	11.40	8.05	32.4	33.8	24.00	3.25	42.3/9615	46.10	1.60

Hollow pin chains



Donghua Chain No.	Pitch	Bush diameter	Width between inner plates	Pin diameter		Pin length		Inner plate depth	Plate thickness	Ultimate tensile strength	Average tensile strength	Weight per meter
	p	d1 max	b1 min	d2 max	d3 min	L max	Lc max	h2 max	T max	Q min	Q0	q
	mm	mm	mm	mm	mm	mm	mm	mm	mm	kN/lbf	kN	kg/m
HP12.5	12.500	8.51	8.20	6.65	4.50	16.4	17.6	11.60	1.5/1.3	8.0/1819	8.8	0.61
C08BHP	12.700	8.51	7.75	6.55	4.50	16.4	17.6	11.80	1.6/1.3	11.0/2500	11.5	0.62
C40HP	12.700	7.95	7.85	5.63	4.00	16.5	17.6	12.00	1.50	11.0/2500	12.2	0.64
C50HP	15.875	10.16	9.40	7.03	5.13	20.7	21.9	15.09	2.03	20.0/4545	22.6	1.05
C60HP	19.050	11.91	12.70	8.31	6.00	25.8	26.8	18.00	2.42	24.0/5455	26.9	1.52
C80HP	25.400	15.88	15.75	11.40	8.05	32.5	33.8	24.00	3.25	50.0/11364	52.0	2.63
C2040HP	25.400	7.95	7.85	5.63	4.00	16.5	17.6	12.00	1.50	11.0/2500	12.6	0.46
C2040HPF1	25.400	7.95	7.85	5.63	M4	16.5	17.6	12.00	1.50	9.0/2045	9.9	0.44
C2050HP	31.750	10.16	9.40	7.22	5.12	20.5	21.8	15.00	2.03	20.4/4636	22.8	0.76
C2060HP	38.100	11.91	12.70	8.31	6.00	25.8	26.8	17.00	2.42	24.0/5455	27.1	1.02
C2060H-HP	38.100	11.91	12.70	8.31	6.00	29.2	30.2	17.00	3.25	24.0/5455	27.1	1.29
HB38.1F8	38.100	10.16	9.65	7.10	5.40	20.4	-	16.00	2.03	13.0/2954	14.3	0.67
HP40F1	40.000	18.00	22.00	12.00	8.00	47.5	48.2	35.00	5.00	57.0/13049	63.8	5.38
HP40F2	40.000	18.00	22.00	12.00	8.20	47.5	48.2	35.00	5.00	57.0/13049	63.0	5.37
HP50F1	50.000	26.00	14.50	20.00	14.70	35.3	36.2	40.00	3.10	30.0/6818	33.6	3.98
HP50F7	50.000	18.00	15.00	14.00	10.20	36.0	37.5	26.00	4.00	40.0/9091	43.2	2.56
HP50F10	50.000	18.00	22.00	12.10	8.30	39.5	40.6	30.00	3.00	45.0/10227	48.0	2.73
C2080HP	50.800	15.88	15.75	11.40	8.05	32.5	33.8	24.00	3.25	50.0/11364	52.0	1.81
HB55	55.000	18.00	22.00	14.00	10.00	43.4	44.5	30.00	4.00	50.0/11364	52.0	3.31
HB55F1	55.000	24.00	24.00	17.00	12.00	52.0	53.5	40.00	5.00	90.0/20455	100.0	6.34

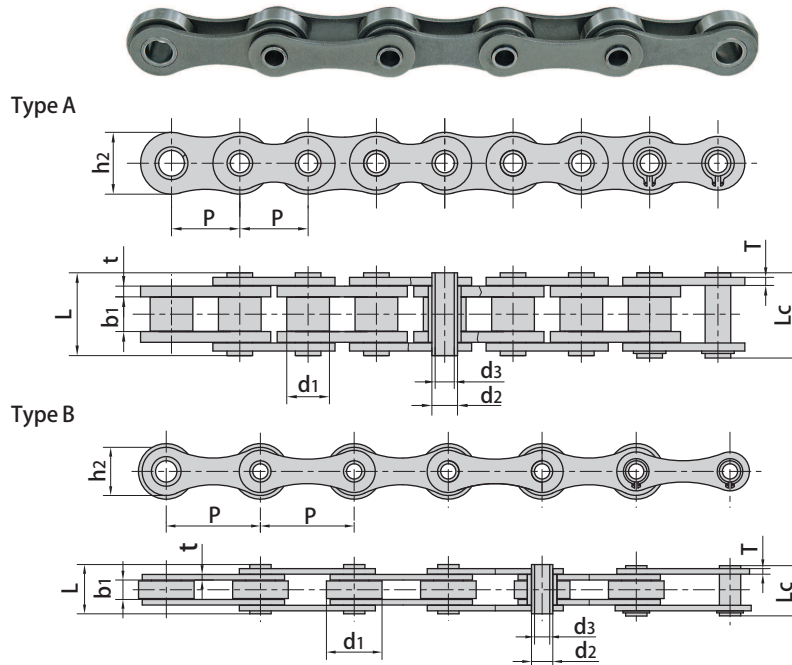
Hollow pin chains



Donghua Chain No.	Pitch	Roller diameter	Width between inner plates	Pin diameter		Pin length		Inner plate depth	Plate thickness	Ultimate tensile strength	Average tensile strength	Weight per meter	Type
	P mm	d1 max mm	b1 min mm	d2 max mm	d3 min mm	L max mm	Lc max mm	h2 max mm	t/T max mm	Q min kN/lbf	Q0 kN	q kg/m	
10BHB	15.875	10.16	9.65	5.94	4.04	19.30	20.60	14.70	1.70	17.00/3864	20.80	0.86	A
12BHP	19.050	12.07	11.68	6.50	4.00	21.60	22.80	15.90	1.85	23.60/5364	25.90	1.09	A
60HB	19.050	11.91	12.70	7.00	5.01	25.50	26.60	18.00	2.42	20.00/4545	22.40	1.35	A
12AHBF2	19.050	11.91	12.70	7.00	5.10	26.50	27.60	18.0	2.42	20.00/4545	22.40	1.39	A
12BHPPF6SLR	19.050	12.07	11.68	6.50	4.04	22.30	23.50	15.9	1.85	23.60/5364	25.96	1.12	A
12BHPPF10	19.050	12.07	11.68	6.50	4.00	21.60	22.80	15.90	1.85	23.60/5364	25.90	1.08	A
16BHBFB1	25.400	15.88	12.70	9.53	7.05	30.80	32.20	23.00	4.15/3.10	40.00/9091	45.00	2.28	A
HB25.4	25.400	20.00	8.00	8.00	5.20	19.50	20.50	17.00	2.03	25.00/5680	28.00	1.30	A
16BHBFB4	25.400	15.88	17.02	6.05	4.20	28.00	29.00	14.00	2.03	10.00/2248	11.00	1.50	A
HB28.58	28.580	15.88	16.20	8.03	5.50	36.30	37.00	24.00	4.00	22.00/4945	24.20	3.00	A
HP35	35.000	20.00	16.00	13.35	10.20	30.40	31.60	26.30	2.50	23.52/5345	26.40	2.02	A
HB35	35.000	20.00	16.00	14.00	10.2	32.00	33.50	38.10	3.00	40.00/9091	45.00	2.39	A
HB38.1	38.100	20.00	8.00	8.00	5.30	19.60	20.70	17.30	2.03	28.00/5682	28.80	0.98	B
HB38.1F1	38.100	20.00	18.00	10.50	5.10	39.00	40.30	22.00	4.00	60.00/13636	64.30	2.59	B
HB38.1F3	38.100	25.40	12.70	12.00	8.30	27.00	28.60	21.00	2.50	25.00/5682	28.80	1.51	B
HB38.1F4	38.100	20.00	12.70	8.00	5.20	26.00	27.20	17.00	2.42	24.00/5455	26.90	1.48	B
HP38.1F9	38.100	22.20	12.70	11.00	8.15	26.50	27.50	18.0	2.50	22.00/5000	24.40	1.46	B
HB38.1F10	38.100	25.40	25.40	14.63	10.50	54.00	54.30	33.20	6.00/4.80	50.00/11240	55.00	6.10	A
HP40F4	40.000	26.00	10.00	11.40	8.20	26.50	28.00	24.00	3.00	50.00/11364	56.70	2.20	B
*HB41.4F1	41.400	25.40	15.00	13.80	10.50	35.50	37.00	32.00	4.00	45.00/10116	49.50	3.66	B
HP41.75F1	41.750	17.10	20.20	11.11	8.20	35.70	39.00	21.65	3.10	26.50/6022	29.20	1.60	A
HP41.75F2	41.750	17.10	20.20	11.11	8.20	35.70	41.00	25.26	3.10	49.00/11136	54.80	2.04	A

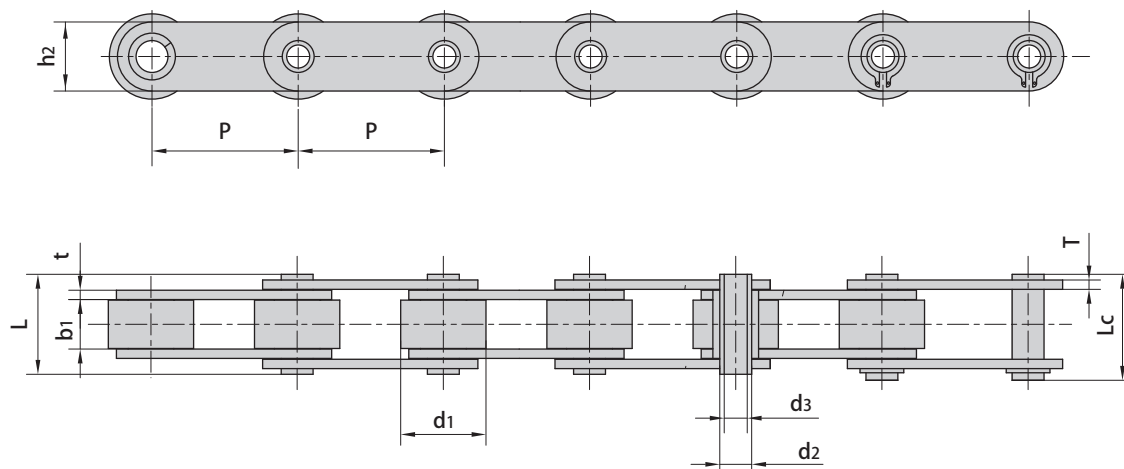
*Denotes straight side outer plates.

Hollow pin chains



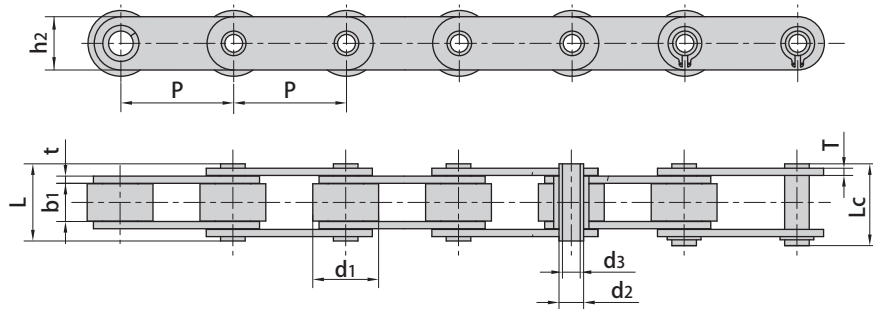
Donghua Chain No.	Pitch	Roller diameter	Width between inner plates	Pin diameter			Pin length		Inner plate depth	Plate thickness	Ultimate tensile strength	Average tensile strength	Weight per meter	Type
	P mm	d1 max mm	b1 min mm	d2 max mm	d3 min mm	L max mm	Lc max mm	h2 max mm	t/T max mm	Q min kN/lbf	Q0 kN	q kg/m		
HP41.75F3	41.750	17.00	20.50	11.00	8.30	36.00	39.50	21.40	3.00	27.00/6136	28.00	1.62	A	
HP41.75F6	41.750	17.10	20.20	11.11	8.20	36.70	37.50	25.26	3.10	49.00/11015	53.90	2.04	A	
HP50F2	50.000	31.00	15.00	13.20	10.20	36.50	38.00	25.00	4.00	40.00/9091	43.20	3.40	B	
DH16500HP	50.000	30.00	10.50	11.40	8.20	27.40	28.60	26.00	3.10	50.00/11364	53.60	2.23	B	
HB50F4	50.000	30.00	10.00	16.00	8.00	26.60	30.00	25.40	3.00	60.00/13635	67.20	2.03	B	
HB50F1-C30	50.000	30.00	10.00	12.00	8.20	26.50	28.10	26.00	3.00	45.00/11016	49.50	2.36	B	
HB50.8	50.800	30.00	10.50	11.40	8.20	27.40	28.60	26.00	3.10	50.00/11364	53.60	2.56	B	
HB50.8F4	50.800	30.00	10.50	13.60	8.20	27.40	28.90	26.00	3.10	42.00/9545	48.20	2.28	B	
HB50.8F14	50.800	30.00	10.00	16.00	8.00	26.60	30.00	25.40	3.00	60.00/13635	67.20	2.01	B	
HB60F6	60.000	30.00	10.00	16.00	8.00	26.60	30.00	26.00	3.00	46.00/10341	50.60	2.06	B	
HB60F7	60.000	30.00	10.00	16.00	8.00	26.60	30.00	25.40	3.00	60.00/13635	66.00	1.82	B	
HB63	63.000	30.00	10.00	11.40	8.10	26.70	28.10	26.50	3.10	50.00/11364	53.60	2.07	B	
HB63F1	63.000	40.00	10.00	11.40	8.10	26.70	28.10	26.50	3.10	50.00/11364	53.60	2.27	B	
HB63F2	63.000	40.00	20.00	11.40	8.10	36.70	38.10	26.50	3.10	50.00/11364	53.60	3.20	B	
HB63F3	63.000	40.00	15.00	11.40	8.20	35.60	37.00	26.50	4.00	35.00/7955	38.50	3.90	B	
HB63F4	63.000	30.00	20.00	11.40	8.10	36.70	38.10	26.50	3.10	50.00/11364	53.60	2.97	B	
HB63F6	63.000	30.00	10.00	11.70	8.20	26.70	28.10	26.50	3.10	50.00/11364	56.70	2.08	B	
HB63F7	63.000	40.00	18.00	14.00	10.20	38.00	39.50	28.00	4.00	50.00/11364	56.70	4.26	B	
HB63F8	63.000	30.00	20.00	11.70	8.10	36.50	38.00	26.50	3.10	50.00/11364	56.70	2.91	B	
HB63F14	63.000	30.00	10.00	11.40	8.10	30.20	31.60	26.50	4.00	50.00/11240	55.00	2.45	B	
HB80F3	80.000	45.00	20.00	24.00	18.00	39.00	40.60	40.00	3.50	75.00/16858	82.50	4.60	B	
HB100	100.000	30.00	10.50	11.40	8.20	27.40	28.60	26.00	3.10	50.00/11364	53.60	1.56	B	
HB100F8	100.000	30.00	10.00	16.00	8.00	26.60	30.00	25.40	3.00	60.00/13635	67.20	1.37	B	

Hollow pin chains

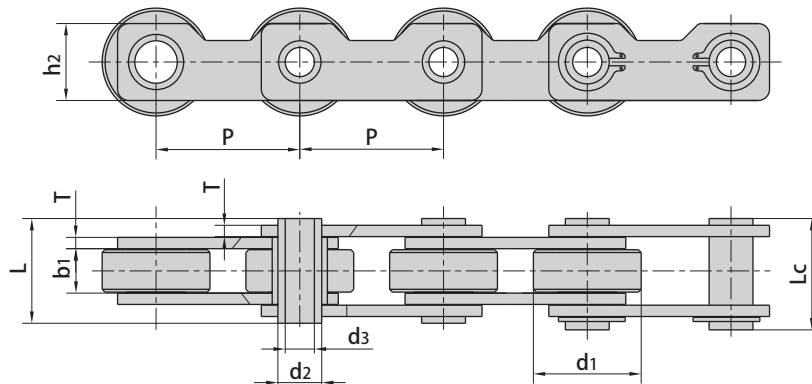


Donghua Chain No.	Pitch	Roller diameter	Width between innerplates	Pin diameter		Pin length		Inner plate depth	Plate thickness	Ultimate tensile strength	Average tensile strength	Weight per meter
	P	d1 max	b1 min	d2 max	d3 min	L max	Lc max	h2 max	t/T max	Q min	Q0	q
	mm	mm	mm	mm	mm	mm	mm	mm	mm	kN/lbf	kN	kg/m
C2042HP	25.40	15.88	7.85	5.63	4.00	16.5	17.6	12.00	1.50	11.0/2500	12.6	0.78
C2052HP	31.75	19.05	9.53	7.22	5.12	20.5	21.8	15.00	2.03	20.4/4636	22.8	1.25
C2062HP	38.10	22.23	12.70	8.31	6.00	25.8	26.8	17.00	2.42	24.0/5455	27.1	1.72
C2082HP	50.80	28.58	15.75	11.40	8.05	32.4	33.8	24.00	3.25	50.0/11364	52.0	2.82
C2042H-HP	25.40	15.88	7.85	5.63	4.00	18.8	19.9	12.00	2.03	11.0/2500	13.2	0.95
C2052HPF1	31.75	19.05	9.40	7.03	5.12	20.0	21.5	15.30	1.85	15.0/3409	17.3	1.21
C2052HPF3	31.75	19.05	9.53	7.02	5.13	20.1	21.6	15.09	2.03	19.6/4455	21.6	1.20
C2052H-HP	31.75	19.05	9.53	7.22	5.12	22.1	23.4	15.00	2.42	20.4/4545	23.5	1.44
C2062H-HP	38.10	22.23	12.70	8.31	6.00	29.2	30.2	17.00	3.25	24.0/5455	27.6	1.99
C2082H-HP	50.80	28.58	15.75	11.40	8.05	35.7	37.0	24.00	4.00	50.0/11364	56.5	3.34
HP40	40.00	22.00	8.75	9.00	6.00	23.0	24.2	18.00	2.50	27.0/4545	28.0	1.49
HB40F1	40.00	22.00	9.00	9.00	6.00	23.0	24.5	18.00	2.50	20.0/4546	22.0	1.58
HB41.4	41.40	25.40	15.00	13.80	10.50	35.5	37.0	32.00	4.00	45.0/10227	48.0	4.20
HP50	50.00	31.00	14.50	13.20	10.40	31.1	32.5	25.00	3.10	30.0/6818	34.2	3.29
HP50F4	50.00	31.00	15.00	13.20	10.20	36.5	38.0	25.00	4.00	40.0/9091	44.8	3.73
HB50	50.00	31.00	15.00	14.00	10.20	36.0	37.5	25.00	4.00	40.0/9091	43.2	3.98
HB50.8F8	50.80	32.00	20.00	19.10	12.40	44.6	46.4	40.00	5.00/4.00	100.0/22727	108.0	6.75
C1655HP	50.80	30.00	10.50	13.00	8.20	27.4	28.9	26.00	3.10	42.0/9545	48.2	2.72
HP50.8	50.80	26.00	15.88	20.00	14.30	41.0	42.2	38.10	4.80	100.0/22727	108.0	5.32
HB50.8F9	50.80	35.00	12.00	15.50	10.20	36.0	37.3	30.00	5.00	70.0/15909	77.0	4.92
HB50.8F20	50.80	38.10	15.20	14.28	9.50	36.6	37.2	26.40	4.00	40.0/8992	44.0	4.88
63HPF1	63.00	40.00	15.00	16.00	12.10	35.0	36.2	28.50	4.00	50.0/11364	56.7	4.20
DH4202HP	50.80	31.80	15.00	14.00	10.10	36.3	39.0	26.00	3.80	42.0/9545	51.6	3.75
DH4203HP	76.20	31.80	15.00	14.00	10.10	36.3	39.0	26.00	3.80	42.0/9545	47.1	3.01

Hollow pin chains

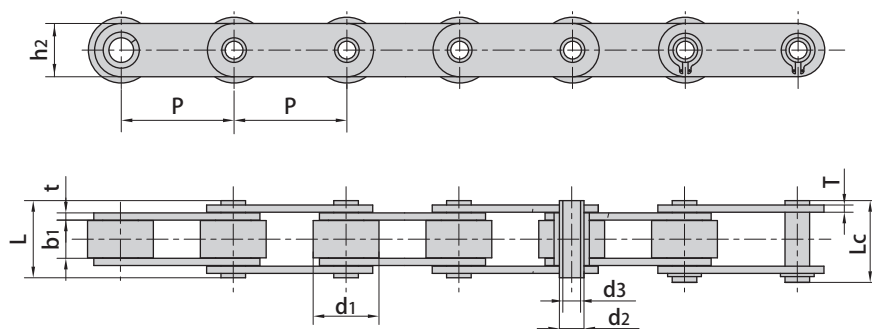


Donghua Chain No.	Pitch	Roller diameter	Width between inner plates	Pin diameter		Pin length		Inner plate depth	Plate thickness	Ultimate tensile strength	Average tensile strength	Weight per meter
	P mm	d1 max mm	b1 min mm	d2 max mm	d3 min mm	L max mm	Lc max mm	h2 max mm	t/T max mm	Q min kN/lbf	Q0 kN	q kg/m
DH42035HP	88.9	31.80	15.00	14.00	10.10	36.3	39.0	26.0	3.8	42.0/9545	51.1	2.79
DH4204HP	101.6	31.80	15.00	14.00	10.10	36.3	39.0	26.0	3.8	42.0/9545	51.6	2.63
DH8403HP	76.2	47.60	19.00	19.05	13.60	43.8	46.3	39.0	5.1/3.8	84.3/19159	130.3	6.81
DH8404HP	101.6	47.60	19.00	19.05	13.60	43.8	46.3	39.0	5.1/3.8	84.3/19159	130.3	5.78
DH8406HP	152.4	47.60	19.00	19.05	13.60	43.8	46.3	39.0	5.1/3.8	84.0/19091	130.3	5.18
HB38.1F2	38.1	25.40	12.70	9.50	6.60	26.6	28.0	19.1	2.3	20.0/4545	22.4	2.07
HB50.8F3	50.8	30.00	16.00	14.00	9.00	36.4	37.5	25.5	3.1	42.0/9545	47.0	3.20
HB75	75.0	40.00	22.00	18.00	12.20	42.0	44.0	35.0	4.0	60.0/13636	72.0	5.57
HB76.2	76.2	31.75	15.50	12.70	9.50	35.5	37.0	26.0	4.0	42.0/9545	49.2	3.25
HB76.2F2	76.2	47.60	20.00	24.00	18.50	44.5	46.1	40.0	5.0/4.0	79.0/17953	92.5	6.77
HB76.2F6	76.2	44.45	23.00	17.48	13.49	44.2	46.5	35.0	4.0	75.0/17044	82.5	6.27
HB80	80.0	50.00	20.00	24.00	18.50	44.5	46.1	40.0	5.0/4.0	79.0/17953	92.5	6.81
HP100	100.0	45.00	22.00	16.00	12.00	46.0	47.5	35.0	5.0	75.0/17044	90.0	6.20
HP100F1	100.0	45.00	22.00	18.00	12.00	47.2	48.5	35.0	5.0	75.0/17044	90.0	6.15



Donghua Chain No.	Pitch	Roller diameter	Width between inner plates	Pin diameter		Pin length		Plate depth	Plate thickness	Ultimate tensile strength	Average tensile strength	Weight per meter
	P mm	d1 max mm	b1 min mm	d2 max mm	d3 min mm	L max mm	Lc max mm	h2 max mm	T mm	Q min kN/lbf	Q0 kN	q kg/m
HB50.8F1	50.8	38.1	15.7	15.5	10.3	35.2	36.7	27.2	4.00	55.46/51650	58.8	4.97

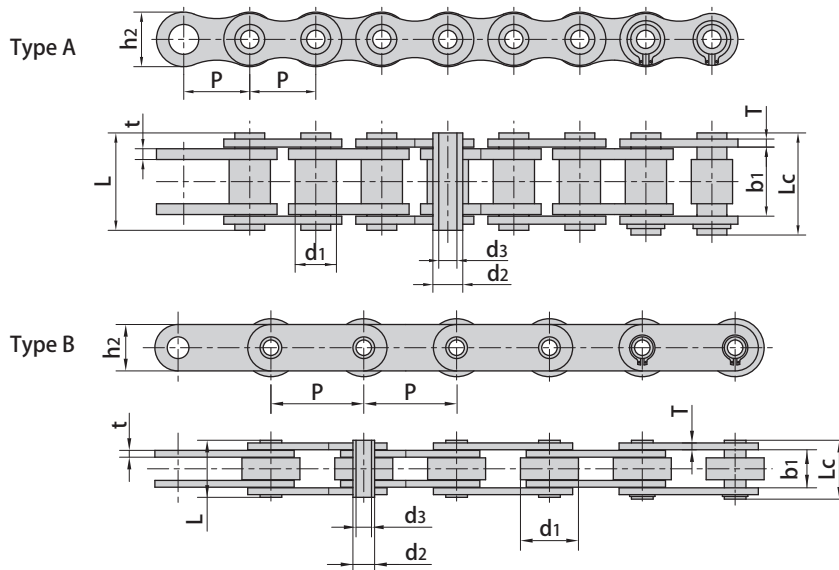
Hollow pin chains



Donghua Chain No.	Pitch	Roller diameter	Width between inner plates	Pin diameter		Pin length		Inner plate depth	Plate thickness	Ultimate tensile strength	Average tensile strength	Weight per meter
	P mm	d1 max mm	b1 min mm	d2 max mm	d3 min mm	L max mm	Lc max mm	h2 max mm	t/T max mm	Q min kN/lbf	Q0 kN	q kg/m
HB25.4F2	25.40	15.89	17.26	9.00	6.35	31.3	32.5	20.0	2.50	20.0/4545	22.40	1.97
HB 25.4F4	25.40	20.00	11.00	12.00	8.35	27.0	28.4	24.0	3.00	32.0/7273	35.80	2.48
C2062H-HPF3	38.10	22.23	12.70	8.31	6.00	25.8	26.8	17.0	2.42	24.0/5455	27.10	1.72
HB38.1F6-R	38.10	25.40	15.20	14.00	10.20	34.5	36.5	27.0	3.70	45.0/10228	49.50	3.20
HB50.42	50.42	37.30	15.00	14.00	10.20	36.0	37.5	26.2	4.00	40.0/9090	44.80	4.46
HB50.8F12	50.80	28.58	16.00	14.00	9.00	36.4	37.5	25.5	3.50	42.0/9545	47.00	3.26
HB50.8F11	50.80	38.10	16.00	13.80	9.70	37.2	39.5	25.4	3.90	57.0/12953	63.84	5.01
HB50.8F18	50.80	38.10	16.00	13.80	9.70	37.2	39.5	25.4	4.80/3.90	57.0/12812	62.70	4.85
HB63F11	63.00	40.00	20.00	20.00	18.00	42.5	43.5	42.0	4.00	46.0/10454	50.60	5.83
HB63F12	63.00	30.00	10.00	11.40	8.10	26.7	28.1	26.5	3.10	50.0/11364	56.50	2.39
C2102HP	63.50	39.67	18.90	13.60	9.50	40.3	42.0	30.0	4.00	60.0/13636	72.00	5.13
HB63.5F1	63.50	32.00	15.00	16.00	12.20	32.0	33.0	25.0	3.00	20.4/4636	22.80	2.69
HB65	65.00	45.00	20.00	25.00	18.00	38.0	40.0	40.0	3.00	46.0/10454	50.60	4.49
HB100F10	100.00	45.00	33.00	18.00	12.10	48.5	49.7	35.0	5.00	75.0/17046	84.70	6.05
HB100F11	100.00	40.00	20.60	16.00	12.50	42.1	43.4	35.0	4.00	75.0/17046	84.70	4.58
HB100F9	100.00	45.00	32.80	18.00	12.40	49.0	49.0	35.0	5.00	75.0/17046	84.70	6.14
HB100F7	100.00	30.00	15.00	16.00	12.30	36.5	37.8	35.0	4.00	75.0/17046	84.70	3.49
HB100F3	100.00	30.00	24.00	15.95	10.30	46.0	47.3	35.0	4.00	75.0/17046	84.70	4.04
HB100F13	100.00	48.00	25.00	16.00	11.30	51.0	52.8	35.0	5.00	95.0/21356	104.50	7.03
HP101.6F1	101.60	47.60	19.00	19.00	13.20	46.2	48.0	40.0	5.0/4.0	53.0/12045	58.20	6.09
HP101.6F2	101.60	66.70	25.40	26.90	20.10	59.2	60.7	51.0	7.1/5.1	150.0/34088	160.00	14.23
HP101.6F6	101.60	47.60	20.50	21.00	16.11	45.0	46.5	40.0	5.00/4.00	60.0/13488	66.00	6.20
HP101.6F8	101.60	63.50	27.50	19.05	13.10	60.7	65.5	50.8	6.40	120.0/26977	132.00	13.12
HB125	125.00	70.00	37.00	26.00	16.20	73.5	75.0	60.0	7.00	250.0/56202	275.00	17.56
HP130	130.00	40.00	21.00	18.10	12.10	41.3	42.5	35.0	3.80	80.0/18183	89.60	4.21
HP152	152.40	66.70	25.40	26.90	19.56	57.2	59.5	50.8	7.1/5.1	94.0/21362	107.80	9.90
HP152.4F1	152.40	47.60	19.00	19.00	13.20	46.2	48.0	40.0	5.0/4.0	54.0/12270	59.50	5.00
HP152.4F4	152.40	64.00	25.40	29.00	21.00	59.5	60.1	50.0	8.00/5.00	71.3/16028	78.43	9.82

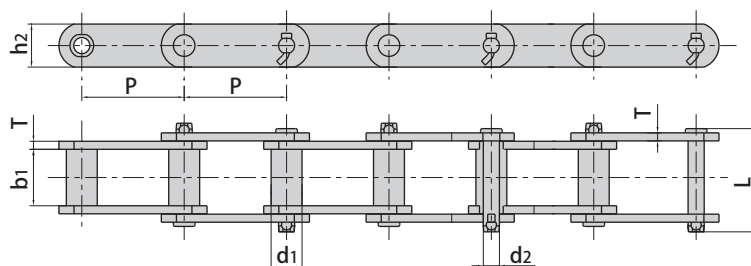
Hollow pin chains

CONVEYOR CHAINS



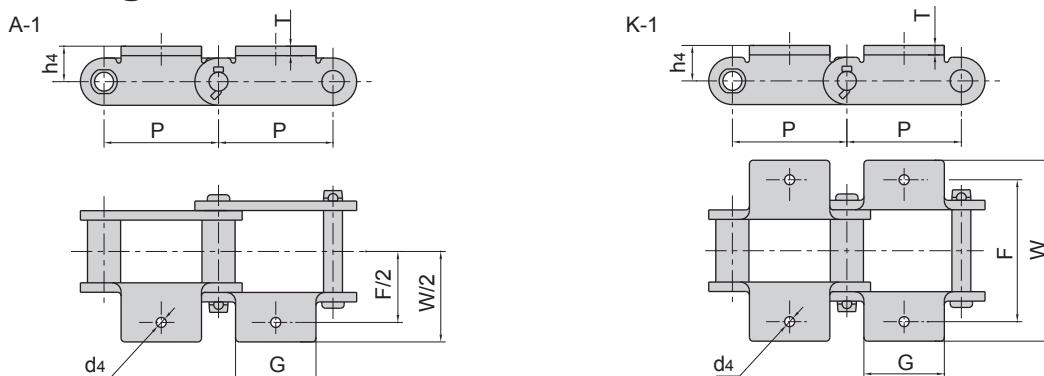
Donghua Chain No.	Pitch	Roller diameter	Width between outer plates	Pin diameter		Pin length		Inner plate depth	Plate thickness	Ultimate tensile strength	Average tensile strength	Weight per meter	Type
	P mm	d1 max mm	b1 min mm	d2 max mm	d3 min mm	L max mm	Lc max mm	h2 max mm	t/T max mm	Q min kN/lbf	Q0 kN	q kg/m	
08BHPF2	12.700	8.51	13.20	6.65	5.20	18.00	19.2	11.8	1.6/1.3	10.0/2273	11.4	0.50	A
08BHPF3	12.700	8.51	13.40	6.65	4.00	19.00	20.2	11.8	1.70	14.0/3182	16.8	0.69	A
HB12.7	12.700	8.51	13.40	6.65	4.10	19.00	20.2	11.8	1.70	14.0/3182	16.8	0.69	A
08BHPF8	12.700	8.51	11.30	6.30	4.50	16.70	18.5	11.8	1.60	11.0/2500	12.1	0.80	A
40HPF1-D3	12.700	8.51	11.60	6.35	4.36	20.60	20.6	12.0	1.50	11.0/2500	12.1	0.77	A
41HP	12.700	7.77	9.20	5.63	4.19	13.75	16.0	9.91	1.30	4.0/899	4.4	0.35	A
10BHPF1	15.875	10.16	13.41	7.03	5.00	19.20	20.2	14.0	1.85	17.0/3864	20.6	0.83	A
10BHPF2	15.875	10.16	10.40	7.03	5.00	17.00	18.0	14.0	1.85	15.0/3409	17.3	0.74	A
12BHPF1	19.050	12.07	16.00	8.03	5.40	22.70	23.9	15.8	1.85	25.0/5682	28.8	1.09	A
16BHPF1	25.400	15.88	25.58	11.50	8.10	36.50	37.6	21.0	4.15/3.1	45.0/10227	52.2	2.21	A
50HPF1	15.875	10.16	13.60	7.03	5.13	20.70	21.9	14.4	2.03	18.0/4091	21.6	0.92	A
60HPF2	19.050	11.91	11.23	5.63	4.05	16.50	17.6	10.4	1.50	10.0/2273	10.8	0.62	A
C12BHPF9	19.050	12.07	15.80	8.03	5.00	22.40	23.9	16.1	1.85	25.0/5682	28.8	1.26	B
12BHPF9	19.050	12.07	15.80	8.03	5.00	22.40	23.9	16.1	1.85	25.0/5682	28.8	1.18	A
60HPF3	19.050	11.91	17.20	8.40	6.10	24.70	26.0	18.0	2.03	20.0/4546	24.0	1.54	A
HP38.1F10	38.100	17.95	23.50	13.60	10.44	36.00	37.3	28.4	3.70	70.0/15736	77.0	2.66	A
63HP	63.000	40.00	23.50	16.00	12.00	35.30	38.3	28.6	4.00	65.0/14773	71.5	4.14	B
63HPF2	63.000	40.00	25.80	14.00	8.08	39.10	41.1	20.0	5.00	50.0/11364	65.7	4.17	B
63HPF4	63.000	40.00	23.50	16.00	12.20	34.70	37.7	28.6	4.00	44.0/10000	57.2	4.13	B
63HPF6	63.000	40.00	28.94	16.00	10.30	41.80	43.4	28.6	4.00	44.0/10000	57.2	5.18	B
63HPF11	63.000	40.00	23.50	16.00	12.20	34.70	37.7	28.6	4.00	65.0/147333	71.5	4.25	B
63HPF12	63.000	40.00	23.50	16.00	12.20	34.70	37.7	28.0	4.00	44.0/10000	57.2	4.02	B
C2122HPF1	76.200	47.60	29.00	17.81	12.70	43.30	44.7	38.1	4.80	53.3/12123	59.2	7.05	B

Engineering steel bush chains



ANSI Chain No.	Donghua Chain No.	Pitch	Bush diameter	Width between inner plates	Pin diameter	Pin length	Plate depth	Plate thickness	Ultimate tensile strength	Average tensile strength	Weight per meter
		P	d1 max	b1 min	d2 max	L max	h2 max	T max	Q min	Q0	q
		mm	mm	mm	mm	mm	mm	mm	kN/lbf	kN	kg/m
S102B		101.60	25.40	54.10	15.88	111.3	38.10	9.7	160.0/35993	176.0	10.40
S110		152.40	32.00	54.10	15.88	111.3	38.10	9.7	160.0/35993	176.0	9.80
S111		120.90	36.60	66.80	19.05	131.2	50.80	9.7	214.0/48141	235.4	15.90
S131		78.11	32.00	33.50	15.88	90.5	38.10	9.7	160.0/35993	176.0	11.60
S150		153.67	44.70	84.30	25.40	164.6	63.50	12.7	378.0/85034	416.0	25.70
S188		66.27	22.40	26.90	12.70	68.6	28.40	6.4	102.0/22946	112.2	5.60
S856		152.40	44.40	76.20	25.40	154.9	63.50	12.7	365.0/82110	401.5	25.00
S857		152.40	44.40	76.20	25.40	154.9	82.60	12.7	432.0/97182	475.2	32.00
S859		152.40	60.40	95.30	31.75	188.5	101.60	16.0	690.0/155221	759.0	55.90
S864		177.80	60.40	95.30	31.75	188.5	101.60	16.0	690.0/155221	759.0	51.80
	S102.5	102.36	34.93	57.15	19.05	115.0	44.45	9.5	214.0/48141	235.4	14.09
	S110F1	152.40	31.75	53.48	15.88	111.0	44.45	9.5	160.0/35993	176.0	10.50
	S111F1	120.90	36.51	66.68	19.05	125.0	50.80	9.5	214.0/48141	235.4	15.46
	S150F1	153.67	44.50	80.60	28.60	152.0	80.00	12.0	900.0/202328	990.0	29.87

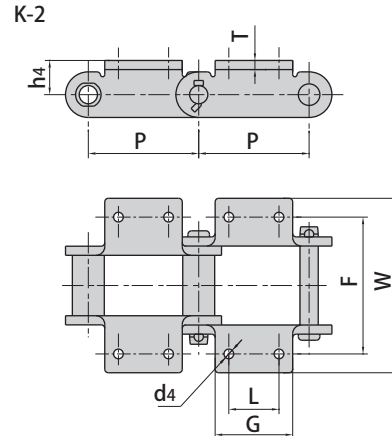
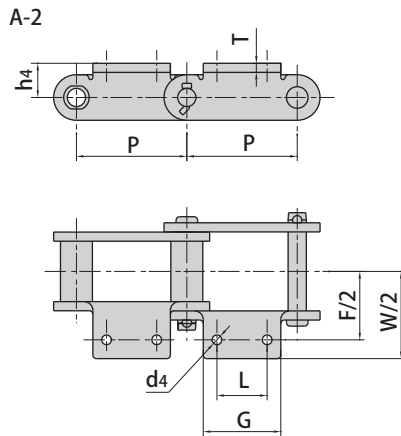
Engineering steel bush chain attachments



ANSI Chain No.	P	G	F	W	h4	d4	T
	mm	mm	mm	mm	mm	mm	mm
*S102B	101.60	77.0	121.0	180.8	25.4	10.2	9.7
S131	78.11	73.9	104.6	157.0	25.4	13.5	9.7
S188	66.27	54.6	95.2	131.6	20.6	10.2	6.4

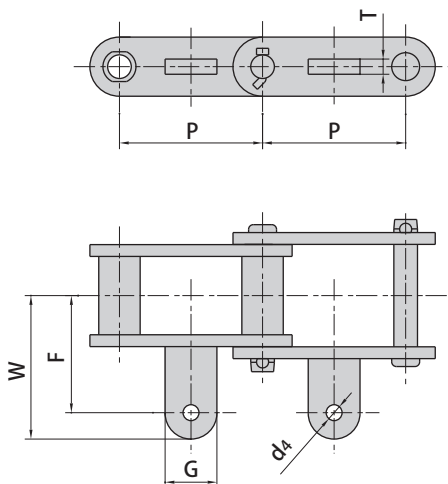
*S102B only with A-1 attachments

Engineering steel bush chain attachments



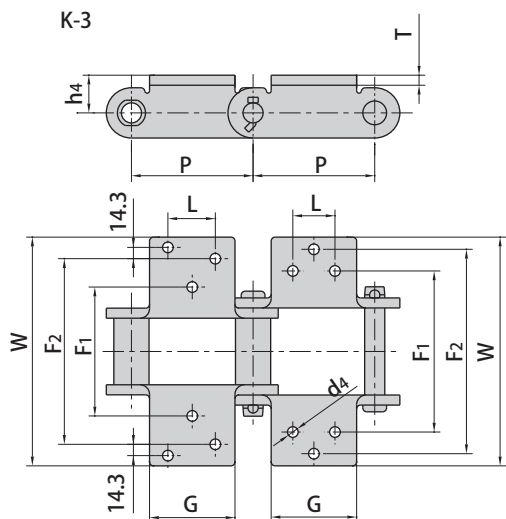
ANSI Chain No.	Donghua Chain No.	P	L	G max	F	W max	h4	d4 min	T
		mm	mm	mm	mm	mm	mm	mm	mm
S102B		101.60	44.50	69.9	134.90	180.80	25.40	10.20	9.7
S110		152.40	44.50	89.6	134.90	180.80	25.40	10.20	9.7
S111		120.90	58.70	92.7	158.80	210.80	38.10	13.50	9.7
S131		78.11	38.10	73.9	104.60	157.00	25.40	13.50	9.7
S150		153.67	69.90	108.7	190.50	249.40	47.80	13.50	12.7
S188		66.27	31.80	54.6	106.40	131.60	20.60	8.60	6.4
S856		152.40	63.50	103.1	184.20	241.30	47.80	16.80	12.7
	S102.5	102.36	44.45	69.0	136.53	163.51	28.58	9.50	9.5
	S110F1	152.40	44.45	88.9	134.94	165.10	27.78	10.30	9.5
	S111F1	120.90	58.70	87.5	158.75	196.85	38.10	13.70	9.5
	S102.5A2F1	102.36	44.45	80.0	134.60	172.00	28.58	14.50	9.5
	S856F3	152.40	57.15	108.0	160.30	215.90	47.80	13.49	12.7
	S110F3	152.40	44.50	76.2	134.90	161.00	25.40	10.20	9.7
	S188F6	66.27	31.75	54.6	105.20	129.30	22.30	11.11	6.4
	S856F5	152.40	63.50	180.0	184.15	241.00	12.70	18.00	12.7

A-22



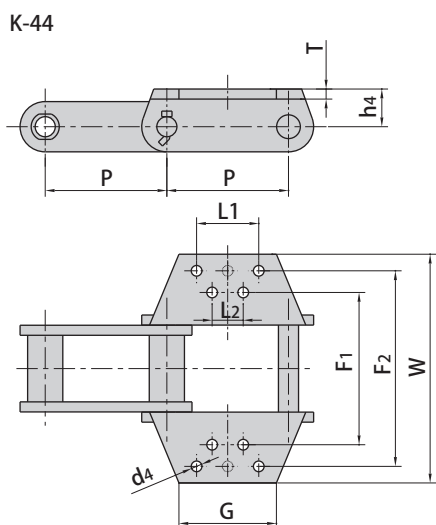
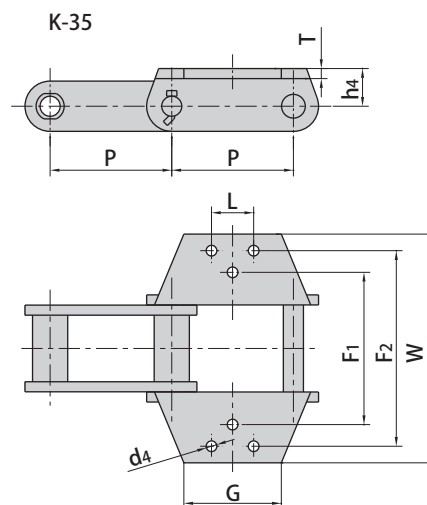
ANSI Chain No.	Donghua Chain No.	P	G	F	W	d4	T
		mm	mm	mm	mm	mm	mm
S188		66.27	49.2	45.2	61.2	10.2	10.4
	S188A22F1	66.27	32.0	45.2	61.2	12.0	6.4

Engineering steel bush chain attachments



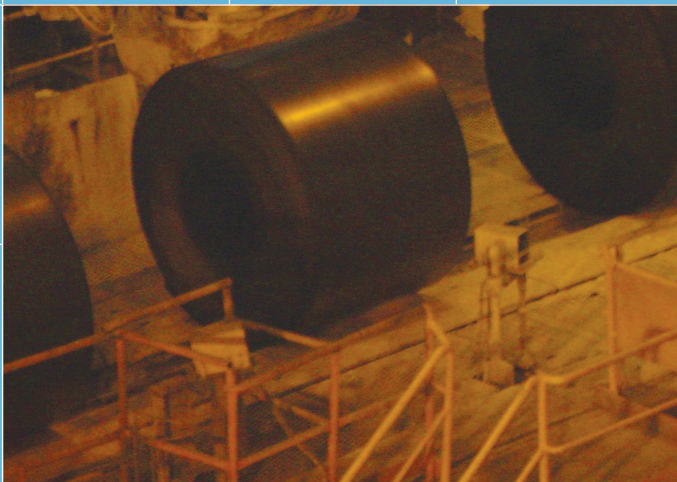
ANSI Chain No.	P	G	L	F1	F2	W	h4	d4	T
	mm	mm	mm	mm	mm	mm	mm	mm	mm
S150	153.67	109.5	69.9	190.5	292.1	347.5	47.8	13.5	13.5
S856	152.40	152.4	69.9	166.6	277.9	349.3	47.8	13.5	13.5

ANSI Chain No.	P	G	L	F1	F2	W	h4	d4	T
	mm	mm	mm	mm	mm	mm	mm	mm	mm
S856	152.4	146.1	63.5	184.2	298.5	349.3	47.8	16.8	13.5

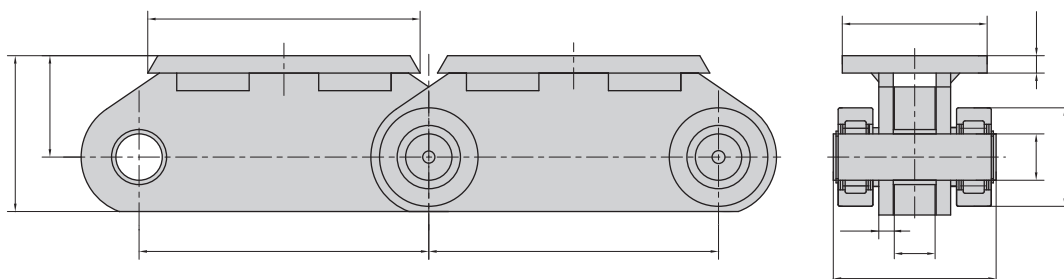


ANSI Chain No.	P	G	L1	L2	F1	F2	W	h4	d4	T
	mm	mm	mm	mm	mm	mm	mm	mm	mm	mm
S857	152.4	146.1	88.9	88.9	177.8	304.8	355.6	63.5	13.5	13.5
S859	152.4	146.1	114.3	69.9	228.6	330.2	381.0	76.2	16.8	13.5
S864	177.8	146.1	139.7	95.3	228.6	330.2	381.0	76.2	16.8	13.5

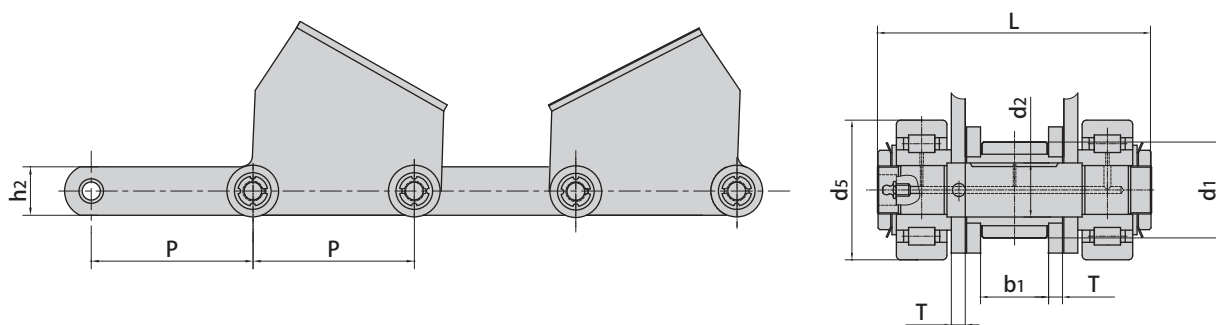
CONVEYOR CHAINS FOR STEEL MILL



Conveyor chains for steel mill

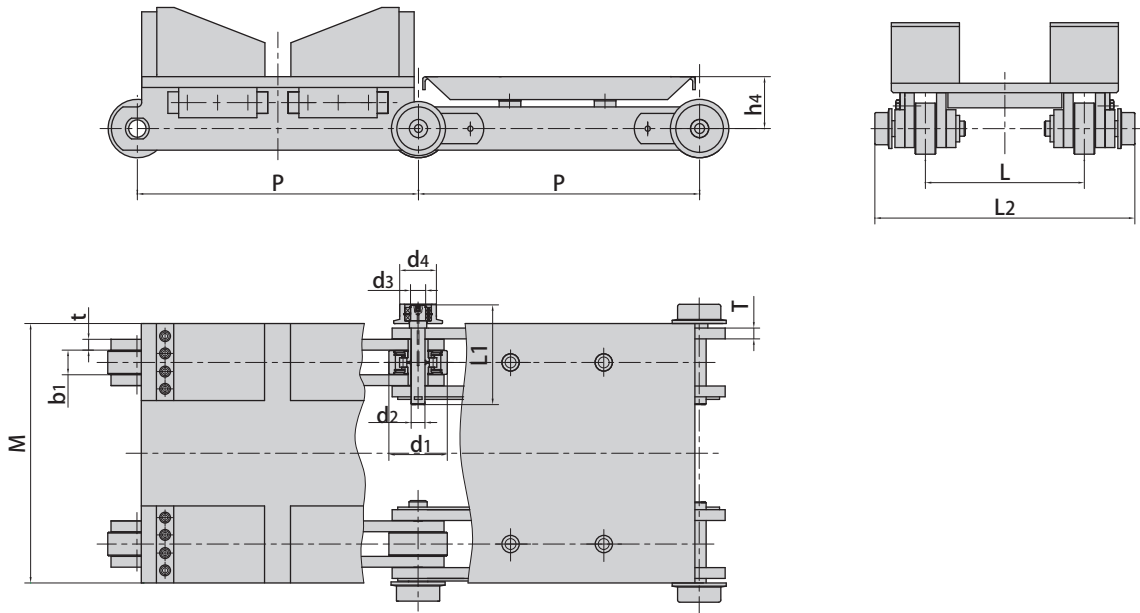


Donghua Chain No.	Pitch	Roller diameter	Pin diameter	Pin length	Plate thickness	Attachment dimensions					Ultimate tensile strength
	P	d1 max	d2 max	L max	t/T max	G	M	h4	h	T1	Q min
	mm	mm	mm	mm	mm	mm	mm	mm	mm	mm	kN/lbf
P500	500	170	80	281	50/25	470	250	175	269	30	1900/427419



Donghua Chain No.	Pitch	Roller diameter		Width between inner plates	Pin diameter	Pin length	Plate thickness	Plate depth	Ultimate tensile strength
	P	d1 max	d5 max	b1 min	d2 max	L max	T max	h2	Q min
	mm	mm	mm	mm	mm	mm	mm	mm	kN/lbf
P500F1	500	107	160	78	62	325	20	150	800/179966
P500F2	500	107	160	76	62	310	16	150	700/157470

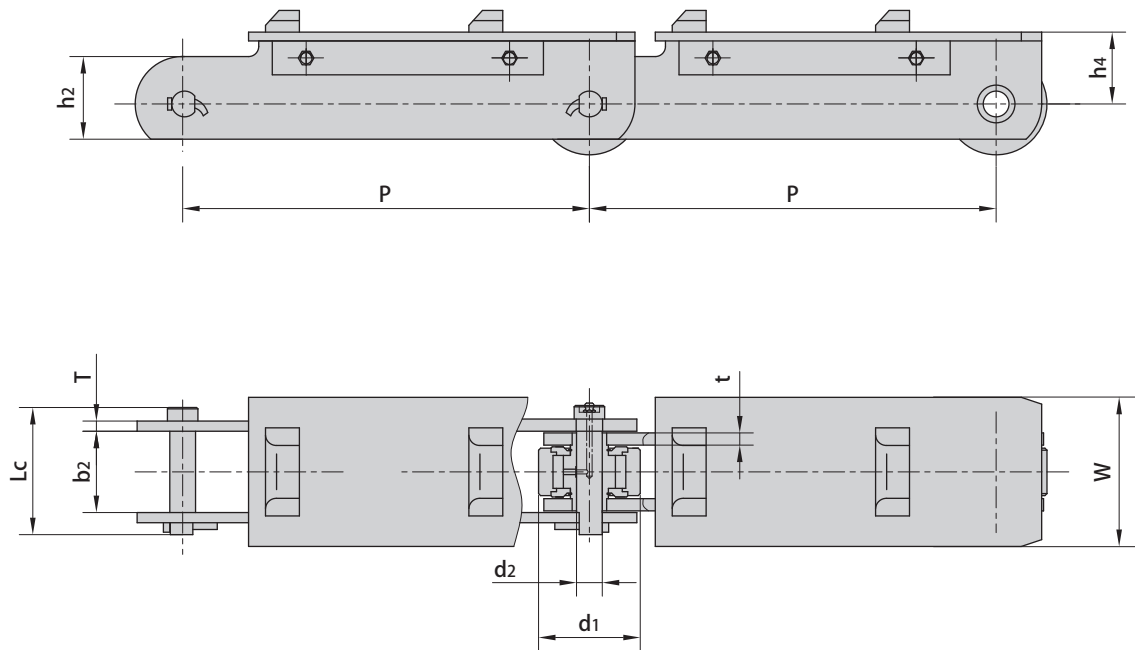
Conveyor chains for steel mill



Donghua Chain No.	Pitch	Roller diameter		Width between inner plates		Pin diameter		Pin length	Plate thickness		Attachment dimension				Ultimate tensile strength	Weight per meter
	P	d1 max	d4 max	b1 min	d2 max	d3 max	L1 max	t/T max	L	L2	M	h4	Q min	q		
	mm	mm	mm	mm	mm	mm	mm	mm	mm	mm	mm	mm	kN/lbf	kg/m		
P650	650	135	85	56	32	35	232	25	420	690	600	120.0	750/168718	214.5		
P750	750	200	85	82	55	35	276	30/25	380	690	600	162.5	2050/460858	-		

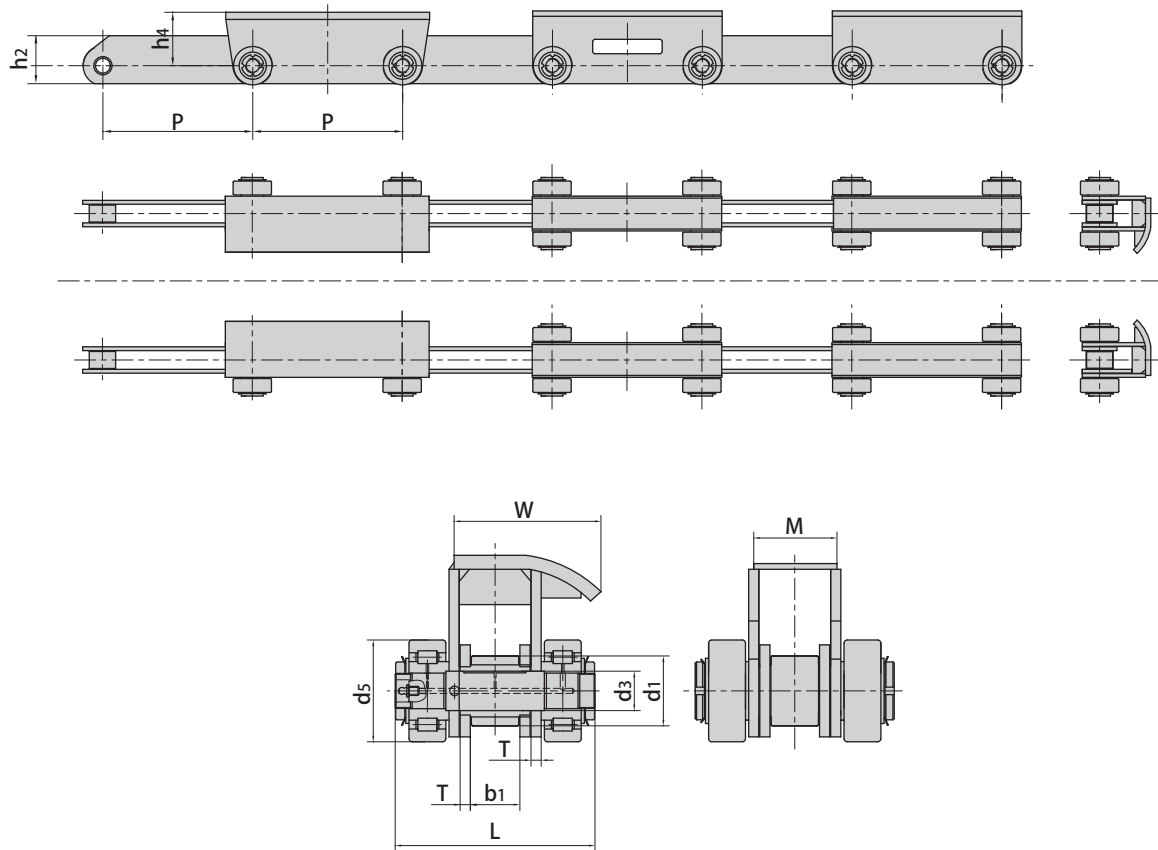


Conveyor chains for steel mill



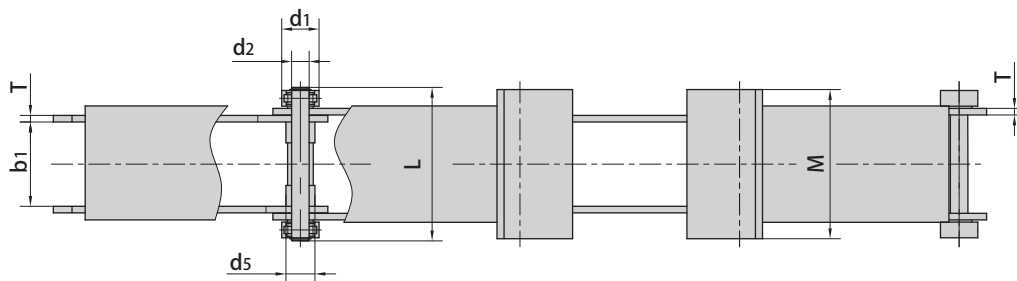
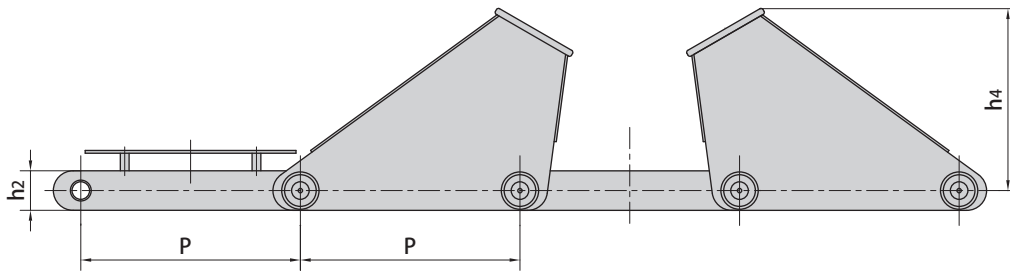
Donghua Chain No.	Pitch	Roller diameter	Width between outer plates	Pin diameter	Pin length	Plate depth	Plate thickness	Attachment dimension		Average tensile strength
	P	d1 max	b2 min	d2 max	Lc max	h2	t/T max	h4	W	Q0
	mm	mm	mm	mm	mm	mm	mm	mm	mm	kN/lbf
P600F1	600	150	117	38	187	122	18/15	105.7	220	1470/330687

Conveyor chains for steel mill



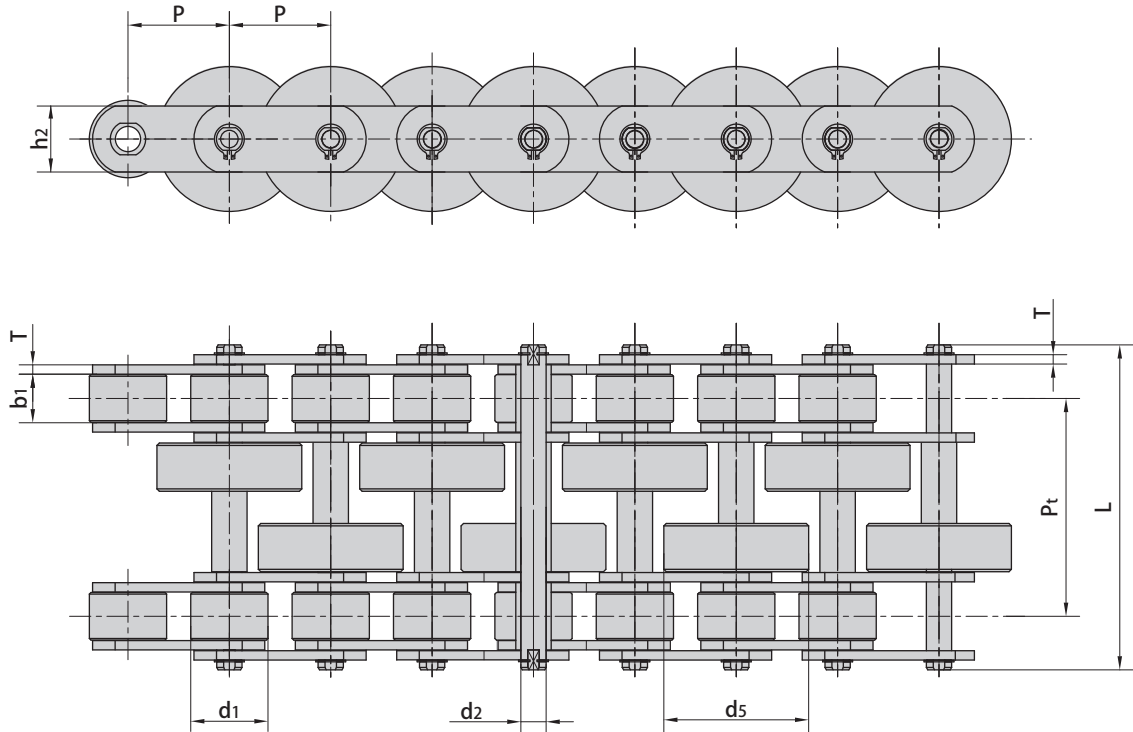
Donghua Chain No.	Pitch	Roller diameter		Width between inner plates	Pin diameter	Pin length	Plate thickness	Attachment dimension				Ultimate tensile strength
	P	d1 max	d5 max	b1	d3 max	L max	T max	W	M	h2	h4	Q min
	mm	mm	mm	mm	mm	mm	mm	mm	mm	mm	mm	kN/lbf
P625	625	107	160	78	62	310	16	227.5	130	200	215	700/157470

Conveyor chains for steel mill



Donghua Chain No.	Pitch	Roller diameter		Width between inner plates		Pin diameter	Plate depth	Pin length	Plate thickness	Attachment dimension		Ultimate tensile strength
	P	d1 max	d5 max	b1 min	d2 max	h2	L max	T max	h4	M	Q min	
	mm	mm	mm	mm	mm	mm	mm	mm	mm	mm	kN/lbf	
P1000	1000	170	110	384	80	180	678	30	832	680	1800/404923	

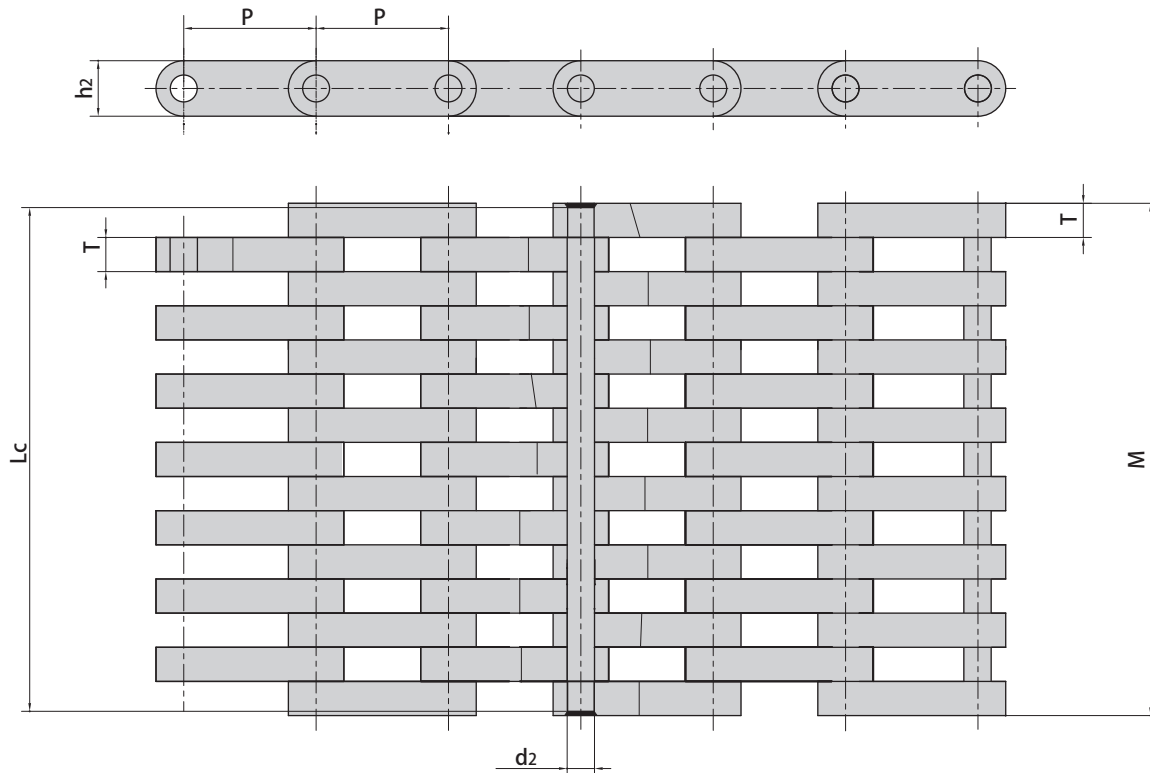
Conveyor chains for steel mill



Donghua Chain No.	Pitch	Roller diameter		Width between inner plates	Pin diameter	Pin length	Plate thickness	Plate depth	Transverse pitch	Ultimate tensile strength	Weight per meter
	p	d1 max	d5 max	b1 min	d2 max	L max	T max	h2 max	Pt	Q min	q
	mm	mm	mm	mm	mm	mm	mm	mm	mm	kN/lbf	kg/m
P63F4	63	48	90	30	15.88	202	6	41	135	200/44991	36.57



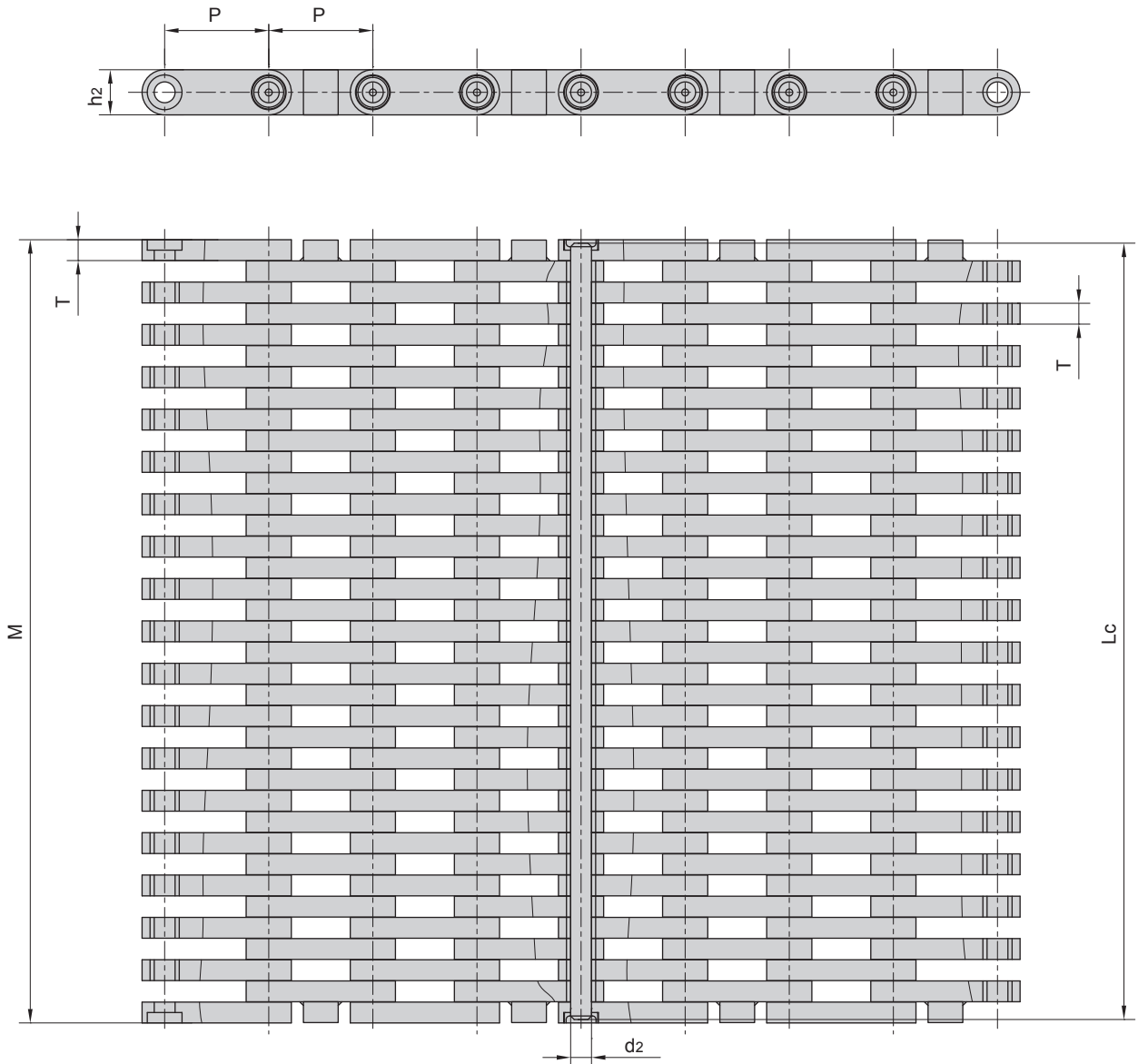
Conveyor chains for steel mill



Donghua Chain No.	Pitch	Plate lacing	Pin diameter	Pin length	Plate thickness	Plate dimension		Ultimate tensile strength	Average tensile strength	Weight per meter
	P		d ₂ max	L _c max	T max	h ₂	M	Q _{min}	Q ₀	q
	mm		mm	mm	mm	mm	mm	kN/lbf	kN/lbf	kg/m
LF155	155	7x8	31.5	595	40	65	605	3200/719864	3520/791851	202.2

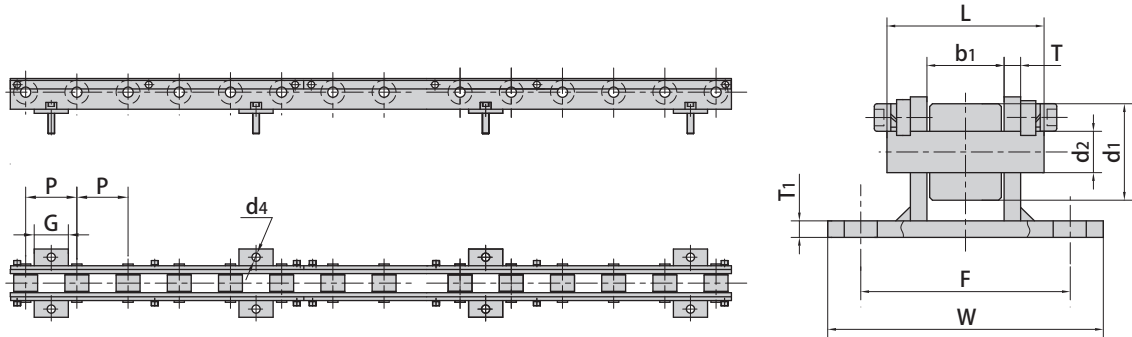


Conveyor chains for steel mill

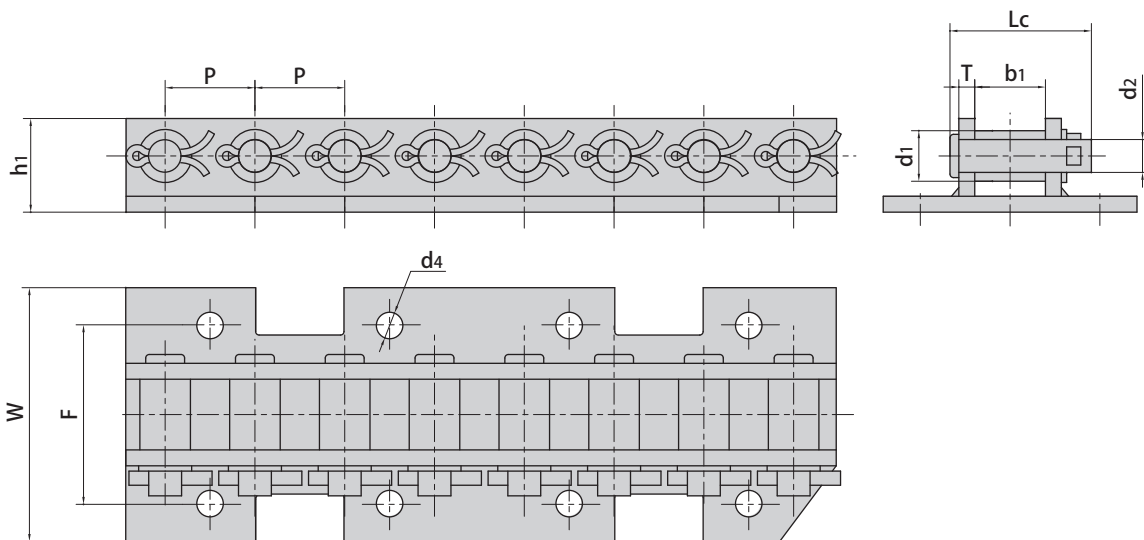


Donghua Chain No.	Pitch	Plate lacing	Pin diameter	Pin length	Plate thickness	Plate dimension		Ultimate tensile strength	Average tensile strength	Weight per meter
	P		d2 max	Lc max	T max	h2	M	Q min	Q0	q
	mm		mm	mm	mm	mm	mm	kN/lbf	kN	kg/m
LF150F1	150	18×19	30	1117	30	65	1119	5200/1169000	5700	365

Conveyor chains for steel mill



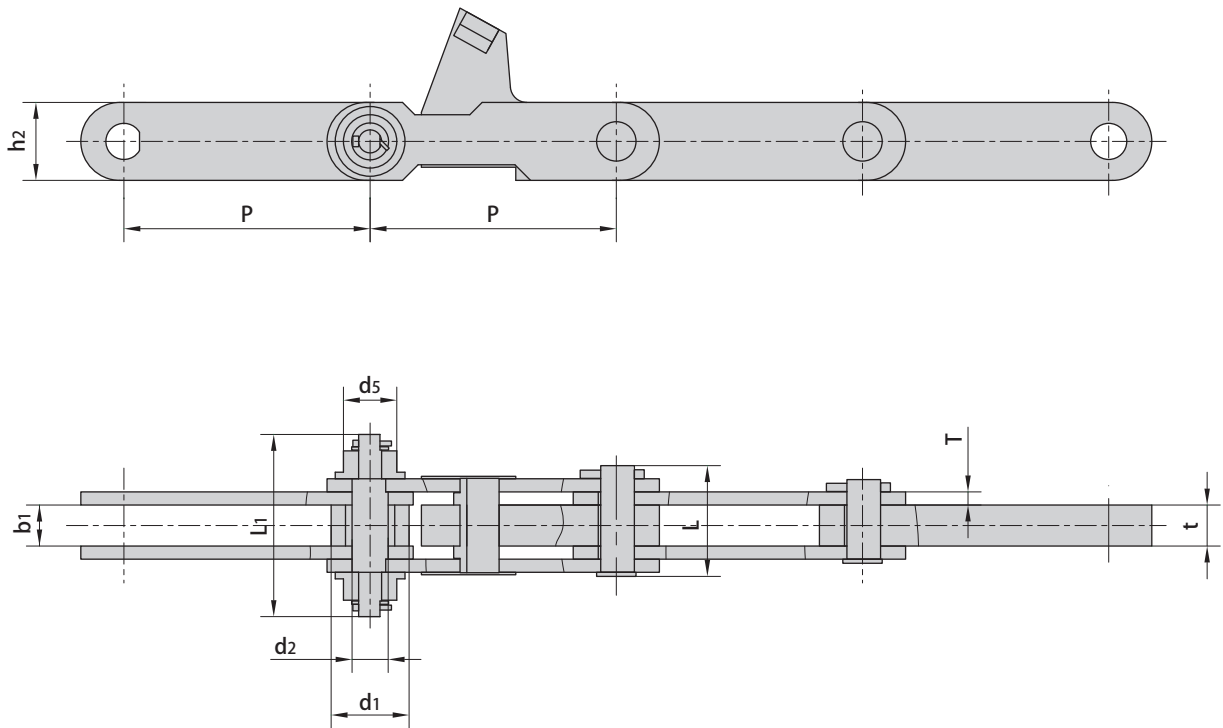
Donghua Chain No.	Pitch	Roller diameter	Width between inner plates	Pin diameter	Pin length	Plate thickness	Attachment dimension					Weight per meter
	P	d1 max	b1	d2 max	L max	T max	T1	W	F	d4	G	q
	mm	mm	mm	mm	mm	mm	mm	mm	mm	mm	mm	Kg/m
P75F9	75	35	28	15	56	6	6	100	76	12	75	22.3



Donghua Chain No.	Pitch	Roller diameter	Width between inner plates	Pin diameter	Pin length	Plate thickness	Attachment dimension				Ultimate tensile strength	Weight per meter
	P	d1 max	b1	d2 max	Lc max	T max	F	W	d4	h1	Q min	q
	mm	mm	mm	mm	mm	mm	mm	mm	mm	mm	kN/lbf	kg/m
P50.8F10	50.8	28.6	40	18.5	80	9	101.6	143.6	15	53	193/43416	11.2

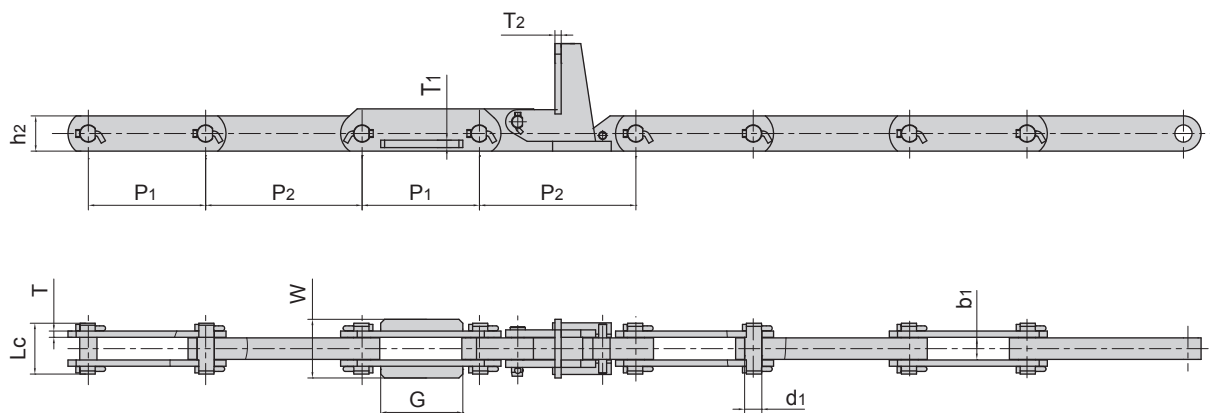
Conveyor chains for steel mill

CONVEYOR CHAINS

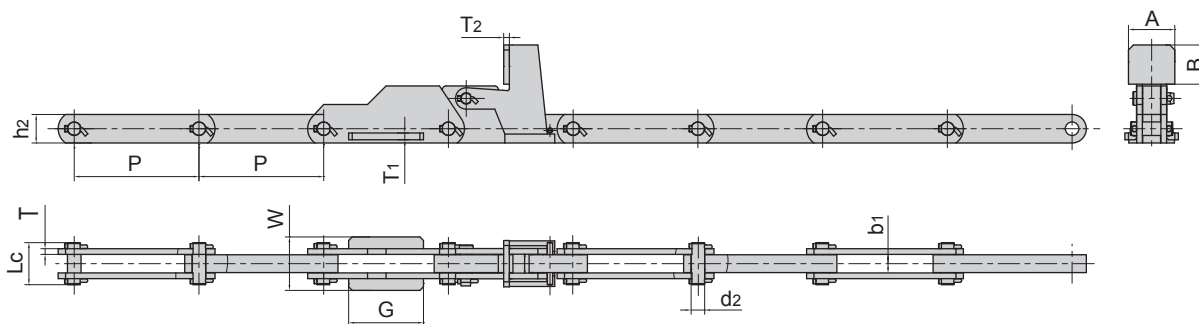


Donghua Chain No.	Pitch	Roller diameter		Width between inner plates	Pin diameter		Pin length		Plate thickness	Ultimate tensile strength
	P	d1 max	d5 max	b1 min	d2 max	L max	L1 max	t/T max	Q min	
	mm	mm	mm	mm	mm	mm	mm	mm	kN/lbf	
P300F5	300	95	65	50	44	135	222	50/16	500/112478	

Conveyor chains for steel mill

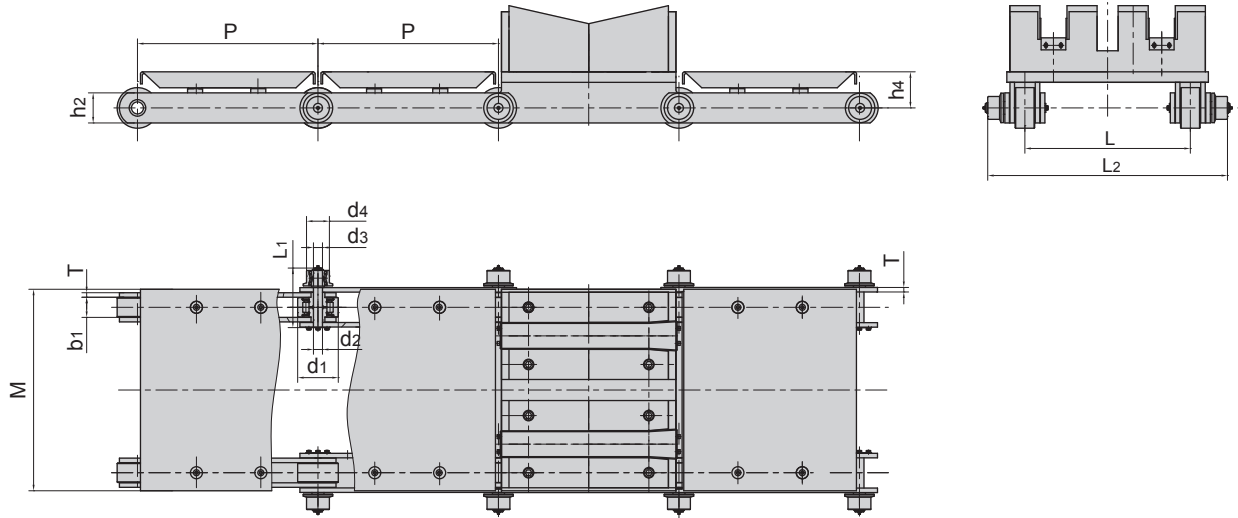


Donghua Chain No.	Pitch		Width between outer plates	Pin diameter	Pin length	Plate dimension		Ultimate tensile strength	Attachment dimension			
	P ₁	P ₂	b ₁ min	d ₂ max	L _c max	h ₂	T	Q _{min}	G	W	T ₁	T ₂
	mm	mm	mm	mm	mm	mm	mm	kN/lbf	mm	mm	mm	mm
BC300/400F1	300	400	58	42	130	90	16	1270/285500	210	150	19	16

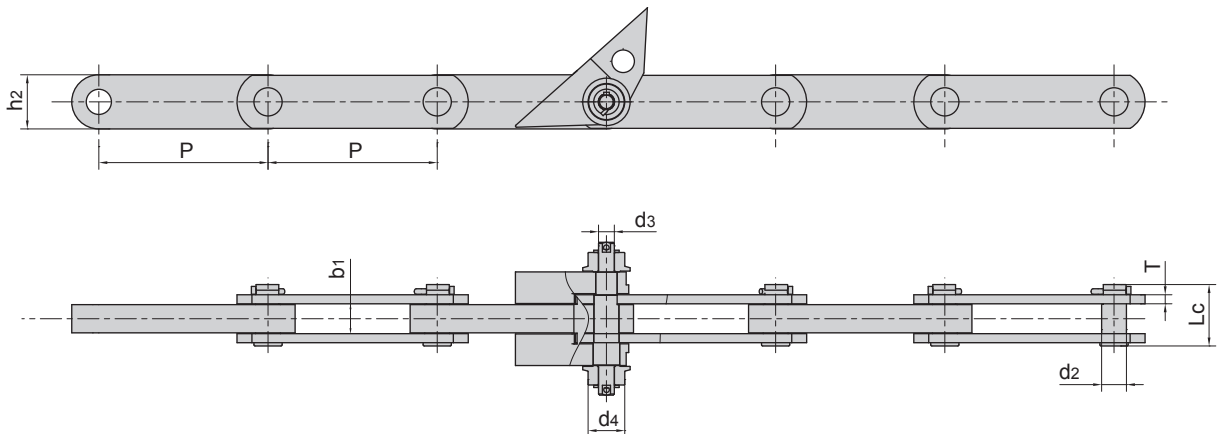


Donghua Chain No.	Pitch	Width between outer plates	Pin diameter	Pin length	Plate dimension		Ultimate tensile strength	Attachment dimension					
	P	b ₁ min	d ₂ max	L _c max	h ₂	T	Q _{min}	G	W	T ₁	T ₂	A	B
	mm	mm	mm	mm	mm	mm	kN/lbf	mm	mm	mm	mm	mm	mm
BC350F1	350	53	38	118	80	16	1080/242793	210	150	19	16	130	110

Conveyor chains for steel mill

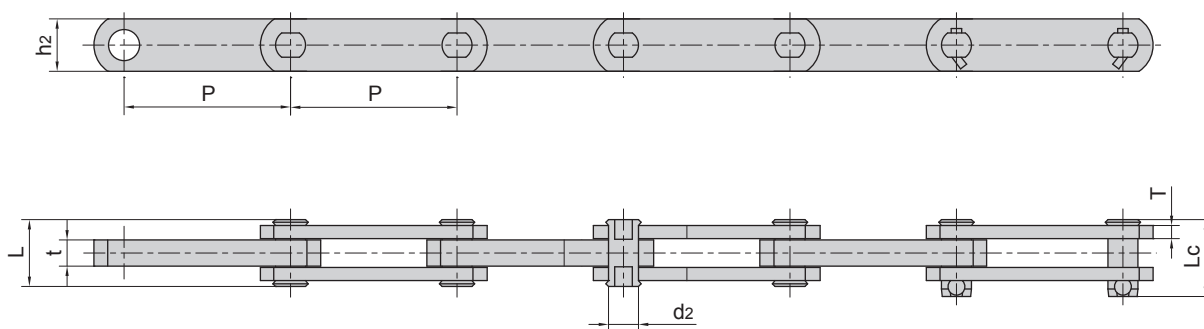


Donghua Chain No.	Pitch		Roller diameter		Width between inner plates		Pin diameter		Pin length		Plate dimension				Attachment dimension		Ultimate tensile strength
	P	d1 max	d5	b1 min	d2 max	d3 max	Lc max	h2	T max	L	L2	M	h4	Q min			
	mm	mm	mm	mm	mm	mm	mm	mm	mm	mm	mm	mm	mm	kN/lbf			
P600F3	600	135	76	68	30	30	200.3	100	15	550	794	670	120	1000/224809			



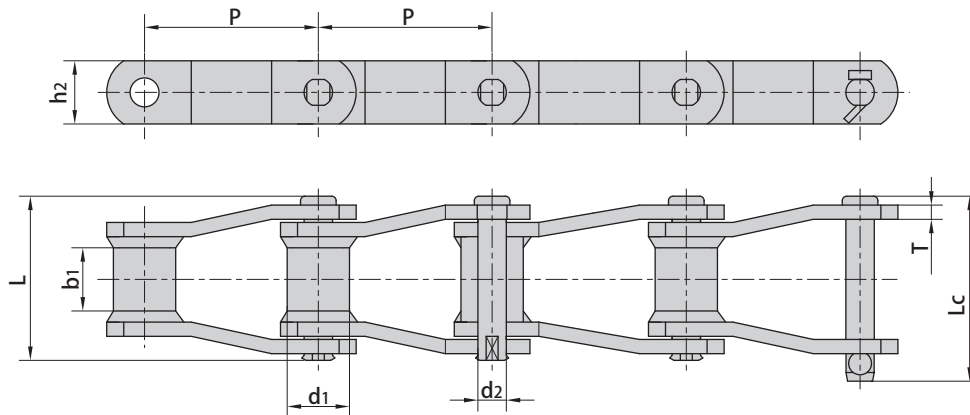
Donghua Chain No.	Pitch		Roller diameter		Width between outer plates		Pin diameter		Pin length		Plate dimension		Ultimate tensile strength
	P	d4 max	b1	d2 max	d3 max	Lc max	h2	T max	Q min				
	mm	mm	mm	mm	mm	mm	mm	mm	kN/lbf				
P300F7	300	65	53	44	28	108.9	96	16	500/112404				

Block chain



Donghua Chain No.	Pitch	Pin diameter	Pin length		Plate depth	Plate thickness	Ultimate tensile strength	Average tensile strength	Weight per meter
	P	d2 max	L max	Lc max	h2 max	t/T max	Q min	Q0	q
	mm	mm	mm	mm	mm	mm	kN/lbf	kN	kg/m
BC41.3	41.3	7.94	29.4	-	15.9	15.9/6.4	45.0/10116	50.0	2.30
P100F113	100.0	12.00	30.5	36.0	30.0	12.0/6.0	100.0/22480	110.0	3.59
P127F4	127.0	22.86	51.5	-	40.0	20.0/10.0	170.0/38217	187.0	11.60
BC127F1	127.0	20.00	50.0	57.5	40.0	20.0/10.0	280.0/62946	308.0	7.90
BC150	150.0	32.00	78.0	86.0	65.0	32.0/16.0	637.0/143203	700.0	21.10
BC200F1	200.0	22.12	60.0	-	44.5	30.0/9.5	276.4/62137	304.0	10.23
BC200F2	200.0	26.45	66.0	-	55.0	28.0/12.7	534.9/120250	588.0	14.10
BC200F3	200.0	22.12	60.0	-	50.8	30.0/9.5	401.2/90193	441.0	11.80
BC250F1	250.0	26.45	72.0	-	55.0	32.0/12.7	534.9/120250	588.0	14.60
BC250F2	250.0	26.45	72.0	-	50.8	32.0/12.7	454.0/102063	490.0	13.40
BC300F1	300.0	26.50	65.0	-	57.0	30.0/12.7	735.0/165234	808.0	14.40

Welded type cranked link chains

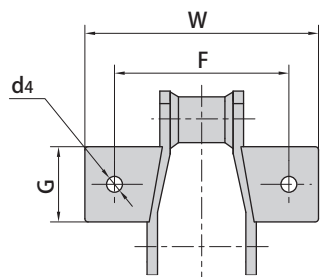


Donghua Chain No.	Pitch	Bush diameter	Width between inner plates	Pin diameter	Pin length		Plate depth	Plate thickness	Ultimate tensile strength	Average tensile strength	Weight per meter
	P mm	d1 max mm	b1 min mm	d2 max mm	L max mm	Lc max mm	h2 max mm	T mm	Q min kN/lbf	Q0 kN	q kg/m
WR78 WH78	66.27	22.90	28.40	12.78	73.00	79.3	28.4	6.4	93.4/21227 106.8/24273	102.70 117.50	6.20
WR82 WH82	78.10	31.50	31.80	14.35	80.00	86.0	31.8	6.4	100.1/22750 131.2/29818	110.10 144.30	7.98
WR106 WH106	152.40	37.10	41.20	19.13	103.00	111.0	38.1	9.7	169.0/38409 224.6/51045	185.90 247.00	10.56
WR110 WH110	152.40	32.00	46.70	19.13	107.70	115.5	38.1	9.7	169.0/38409 224.6/51045	185.90 247.00	10.40
WR111 WH111	120.90	37.10	57.20	19.13	116.80	124.5	38.1	9.7	169.0/38409 224.6/51045	185.90 247.00	12.72
WR124 WH124	101.60	37.10	41.20	19.13	103.00	110.0	38.1	9.7	169.0/38409 224.6/51045	185.90 247.00	12.38
WR124H WH124H	103.20	41.70	41.20	22.30	131.60	133.0	50.8	12.7	275.8/62682 355.9/80886	303.30 391.40	19.68
WR132 WH132	153.67	44.70	76.20	25.48	151.00	162.2	50.8	12.7	275.8/62682 378.1/85932	303.30 415.90	20.00
WR150 WH150	153.67	44.45	73.00	25.40	151.00	162.2	63.5	12.7	620.0/140907	682.00	20.50
WR155 WH155	153.67	44.45	73.00	28.57	164.00	176.0	63.5	12.7	820.0/186361	902.00	20.70
WR157 WH157	153.67	44.45	76.20	28.57	164.00	176.0	63.5	15.9	820.0/186361	902.00	20.80
WR78F5 WH78F4	66.27	21.30	20.00	12.70	62.99	66.1	25.4	6.4	66.7/14994 106.8/24009	73.37 117.48	5.00 5.94
WH124F1	101.60	31.75	38.10	19.05	101.50	109.5	38.1	9.5	253.0/56876	278.00	11.40
WH111F1	120.90	36.50	57.20	19.05	120.60	120.6	38.1	9.5	272.0/61148	299.20	12.63

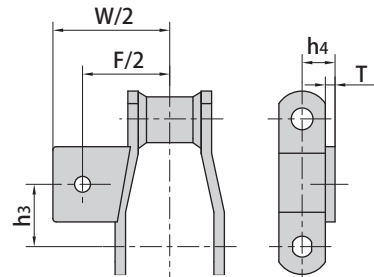
Note: WR - Welded steel chain - only pins & bushes heat treated
WH - Welded steel chain - all heat treated

Welded steel chain attachments

With K1 attachments

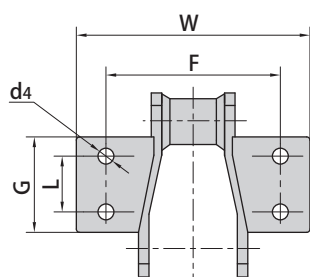


With A1 attachments

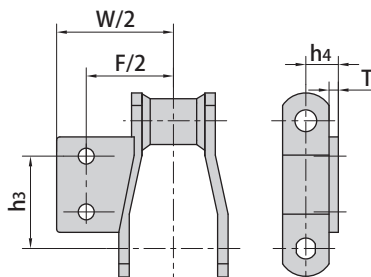


Donghua Chain No.	h3	G	F	W	h4	d4	T
	mm	mm	mm	mm	mm	mm	mm
WR78 WH78	31.8	36.6	101.6	130.0	22.4	9.7	6.4
WR82 WH82	38.1	46.0	106.7	142.7	23.9	9.7	6.4

With K2 attachments

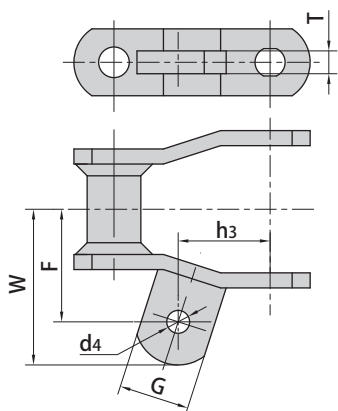


With A2 attachments



Donghua Chain No.	L	G	h3	F	W	h4	d4	T
	mm	mm	mm	mm	mm	mm	mm	mm
WR78 WH78	28.4	52.3	38.9	101.6	130.0	22.4	9.7	6.4
WR82 WH82	33.3	62.0	52.3	108.2	142.7	23.9	9.7	6.4
WR110 WH110	44.4	84.1	98.6	135.1	168.1	30.0	9.7	9.7
WR111 WH111	58.7	90.4	89.9	159.0	193.5	30.0	12.7	9.7
WR124 WH124	49.3	77.7	71.4	133.6	180.8	30.0	9.7	9.7
WR124H WH124H	49.3	80.8	73.2	133.6	165.6	39.6	12.7	12.7
WR132 WH132	69.8	80.8	106.2	190.5	234.7	39.6	12.7	12.7

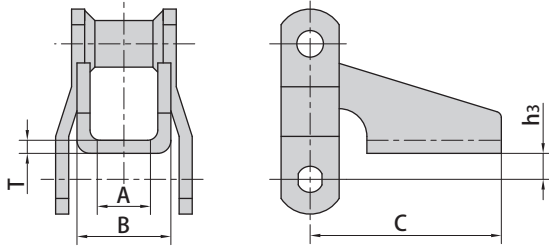
With A22 attachments



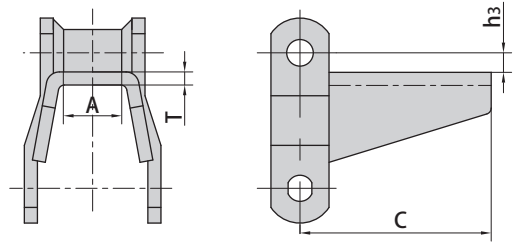
Donghua Chain No.	h3	G	F	W	d4	T
	mm	mm	mm	mm	mm	mm
WR78 WH78	33.3	30	47.8	65.0	9.7	9.7

Welded steel chain attachments

With H1 attachments



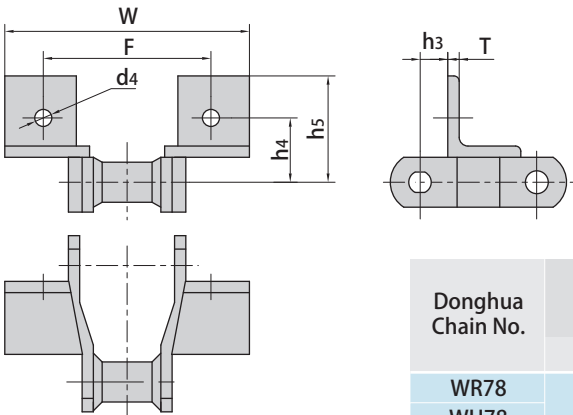
With H2 attachments



Donghua Chain No.	h3	A	B	C	T
	mm	mm	mm	mm	mm
WR78 WH78	12.7	22.4	50.8	93.5	6.4
WR82 WH82	15.7	28.4	57.2	93.5	6.4

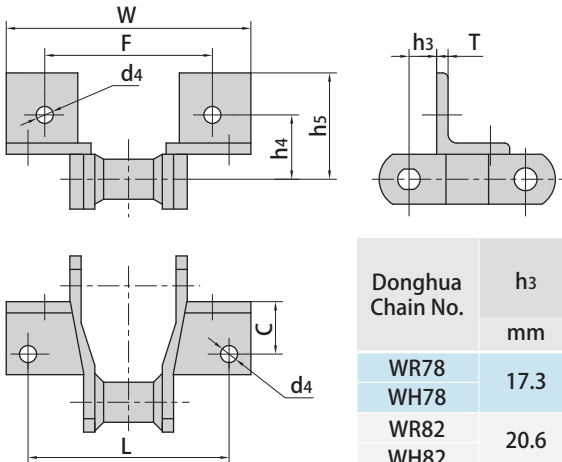
Donghua Chain No.	h3	A	C	T
	mm	mm	mm	mm
WR78 WH78	7.9	20.8	93.5	6.4
WR82 WH82	7.9	26.4	96.8	6.4

With F2 attachments



Donghua Chain No.	h3	h4	h5	F	W	d4	T
	mm	mm	mm	mm	mm	mm	mm
WR78 WH78	15.7	36.6	60.5	95.5	138.2	9.7	6.4

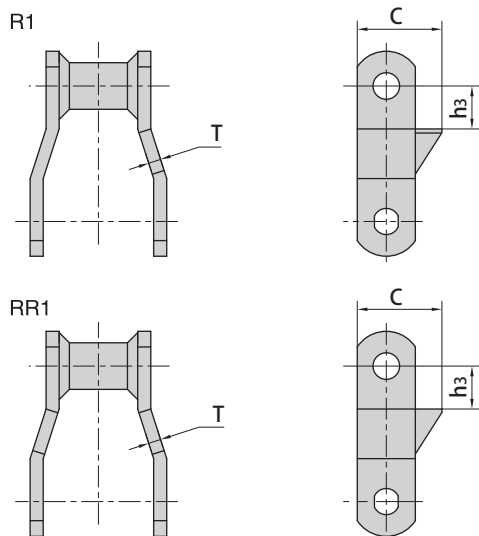
With F4 attachments



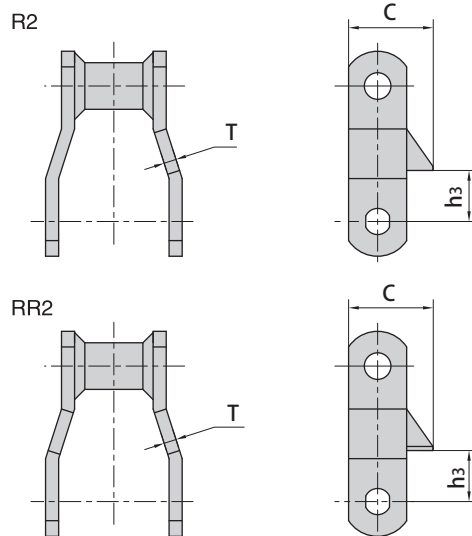
Donghua Chain No.	h3	h4	h5	L	C	F	W	d4	T
	mm	mm	mm	mm	mm	mm	mm	mm	mm
WR78 WH78	17.3	44.4	60.5	114.3	31.8	95.2	141.2	9.7	6.4
WR82 WH82	20.6	46.2	62.0	127.0	28.4	104.6	150.9	9.7	6.4
WR124 WH124	22.4	52.3	73.2	133.6	36.6	111.3	157.0	9.7	9.7

Welded steel chain attachments

With R1 & RR1 attachments



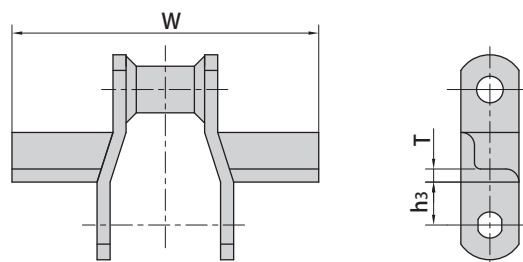
With R2 & RR2 attachments



Donghua Chain No.	h ₃	C	T
	mm	mm	mm
WR78 WH78	17.3	41.1	6.4
WR82 WH82	22.4	49.3	6.4
WR124 WH124	31.8	49.3	9.7

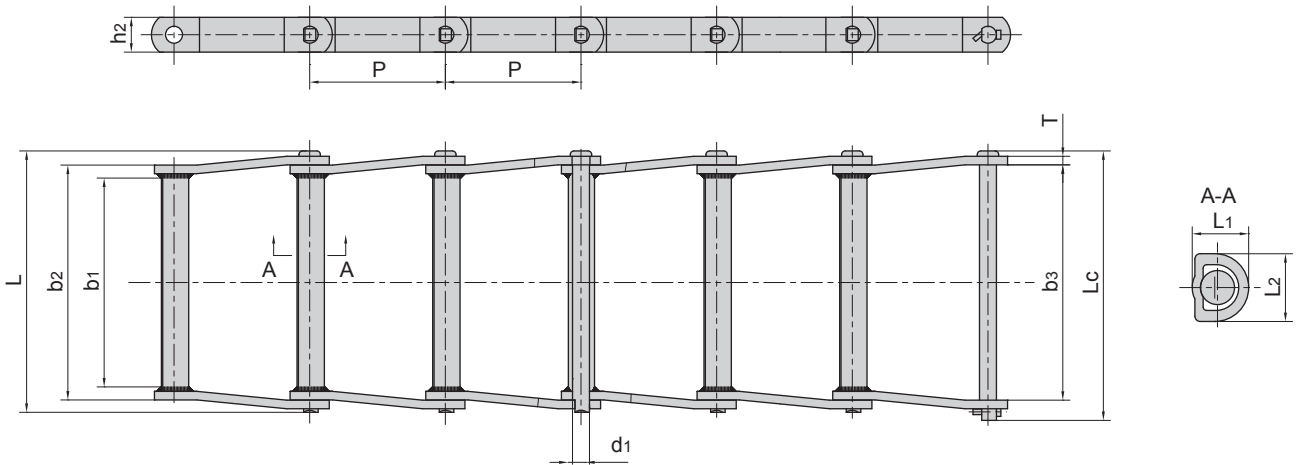
Donghua Chain No.	h ₃	C	T
	mm	mm	mm
WR78 WH78	17.3	41.1	6.4
WR82 WH82	22.4	49.3	6.4
WR124 WH124	31.8	49.3	9.7

With W1 attachments



Donghua Chain No.	h ₃	W	T
	mm	mm	mm
WR78 WH78	19.1	153.9	6.4
WR82 WH82	23.9	166.6	6.4
WR124 WH124	30.0	217.4	6.4
WR124H WH124H	35.1	217.4	9.7
WR132 WH132	38.1	316.0	9.7

Welded steel type cranked link drag chains



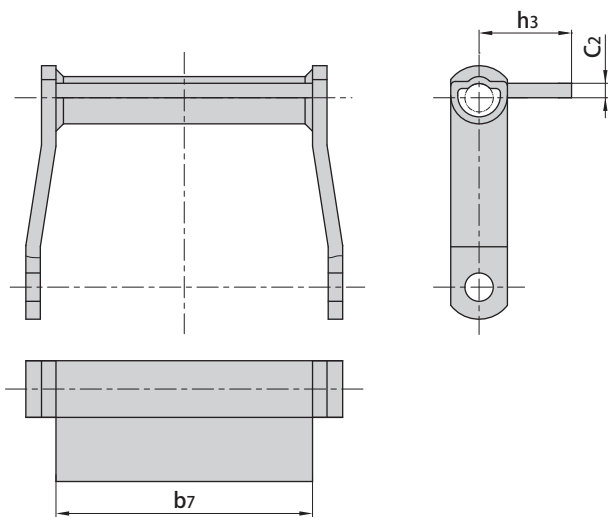
CONVEYOR CHAINS

ISO Chain No.	Pitch	Bush A-A section length	Bush A-A section height	Width between narrow linkend	Pin diameter end	Width over narrow linkend	Width between broad linkend	Plate depth
	P	L1	L2	b1 min	d1 max	b2 max	b3 min	h2 max
	mm	mm	mm	mm	mm	mm	mm	mm
WD102	127.0	31.7	39.1	162.0	19.13	197.1	197.6	38.12
WD104	152.4	31.7	39.1	104.6	19.13	136.9	137.4	38.12
WD110	152.4	31.7	39.1	228.6	19.13	263.9	264.4	38.12
WD112	203.2	31.7	39.1	228.6	19.13	263.9	264.4	38.12
WD113	152.4	33.2	39.1	228.6	22.30	270.2	270.7	38.12
WD116	203.2	36.6	45.2	330.2	19.13	359.1	359.6	45.21
WD118	203.2	44.5	51.8	336.5	22.30	378.2	378.7	51.80
WD122	203.2	44.5	51.8	222.2	22.30	260.6	261.1	51.80
WD480	203.2	44.5	51.8	282.4	22.30	324.1	324.6	51.80

ISO Chain No.	Pin length		Plate thickness	Ultimate tensile strength	
	L max	Lc max	T	Q min	Q min
	mm	mm	mm	kN/lbf	kN/lbf
				Only pin hardened	All parts hardened
WD102	255.6	245.4	9.7	170/38217.0	245/55078.20
WD104	188.0	181.4	9.7	170/38217.0	245/55078.20
WD110	315.0	308.6	9.7	170/38217.0	245/55078.20
WD112	315.0	308.6	9.7	170/38217.0	245/55078.20
WD113	330.2	322.3	12.7	213/47884.3	253/56876.68
WD116	410.4	405.9	9.7	245/55078.2	262/58899.90
WD118	440.0	431.1	12.7	311/69915.6	351/78907.96
WD122	324.2	314.5	12.7	311/69915.6	351/78907.96
WD480	387.6	378.0	12.7	311/69915.6	351/78907.96

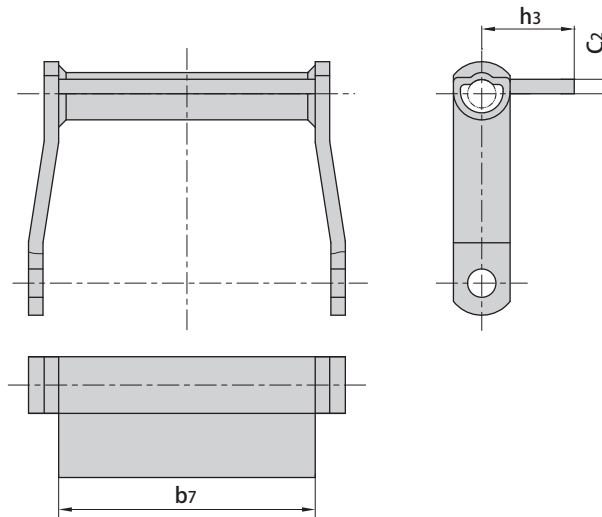
Welded steel type cranked link drag chain attachments

With C1 attachments



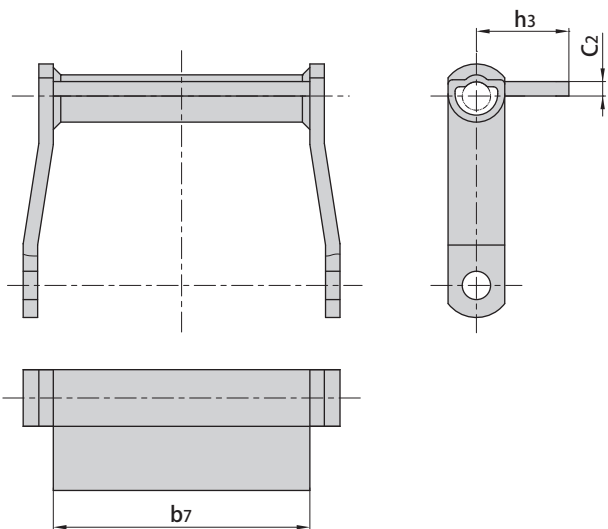
ISO Chain No.	C2	b7 max	h3 max
	mm	mm	mm
WD102	9.7	197.1	62.0
WD104	9.7	136.9	62.0
WD110	9.7	263.9	62.0
WD112	9.7	263.9	62.0
WD116	9.7	359.2	68.1

With C4 attachments



ISO Chain No.	C2	b7 max	h3 max
	mm	mm	mm
WD102	9.7	197.1	96.8
WD104	9.7	136.9	96.8
WD110	9.7	263.9	96.8
WD112	9.7	263.9	96.8
WD113	12.7	270.3	122.2
WD116	9.7	359.2	125.5
WD480	12.7	324.1	128.5

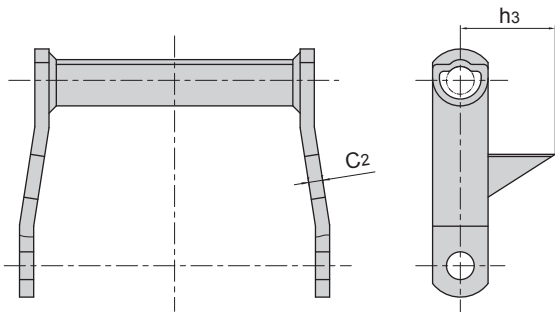
With C3 attachments



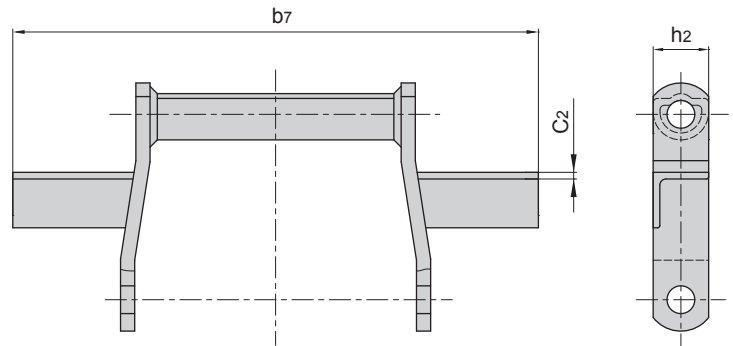
ISO Chain No.	C2	b7 max	h3 max
	mm	mm	mm
WD110	12.7	263.9	58.7
WD113	12.7	270.3	58.7
WD118	12.7	378.2	77.7
WD480	12.7	324.1	77.7

Welded steel type cranked link drag chain attachments

With RR attachments



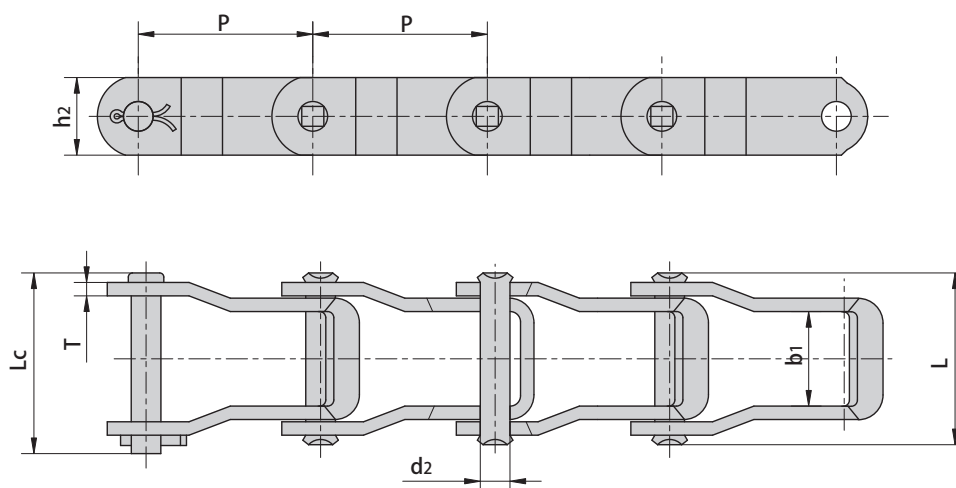
With Wing attachments



ISO Chain No.	C2	h3 max
	mm	mm
WD102	9.7	65.0
WD104	9.7	65.0
WD110	9.7	65.0
WD112	9.7	65.0
WD113	12.7	65.0
WD116	9.7	77.7
WD118	12.7	79.2
WD480	12.7	84.1

ISO Chain No.	C2	b7 max	h2 max
	mm	mm	mm
WD102	9.7	365.3	39.6
WD104	9.7	295.1	39.6
WD110	9.7	434.8	39.6
WD112	9.7	434.8	39.6
WD113	9.7	434.8	39.6
WD116	9.7	434.8	39.6
WD118	9.7	561.8	46.0
WD480	9.7	561.8	52.3

Steel pintle chains

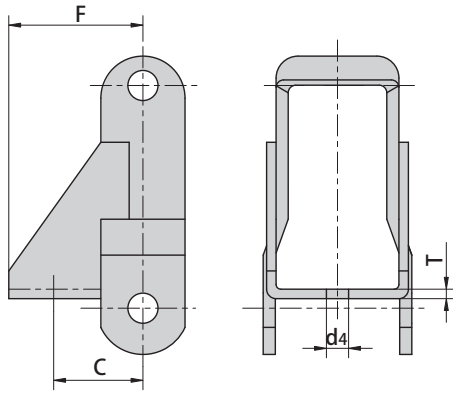


Donghua Chain No.	Pitch	Width between inner plates	Pin diameter	Pin length		Plate depth	Plate thickness	Ultimate tensile strength	Average tensile strength	Weight per meter
	P	b1 min	d2 max	L max	Lc max	h2 max	T	Q min	Q0	q
	mm	mm	mm	mm	mm	mm	mm	kN/lbf	kN	kg/m
662	42.27	22.9	7.19	41.2	44.2	18.8	3.2	37.80/8591	41.5	1.63
667H	58.75	25.4	7.94	43.7	46.7	22.2	3.2	42.30/9614	46.5	1.87
667X	57.15	26.6	11.10	50.2	55.0	23.8	4.3	66.70/15159	73.3	2.98
667XH	57.15	27.4	11.91	58.0	62.0	27.3	5.7	124.50/28295	136.9	4.34
667K	57.15	27.4	11.10	55.5	60.0	27.3	5.1	89.00/20227	97.9	3.91
667J	57.15	26.6	9.53	50.2	55.0	27.3	4.3	62.28/14155	68.5	2.81
88K	66.27	27.4	11.10	55.5	60.0	27.3	5.1	89.00/20227	97.9	3.73
88C	66.27	31.4	12.70	64.6	69.0	28.9	6.4	133.36/30309	146.6	5.17

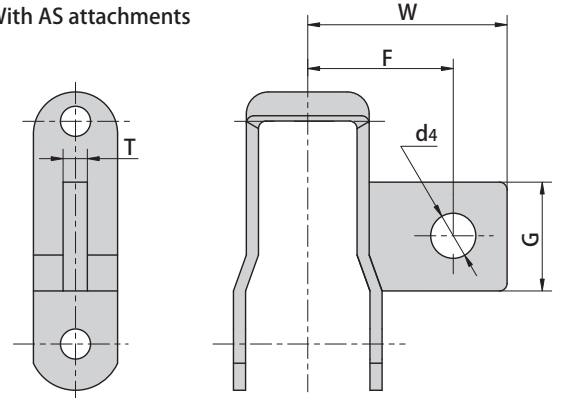
Steel pintle chain attachments

CONVEYOR CHAINS

With C1 attachments



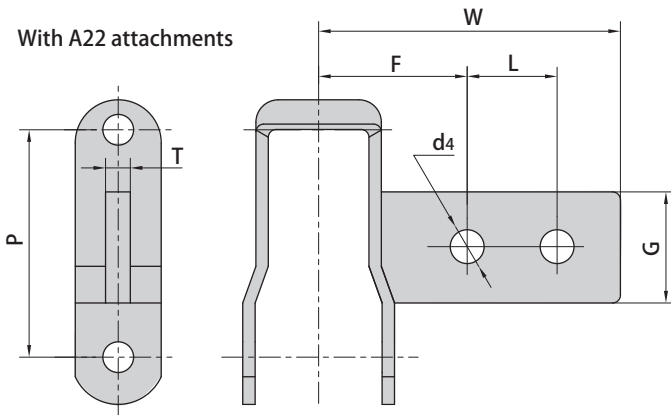
With AS attachments



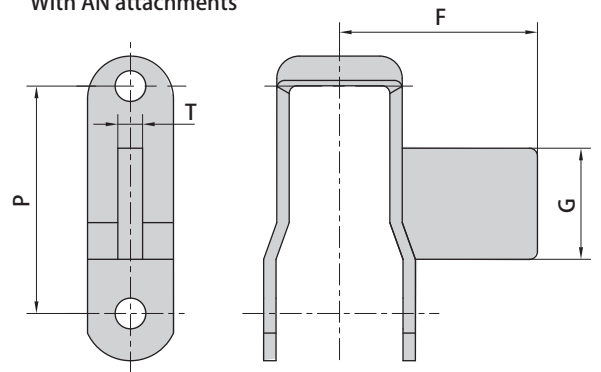
Donghua Chain No.	C	F	d4	T
	mm	mm	mm	mm
662	22.9	37.2	7.00	2.8
667H	25.4	38.9	7.00	4.8
667X	29.5	39.7	7.00	4.8

Donghua Chain No.	G	F	W	d4	T
	mm	mm	mm	mm	mm
662	24.2	35.9	48.4	7.00	4.3
667H	29.7	51.6	66.6	8.50	6.4
667X	29.7	51.6	69.0	8.50	7.9
667K	32.5	51.6	72.2	10.00	9.5
88K	32.5	51.6	72.2	10.00	9.5

With A22 attachments



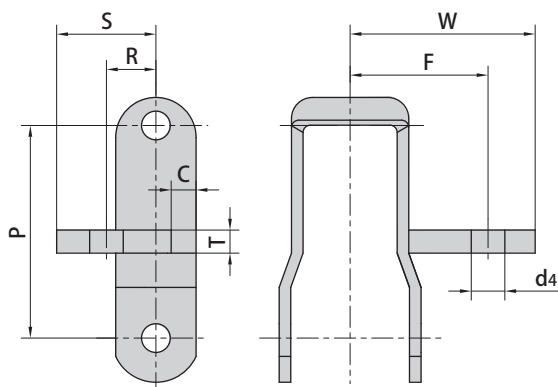
With AN attachments



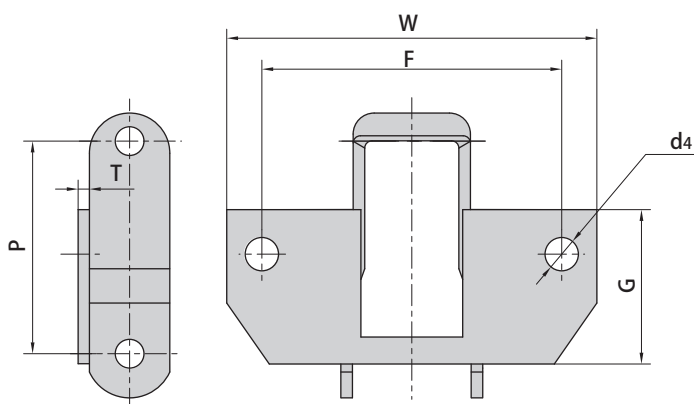
Donghua Chain No.	P	G	F	L	W	d4	T
	mm	mm	mm	mm	mm	mm	mm
662	42.27	24.2	34.9	15.9	60.3	6.75	4.3
88C	66.27	32.5	54.0	63.5	136.5	9.92	9.5
88K	66.27	32.5	54.0	63.5	136.5	9.92	9.5

Donghua Chain No.	P	G	F	T
	mm	mm	mm	mm
662	42.27	24.2	47.6	4.3
667H	58.75	29.7	69.0	6.4
667X	57.15	29.7	68.3	7.9
667K	57.15	32.5	68.3	9.5
88K	66.27	32.5	68.3	9.5

Steel pintle chain attachments

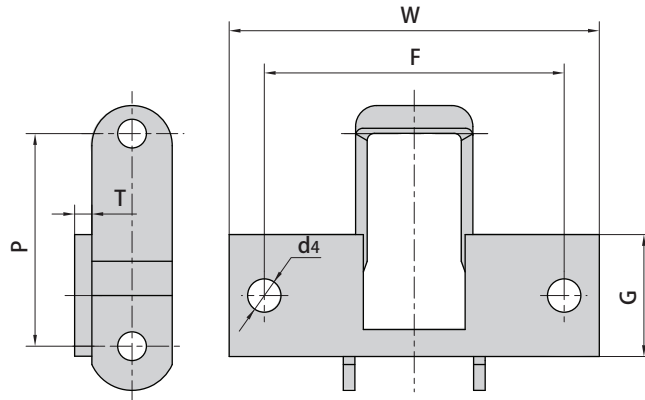


Donghua Chain No.	Attachment No.	P	R	S	F	W	d4	T	C
		mm	mm	mm	mm	mm	mm	mm	mm
662	G28	42.27	20.6	33.3	31.8	43.7	6.75	6.4	4.8
662	G30	42.27	19.1	33.3	33.3	48.0	8.33	6.4	4.8
662	G30S	42.27	19.1	33.3	33.3	48.0	8.73	6.4	4.8
667H	G27S	58.75	19.1	31.8	51.6	65.9	9.92	6.4	6.4

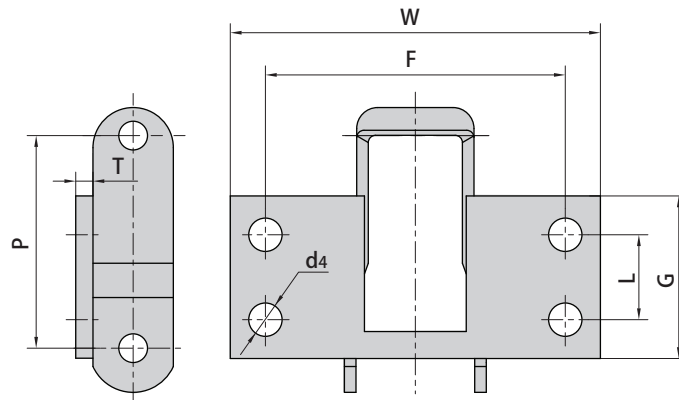


Donghua Chain No.	Attachment No.	P	G	F	W	d4	T
		mm	mm	mm	mm	mm	mm
662	K1	42.27	34.9	62.7	82.6	6.75	3.2
662	K19	42.27	34.9	50.8	71.4	6.75	3.2
667X	K1	57.15	34.9	62.7	82.6	6.75	3.2
667H	K1	58.75	34.9	62.7	82.6	6.75	3.2

Steel pintle chain attachments

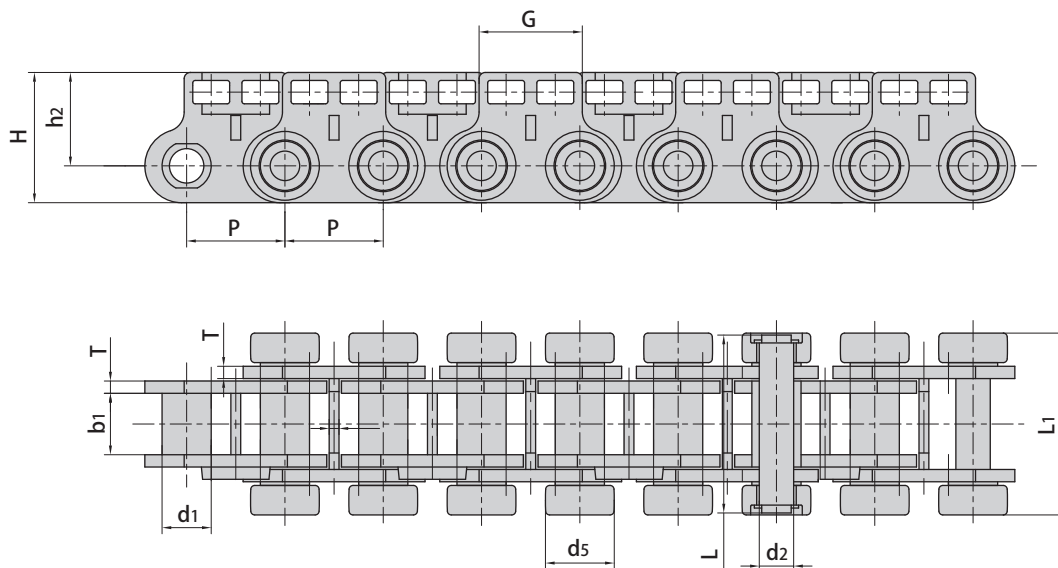
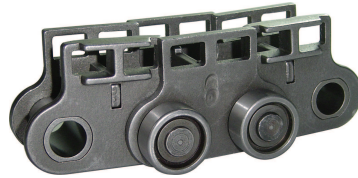


Donghua Chain No.	Attachment No.	P	G	F	W	d4	T
		mm	mm	mm	mm	mm	mm
88K	K1C	66.27	47.6	95.3	127.0	9.92	4.8
88K	K1M	66.27	47.6	101.6	127.0	9.92	4.8
88K	K1P	66.27	47.6	96.8	127.0	9.92	4.8



Donghua Chain No.	Attachment No.	P	L	G	F	W	d4	T
		mm	mm	mm	mm	mm	mm	mm
88K	K2C	66.27	31.8	57.2	106.4	127.0	9.92	4.8
88K	K2M	66.27	31.8	57.2	101.6	127.0	9.92	4.8
88K	K2P	66.27	31.8	57.2	92.0	127.0	9.92	4.8

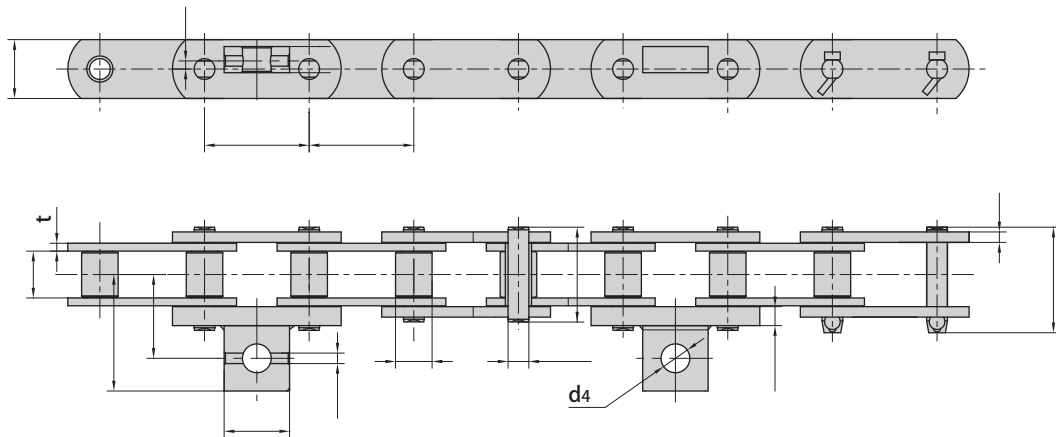
Conveyor chains for fibreboard equipment



Donghua Chain No.	P	G	L1	h2	d5	t
	mm	mm	mm	mm	mm	mm
P40	40.0	42.0	75.0	38.0	28.0	4.0

Donghua Chain No.	Pitch	Bush diameter	Width between inner plates	Pin diameter	Pin length	Plate depth	Plate thickness	Ultimate tensile strength	Weight per meter
	P	d1 max	b1 min	d2 max	L max	H max	T max	Q min	q
	mm	mm	mm	mm	mm	mm	mm	kN/lbf	kg/m
P40	40.0	20.0	25.0	14.0	73.0	53.0	5.0	90.0/20250	10.67

Conveyor chains for crawler asphalt paver

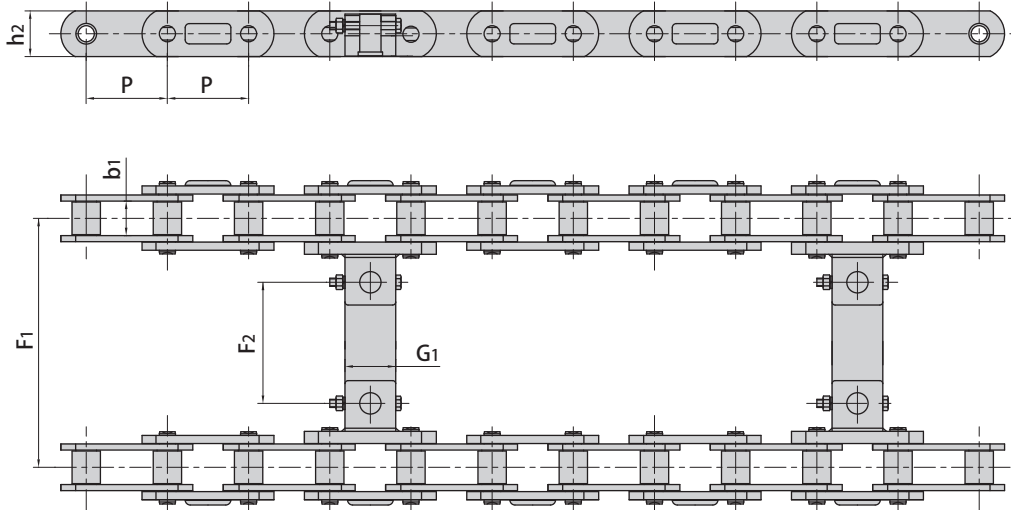


Donghua Chain No.	F	W	G	h ₄	d ₄	d ₅	T ₁
	mm	mm	mm	mm	mm	mm	mm
P80F7	56.4	81.4	50.5	5.0	21.0	8.2	6.2
P80F8	63.0	88.0	50.0	8.0	22.0	10.2	14.2
P80F17	66.3	91.3	50.0	—	24.0	-	15.0
P80F19	56.5	81.5	50.0	6.2	22.0	8.0	8.0
P80F21	57.0	82.0	50.0	—	21.5	-	8.0
*P80F27	56.2	81.5	50.5	—	21.0	-	6.2
P80F29	56.5	81.5	50.0	6.2	22.0	10.0	8.0
P80F45	57.5	80.0	50.0	—	25.0	-	8.0
*P80F51A1	57.0	82.0	50.0	—	20.5	-	8.0

Donghua Chain No.	Pitch	Roller diameter	Width between inner plates	Pin diameter	Pin length		Plate depth	Plate thickness	Ultimate tensile strength	Weight per meter
	P	d ₁ max	b ₁ min	d ₂ max	L max	L _c max	h ₂ max	t/T max	Q min	q
	mm	mm	mm	mm	mm	mm	mm	mm	kN/lbf	kg/m
P80F7	80.0	35.76	35.3	18.00	72.0	76.7	46.00	7.0/6.2	95.0/21370	11.91
P80F8	80.0	27.94	33.8	15.90	68.4	76.0	44.45	6.0/8.0	190.0/42741	10.80
P80F17	80.0	36.00	35.3	18.00	81.0	81.5	45.00	6.0/5.0	195.0/43866	12.90
P80F19	80.0	27.94	33.8	15.90	68.4	75.8	45.00	6.0/8.0	190.0/42741	11.20
P80F21	80.0	27.94	34.0	15.90	78.4	-	45.00	6.0/8.0	190.0/42741	10.70
*P80F27	80.0	26.00	35.3	18.00	72.0	76.7	46.00	7.0/6.2	195.0/43866	9.55
P80F29	80.0	27.94	33.8	15.90	70.4	74.0	45.00	6.0/8.0	190.0/42741	10.80
P80F45	80.0	32.00	35.0	15.90	70.6	78.0	45.00	6.0/8.0	190.0/42741	10.94
*P80F51A1	80.0	26.00	35.0	15.90	69.5	77.0	45.00	6.0/8.0	175.0/39340	10.42

*Bush chain: d₁ in the table indicates the external diameter of the bush.

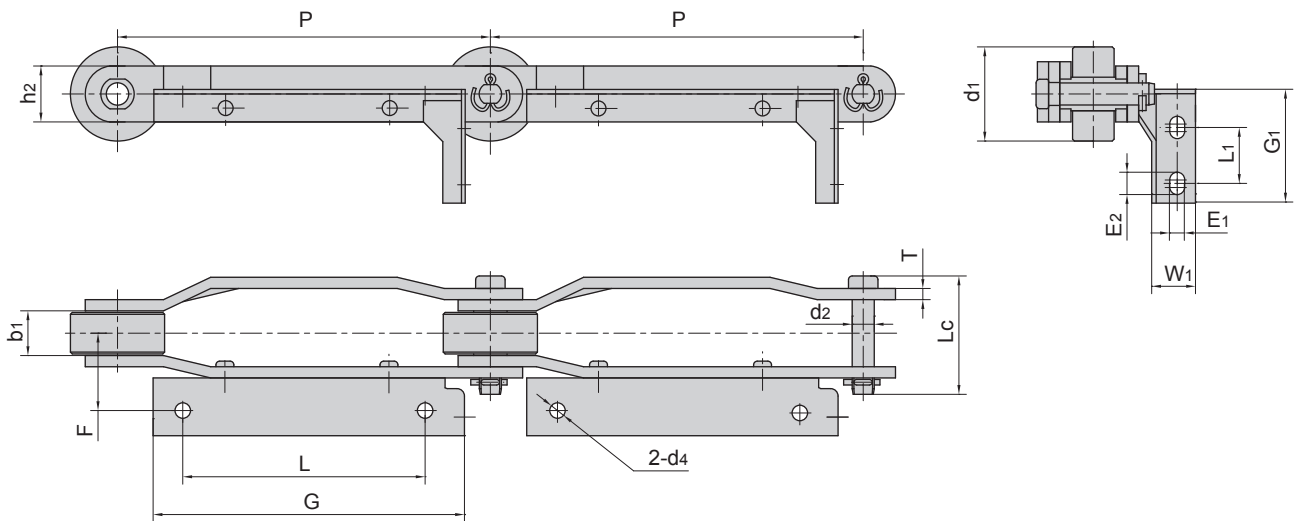
Conveyor chains for crawler asphalt paver



Donghua Chain No.	P	b ₁	h ₂	F ₁	F ₂	G ₁
	mm	mm	mm	mm	mm	mm
P80F8	80.0	33.8	45.0	575.0	449.0	50.0
P80F17	80.0	35.3	45.0	575.0	442.4	50.0
P80F41	80.0	33.8	45.0	509.5	396.5	50.0
P80F27	80.0	35.3	46.0	497.4	385.0	50.0
TPJP80F1	80.0	33.8	45.0	500.0	374.0	50.0
P80F45	80.0	35.0	45.0	540.0	425.0	50.0
TPJP80F3	80.0	33.8	45.0	561.0	448.0	50.0



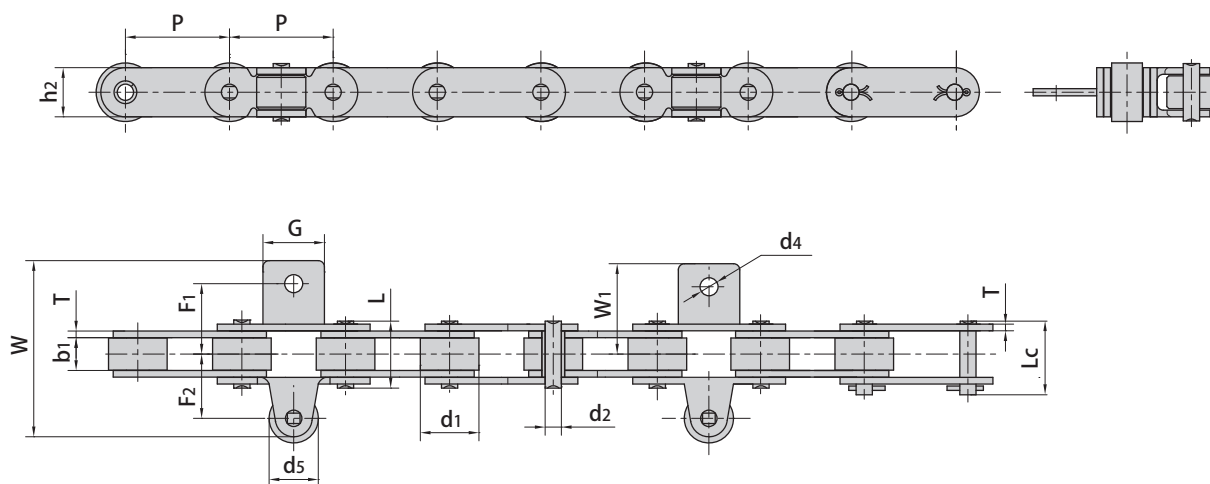
Tobacco conveyor chains



Donghua Chain No.	G	L	F	G ₁	L ₁	W ₁	E ₁	E ₂	d ₄
	mm	mm	mm	mm	mm	mm	mm	mm	mm
P200F74	167.0	130.0	41.5	60.0	30.0	23.0	8.0	12.0	8.0
P203.2F2	170.0	127.0	39.0	62.0	27.0	24.0	6.8	10.8	6.5

Donghua Chain No.	Pitch	Roller diameter	Width between innerplates	Pin diameter	Pin length	Plate depth	Plate thickness	Ultimate tensile strength	Average tensile strength	Weight per meter
	P	d ₁ max	b ₁ min	d ₂ max	L _c max	h ₂ max	T max	Q min	Q ₀	q
	mm	mm	mm	mm	mm	mm	mm	kN/lbf	kN	kg/m
P200F74	200.0	50.0	24.0	11.9	62.0	30.0	6.0	100/22480	110.0	6.1
P203.2F2	203.2	50.5	24.0	11.0	64.6	32.0	6.0	120/26977	130.0	6.2

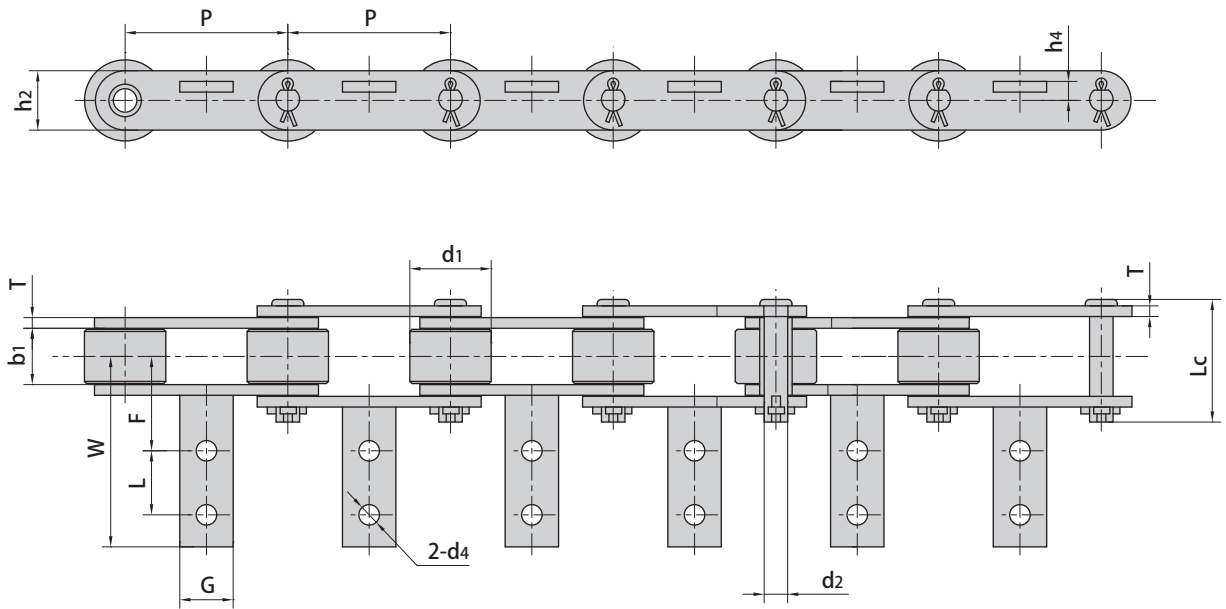
Tobacco conveyor chains



Donghua Chain No.	G	F1	F2	W1	W	d4	d5
	mm	mm	mm	mm	mm	mm	mm
C2082F35	30.0	33.0	32.0	45.7	86.7	8.8	24.0
C2082HF70	30.0	34.0	32.0	44.0	85.0	8.6	24.0

Donghua Chain No.	Pitch	Roller diameter	Width between innerplates	Pin diameter	Pin length		Plate depth	Plate thickness	Ultimate tensile strength	Average tensile strength	Weight per meter
	P	d1 max	b1	d2 max	L max	Lc max	h2 max	T max	Q min	Q0	q
	mm	mm	mm	mm	mm	mm	mm	mm	kN/lbf	kN	kg/m
C2082F35	50.8	28.58	15.75	7.92	32.7	36.5	24.0	3.25	55.6/12500	60.0	3.37
C2082HF70	50.8	28.58	15.75	7.92	36.2	38.9	24.0	4.00	55.6/12500	60.0	3.31

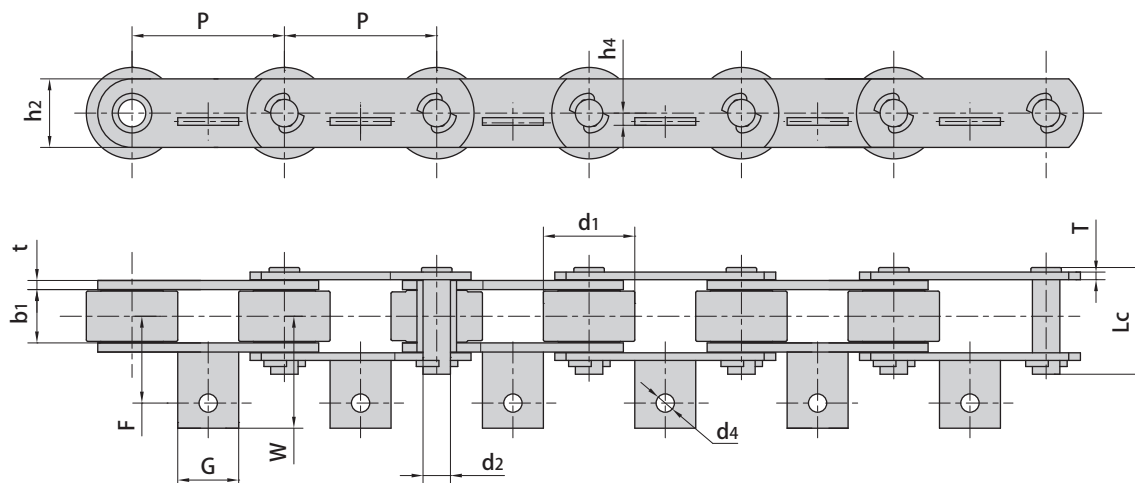
Tobacco conveyor chains



Donghua Chain No.	G	L	F	W	h4	d4
	mm	mm	mm	mm	mm	mm
P76.2F30	25.0	31.8	44.5	89.8	9.0	9.7

Donghua Chain No.	Pitch	Roller diameter	Width between innerplates	Pin diameter	Pin length	Plate depth	Plate thickness	Ultimate tensile strength	Average tensile strength	Weight per meter
	P	d1 max	b1 min	d2 max	Lc max	h2 max	T max	Q min	Q0	q
	mm	mm	mm	mm	mm	mm	mm	kN/lbf	kN	kg/m
P76.2F30	76.2	38.0	24.0	11.0	55.0	28.7	5.0	75/16860	80.0	5.67

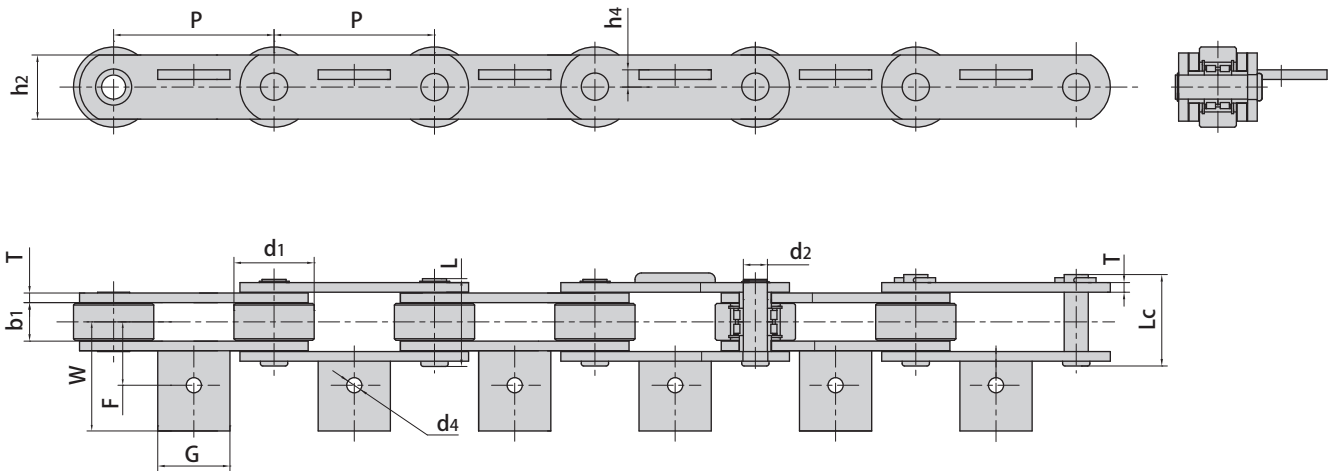
Tobacco conveyor chains



Donghua Chain No.	G	F	W	h_4	d_4
	mm	mm	mm	mm	mm
P100F74	40.0	55.0	73.0	8.0	12.0

Donghua Chain No.	Pitch	Roller diameter	Width between innerplates	Pin diameter	Pin length	Plate depth	Plate thickness	Ultimate tensile strength	Average tensile strength	Weight per meter
	P	d_1 max	b_1 min	d_2 max	L_c max	h_2 max	T max	Q min	Q_0	q
	mm	mm	mm	mm	mm	mm	mm	kN/lbf	kN	kg/m
P100F74	100.0	60.0	34.0	18.0	69.0	45.0	6.0/5.0	140/31470	150.0	13.8

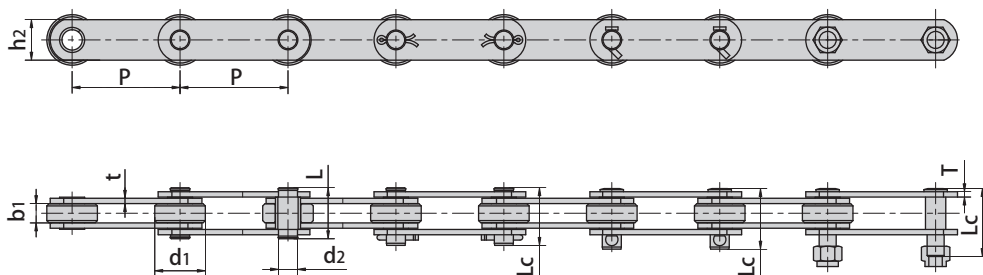
Tobacco conveyor chains



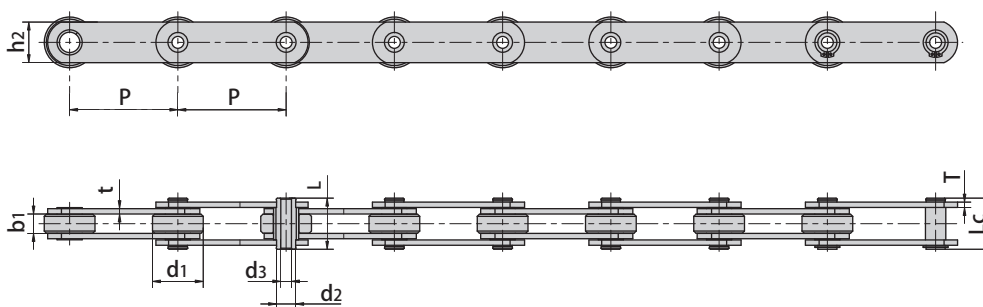
Donghua Chain No.	G	F	W	h4	d4
	mm	mm	mm	mm	mm
P200F33	90.0	79.0	136.0	21.5	14.0

Donghua Chain No.	Pitch	Roller diameter	Width between innerplates	Pin diameter	Pin length	Pin length	Plate depth	Plate thickness	Ultimate tensile strength	Average tensile strength	Weight per meter
	P	d1 max	b1 min	d2 max	L max	Lc max	h2 max	T max	Q min	Q0	q
	mm	mm	mm	mm	mm	mm	mm	mm	kN/lbf	kN	kg/m
P200F33	200.0	100.0	48.0	30.0	107.0	112.0	80.0	12.0	648/145670	680.0	37.8

Palm oil chains



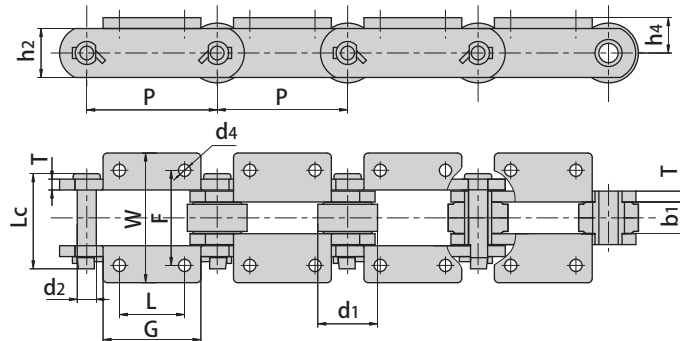
Donghua Chain No.	Pitch	Roller diameter	Width between inner plates	Plate depth	Pin diameter	Pin length		Plate thickness	Ultimate tensile strength	Average tensile strength	Weight per meter
	P	d1 max	b1 min	h2 max	d2 max	L max	Lc max	t/T max	Q min	Q0	q
	mm	mm	mm	mm	mm	mm	mm	mm	kN/lbf	kN	kg/m
P101.6F2	101.6	47.6	18.2	38.1	19.10	48.0	65.0	5.0	97.8/22000	107.58	6.75
P152F14	152.4	47.6	18.2	38.1	19.10	48.0	52.0/50.5	5.0	89/20000	97.90	5.66
P152F17	152.4	66.7	25.4	50.8	27.00	67.5	88.5	8.0	163.3/36000	179.60	12.83
P152F29	152.4	66.7	25.4	50.8	27.00	69.5	111.5	9.0/8.0	200/45000	220.00	13.54
90R-S	101.6	47.6	21.4	31.8	11.32	-	55.7	4.8	80.36/18070	88.40	5.90
P101.6F64	101.6	50.8	30.0	38.1	14.50	-	69.0	6.3	132.7/29850	146.00	7.30
P76.7	76.7	29.0	30.0	38.1	14.50	-	73.0	6.3	100/25000	110.00	8.25
P152F31	152.4	88.9	38.1	61.0	31.80	-	98.5	10.0	266.72/60000	293.00	26.60



Donghua Chain No.	Pitch	Roller diameter	Width between inner plates	Plate depth	Pin diameter		Pin length		Plate thickness	Ultimate tensile strength	Average tensile strength	Weight per meter
	P	d1 max	b1 min	h2 max	d2 max	d3 min	L max	Lc max	t/T max	Q min	Q0	q
	mm	mm	mm	mm	mm	mm	mm	mm	mm	kN/lbf	kN	kg/m
P152F3	152.4	66.7	25.4	50.8	27.0	20.1	65.5	67.0	8.0	163.3/36000	179.6	11.73

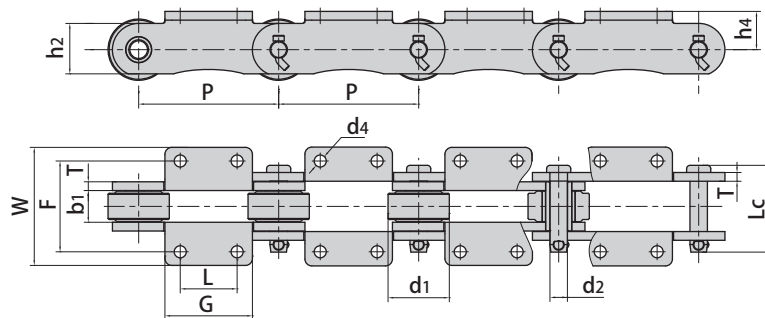
Sugar mill chains

CONVEYOR CHAINS



Donghua Chain No.	P	G	L	F	W	h4	d4
	mm	mm	mm	mm	mm	mm	mm
DH 9063	152.4	114.3	76.2	111.13	165.86	44.45	14.3
DH 2198	152.4	114.3	76.2	111.25	152.40	41.40	14.3
P152F93K2	152.4	110.0	76.2	111.00	146.00	44.50	14.3
P152F78K2	152.4	114.3	76.2	111.00	165.00	41.30	14.0

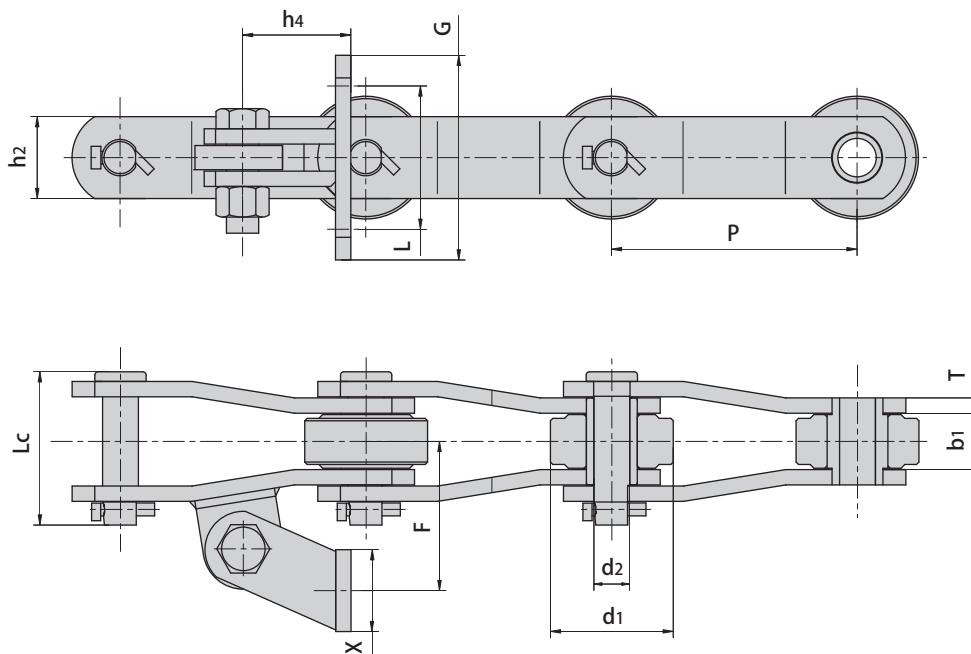
Donghua Chain No.	Pitch	Roller diameter	Width between inner plates	Pin diameter	Pin length	Plate depth	Plate thickness	Ultimate tensile strength	Average tensile strength	Weight per meter
	P	d1 max	b1 min	d2 max	Lc max	h2 max	T max	Q min	Q0	q
	mm	mm	mm	mm	mm	mm	mm	kN/lbf	kN	kg/m
DH 9063	152.4	76.20	38.1	23.83	103.2	61.00	10.30	445.0/100000	489.0	27.5
DH 2198	152.4	69.85	38.1	22.23	111.2	57.15	12.70	404.5/91000	445.0	27.9
P152F93K2	152.4	76.20	37.6	22.23	97.1	57.20	9.52	376.0/84500	410.0	26.2
P152F78K2	152.4	69.85	37.6	22.23	97.1	57.20	9.52	376.0/84500	410.0	26.2



Donghua Chain No.	P	G	L	F	W	h4	d4
	mm	mm	mm	mm	mm	mm	mm
SM203.2F3K2	203.2	152.4	82.6	131.76	182.6	55.5	19.05
SM203.2F4K2	203.2	127.0	82.6	131.76	171.4	55.5	17.50
SM203.2F5K2	203.2	152.4	82.6	133.80	191.0	54.5	19.05

Donghua Chain No.	Pitch	Roller diameter	Width between inner plates	Pin diameter	Pin length	Plate depth	Plate thickness	Ultimate tensile strength	Average tensile strength	Weight per meter
	P	d1 max	b1	d2 max	Lc max	h2 max	T max	Q min	Q0	q
	mm	mm	mm	mm	mm	mm	mm	kN/lbf	kN	kg/m
SM203.2F3K2	203.2	88.9	46.0	25.32	126.0	71.4	12.7	520/116900	545.0	37.7
SM203.2F4K2	203.2	88.9	46.0	25.32	126.0	73.2	12.7	585/131513	614.0	35.9
SM203.2F5K2	203.2	88.9	46.0	25.32	126.0	70.0	12.7	480/107908	504.0	37.6

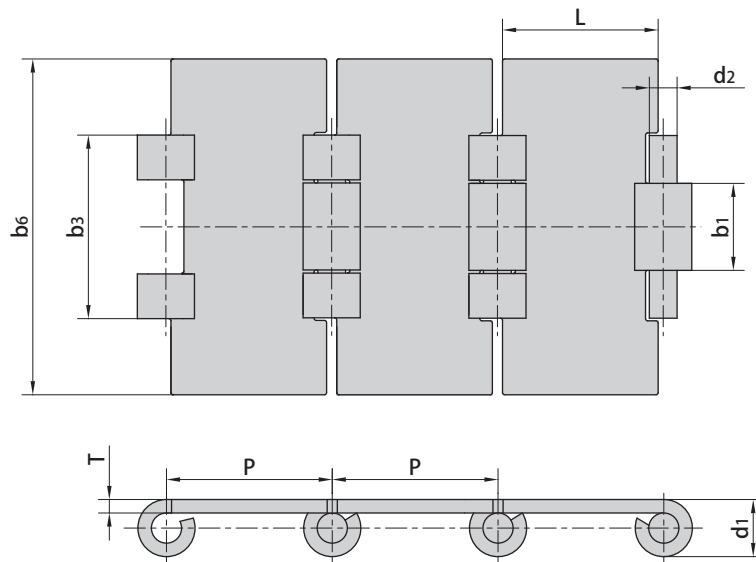
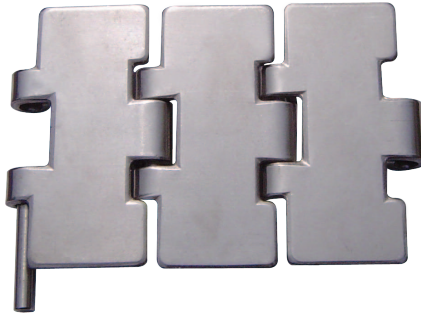
Sugar mill chains



Donghua Chain No.	P	G	L	F	X	h4
	mm	mm	mm	mm	mm	mm
DH 09060	152.4	114.3	82.6	88.9	50.8	111.25
DH 1796	152.4	114.3	82.6	88.9	50.8	111.25
P152F77-AS2	152.4	127.0	88.9	92.1	50.8	66.80
P203.2F9	203.2	127.0	88.9	107.1	50.8	66.80

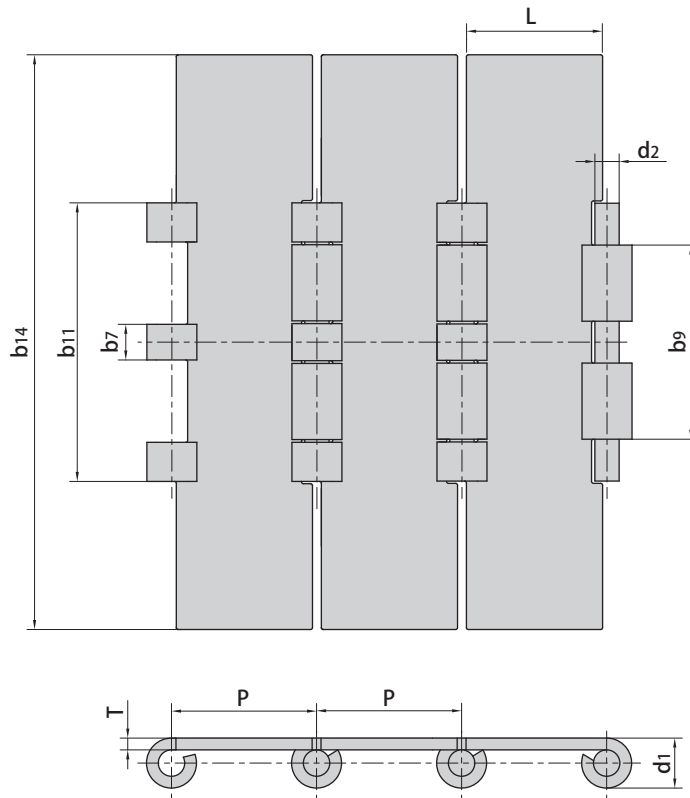
Donghua Chain No.	Pitch	Roller diameter	Width between inner plates	Pin diameter	Pin length	Plate depth	Plate thickness	Ultimate tensile strength	Average tensile strength
	p	d1 max	b1 min	d2 max	Lc max	h2 max	T max	Q min	Q0
	mm	mm	mm	mm	mm	mm	mm	kN/lbf	kN
DH 09060	152.4	69.85	38.1	19.05	96.6	50.80	9.65	270/60740	297.0
DH 1796	152.4	69.85	38.1	22.35	100.0	57.15	9.65	445/100100	489.5
P152F77-AS2	152.4	76.20	34.5	22.23	95.1	50.80	9.52	263/59120	280.0
P203.2F9	203.2	88.90	46.0	25.40	118.2	69.90	12.70	615/138257	640.0

Flat-top conveyor chains



Donghua Chain No.	P	b ₆ max	d ₁ max	d ₂ max	T max	L	b ₁ max	b ₃ max	Ultimate tensile strength		Weight per meter
									300 Series	400 Series	
									kN min	kN min	
mm	mm	mm	mm	mm	mm	mm	mm	mm	kN min	kN min	kg/m
C12S	38.1	76.2	13.13	6.38	3.35	37.28	20	42.05	8.00	6.25	2.39
C13S		82.6									2.55
C14S		88.9									2.70
C16S		101.6									2.99
C18S		114.3									3.29
C24S		152.4									4.17
C30S		190.5									5.06

Flat-top conveyor chains



Donghua Chain No.	P	b ₁₄ max	d ₁ max	d ₂ max	T max	L	b ₉ max	b ₁₁ max	Ultimate tensile strength		Weight per meter
									300 Series	400 Series	
									kN min	kN min	
C30D	38.1	190.5	13.13	6.38	3.35	13.5	53.5	80.5	16.00	12.50	5.87